

**DIAMOND
PRODUCTS**

CONCRETE SAW

PARTS LIST

**MODEL
CC1300XL
(Gas)**

May 2011

Part #1801801

GENERAL SAFETY WARNINGS AND PRECAUTIONS

PERSONAL SAFETY

- Read and understand all operating instructions before attempting to operate the saw.
- Always wear safety approved hearing, eye, head and respiratory protection.
- Always wear sturdy boots with non-slip soles to ensure proper footing. Use of steel toed safety boots is recommended.
- Due to the nature of concrete cutting, sparks may be generated therefore never wear clothing that is made of flammable material.
- Know how to stop the saw quickly in case of emergency.
- Keep all parts of your body away from the blade and all other moving parts.
- Use caution and follow all instructions when loading and unloading the saw.

BLADE SAFETY

- Examine cutting blades before each use. Blade should have no cracks, nick, or flaws. The center hole must be undamaged. Use only blades recommended for your particular model saw.
- The saw should only be used for cutting material that is specified on each cutting blade. Read the instructions provided with each blade to determine which material the blade is designed to cut.
- Use only reinforced abrasive blades or steel centered diamond blades manufactured for use on concrete saws.
- Inspect blade flanges for damage, excessive wear and cleanliness before mounting the blade. The blade must fit snugly on the clean, undamaged blade shaft.
- Observe the specified maximum speed of the blade. Never use a blade that has a lower maximum operating speed than the blade shaft speed.
- The ignition governor is designed to limit the maximum no-load engine speed. Speeds in excess of that may cause the blade to exceed the maximum blade speed. Do not operate the unit at speeds greater than the maximum blade speed.
- Always keep guards in place and never allow the blade exposure on the guard to exceed 180 degrees. Repair or replace damaged guards immediately.
- Never expose anyone to the direct line of the blade.
- Make sure that the blade does not come in contact with the ground or any other surface when transporting the saw.

GENERAL SAW SAFETY

- The saw must never be left unattended when the engine is running.
- Keep both hands on the handles when operating the saw.
- Never operate the saw if there is a fuel leak.
- Use extreme caution and slow speed when using the self propelled drive to move the saw up or down ramps or when loading and unloading from trucks or trailers. When going down ramps, DRIVE the saw forward slowly. When going up ramps, BACK the saw in reverse slowly.

CUTTING / WORK AREA SAFETY

- Never operate the saw in any application or job in which you are not trained or supervised.
- Always ensure that the work area does not contain any buried or embedded electrical lines, gas lines or water lines. Ensure that all electricity in the ground, floor, walls or ceilings is shut off prior to cutting. Ensure that all gas and water lines that may be buried or embedded in the ground, floor, walls or ceilings are shut off prior to cutting.
- Operate the saw only in well ventilated areas. Engine exhaust contains carbon monoxide which can cause loss of consciousness and death.
- Keep bystanders and animals out of the work area.
- Observe all safety regulations for the safe handling of fuel. Store fuel in appropriate safety containers. Shut off the engine and allow it to cool prior to fueling. Wipe off any spilled fuel. Always move away from the fueling area prior to starting saw.
- Do not operate the saw in areas which contain combustible material or fumes. Sparks may occur from cutting that could cause a fire or explosion.

Concrete cutting as all construction work is inherently dangerous!

Failure to comply with the preceding warnings could result in serious bodily injury!

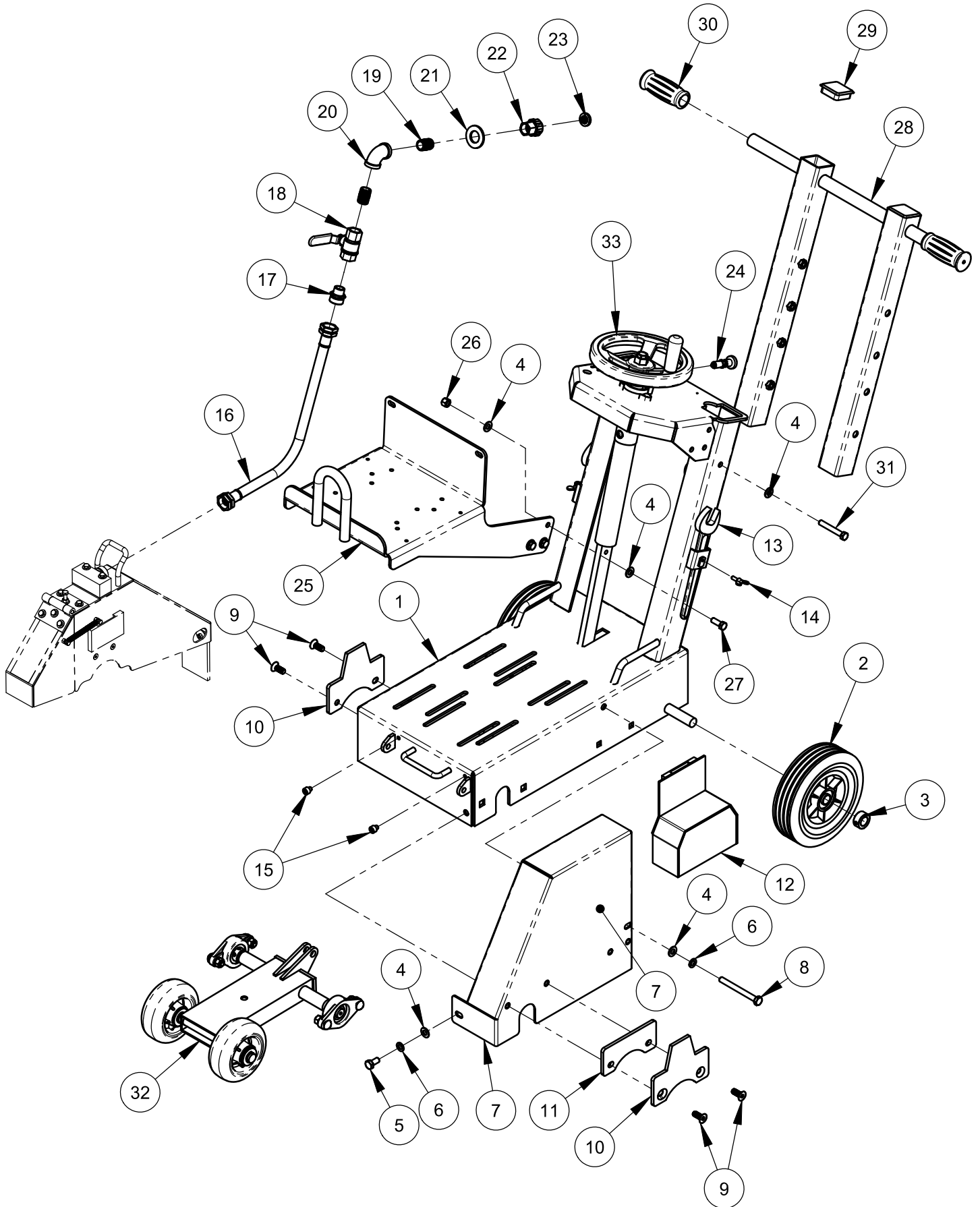
Table of Contents

<u>Description</u>	<u>Page No.</u>
Common Parts.....	4 - 5
Front Axle Assembly.....	6
Screw Feed Assembly.....	7
Engine Group – 8 Horsepower Honda.....	8 - 9
Engine Group – 11 Horsepower Honda.....	10 - 11
Engine Group – 11 Horsepower Honda for 20" Guard.....	12 - 13
Engine Group – 9 Horsepower Robin.....	14 - 15
Blade Shaft Assembly.....	16
14" Blade Guard Assembly.....	17
18" Blade Guard Assembly.....	18
20" Blade Guard Assembly.....	19
Pointer Assembly.....	20
Water Tank Option Group.....	21
Notes.....	22
Warranty.....	24

Quick Reference Service: Filters & Belts

<u>DP Part No.</u>	<u>Description</u>	<u>Manufacturer's Part No.</u>
2702018	Air Filter for 8 & 11 HP Honda	(Honda #17210-ZE3-505)
2704122	Air Filter for 9 HP Robin	(Robin #279-32607-07)
2704148	Fuel Filter for 9 HP Robin	(Robin #064-13600-10)
2500034	Belt for 8 HP Honda & 9 HP Robin	(Gates #3VX315)
	& 11 HP Honda with 20" Blade Guard	
2500380	Belt for 11 HP Honda	(Gates #3VX300)

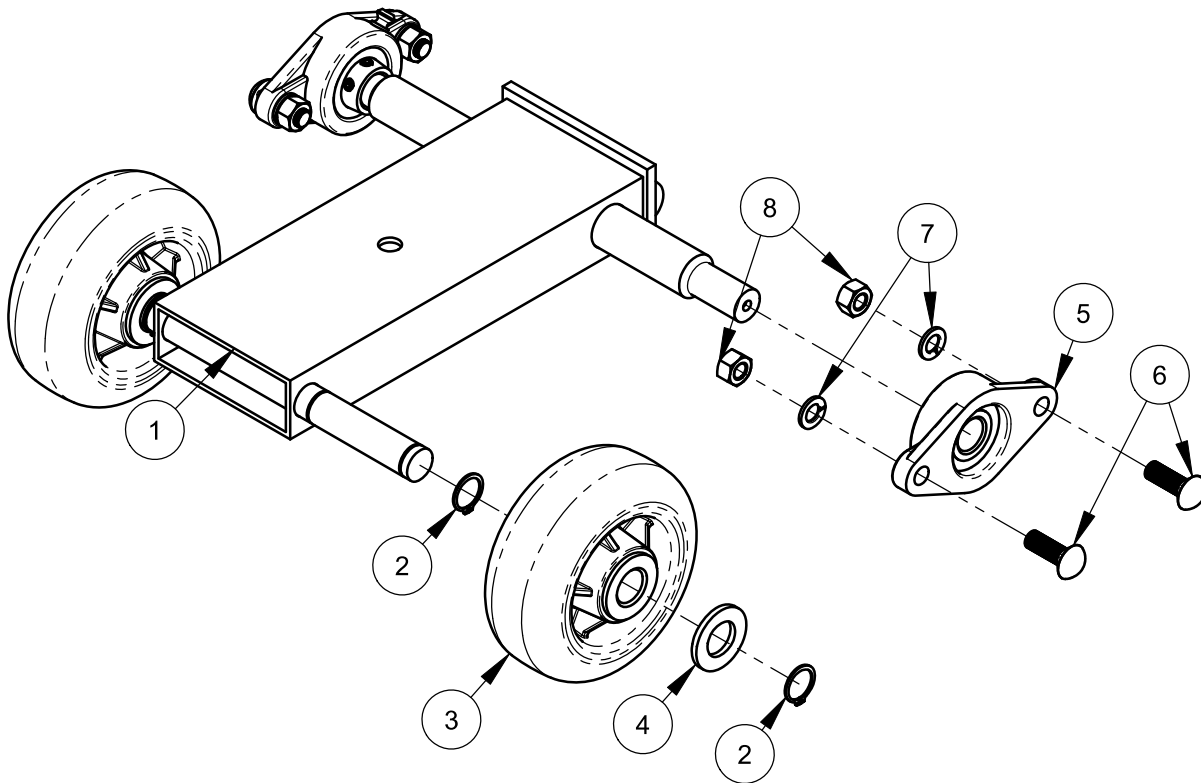
CC1300XL Common Parts



CC1300XL Common Parts - 6090147 (Regular Cut)
- 6048877 (Upcut)

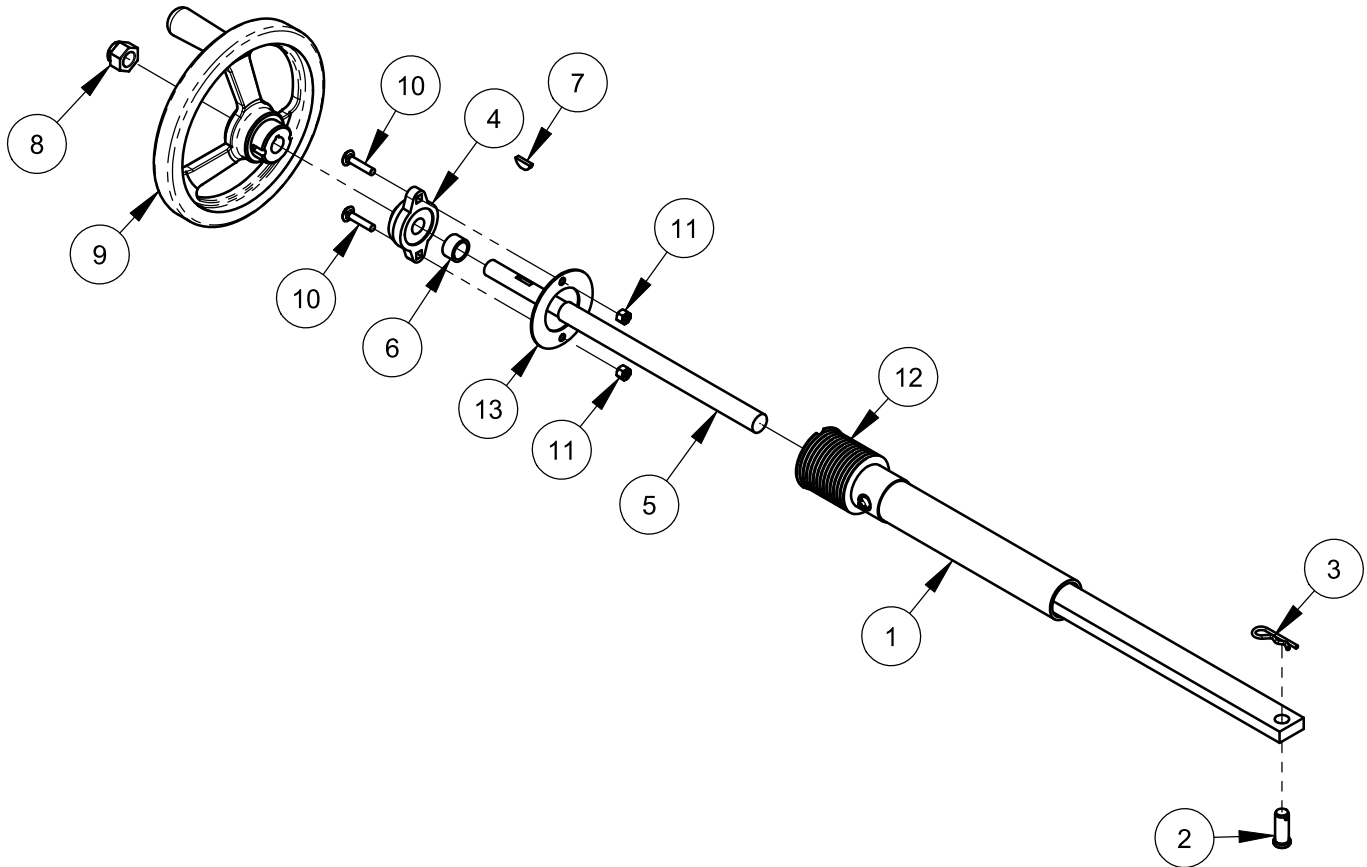
ITEM	PART NO.	QTY.	DESCRIPTION
1	6048181	1	Frame Weldment (Regular Cut)
	6048269	1	Frame Weldment (Upcut)
2	2501439	2	Wheel, 8 x 2 x 3/4"
3	2400615	2	Set Collar, 3/4"
4	2900014	16	Flat Washer, 3/8" SAE
5	2900314	1	Cap Screw, Hex Hd., M10-1.5 x 20mm
6	2900321	2	Lock Washer, M10 Split
7	6048001	1	Belt Guard (Regular Cut)
	6048149	1	Belt Guard (Upcut)
8	2900320	1	Cap Screw, Hex Hd., M10-1.5 x 100mm
9	2900744	4	Capscrew, Flat Hd., M10 x 25mm
10	6048908	2	Tapered Guard Mount
11	6048915	1	Tapered Guard Mount Spacer
12	6048906	1	Shaft Guard
13	2500256	2	Wrench Head
14	2900307	2	Wing Screw, M6 x 16mm
15	2900980	2	Capscrew, Soc. Hd., M8 X 10mm
16	6011055	1	Water Hose Assembly, 30" Long
17	3200155	1	Fitting, 1/2" M. Pipe to 3/4" M. Garden
18	3200027	1	Water Valve
19	3200008	2	Close Nipple, 1/2" NPT
20	3200209	1	Pipe Elbow, 1/2" Female
21	2900425	1	Flat Washer, 7/8" SAE
22	3200022	1	Fitting, 1/2" F. Pipe to 3/4" F. Garden
23	3200025	1	Hose Filter Washer
24	2400138	1	Indexing Plunger 1/2-13
25	6030318	1	Lift Bar Assembly
26	2900018	6	Lock Nut, 3/8-16 Nylon
27	2900005	6	Cap Screw, Hex Hd., 3/8-16 x 1"
28	6040213	1	Sliding Handle Weldment
29	2501441	2	Cap, 2" Sq. Tube
30	2500636	2	Handle Grip
31	2900596	2	Cap Screw, Hex Hd., 3/8-16 x 2-1/2"
32	6048184	1	Front Axle Assembly
33	6048183	1	Screw Feed Assembly

Front Axle Assembly: 6048184



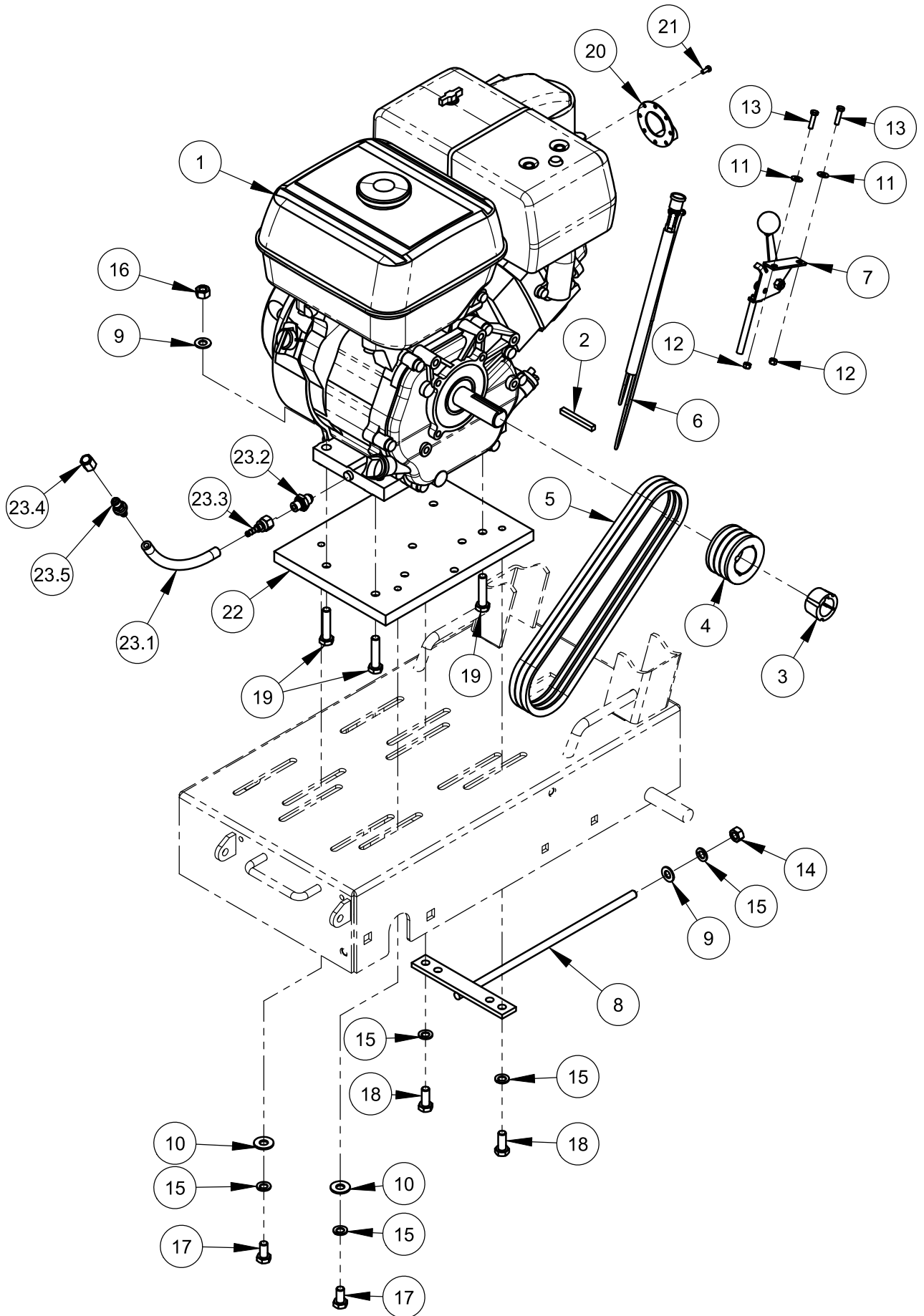
ITEM	PART NO.	QTY.	DESCRIPTION
1	6040212	1	Front Axle Weldment
2	2501186	4	Retaining Ring, External 3/4"
3	2500005	2	Wheel, 5" x 2" x 3/4"
4	2900003	2	Flat Washer, 3/4" SAE
5	2500011	2	Flg Mnt Brg 3/4" Peer UCFT204-12-90
6	2900046	4	Carriage Bolt, 3/8"-16 X 1-1/4"
7	2900321	4	Lock Washer, M10 Split
8	2900304	4	Lock Nut, M10 Nylon

Screw Feed Assembly #6048183



ITEM	PART NO.	QTY	DESCRIPTION
1	6047928	1	Adjustment Shaft W/Grease Fitting
2	2900266	1	Clevis Pin, 1/2 x 1-1/4"
3	2900276	1	Hairpin Cotter, 1/8" x 1/2" to 3/4"
4	2500807	1	Bearing, 5/8", Two Bolt Flange
5	6047929	1	Adjustment Screw
6	6047931	1	Spacer Tube 7/8 x 1/2
7	2900352	1	Woodruff Key, 5/32 x 3/4, #506
8	2900355	1	Lock Nut, 5/8-18, Flex Top
9	2500800	1	Handwheel, 8" x 5/8"
10	2900373	2	Carriage Bolt, 1/4-20 x 1-1/4", GR5
11	2900010	2	Lock Nut, 1/4-20 Nylon
12	6048036	1	Bellow, 8" Long
13	6048038	1	Bellow Mount Washer

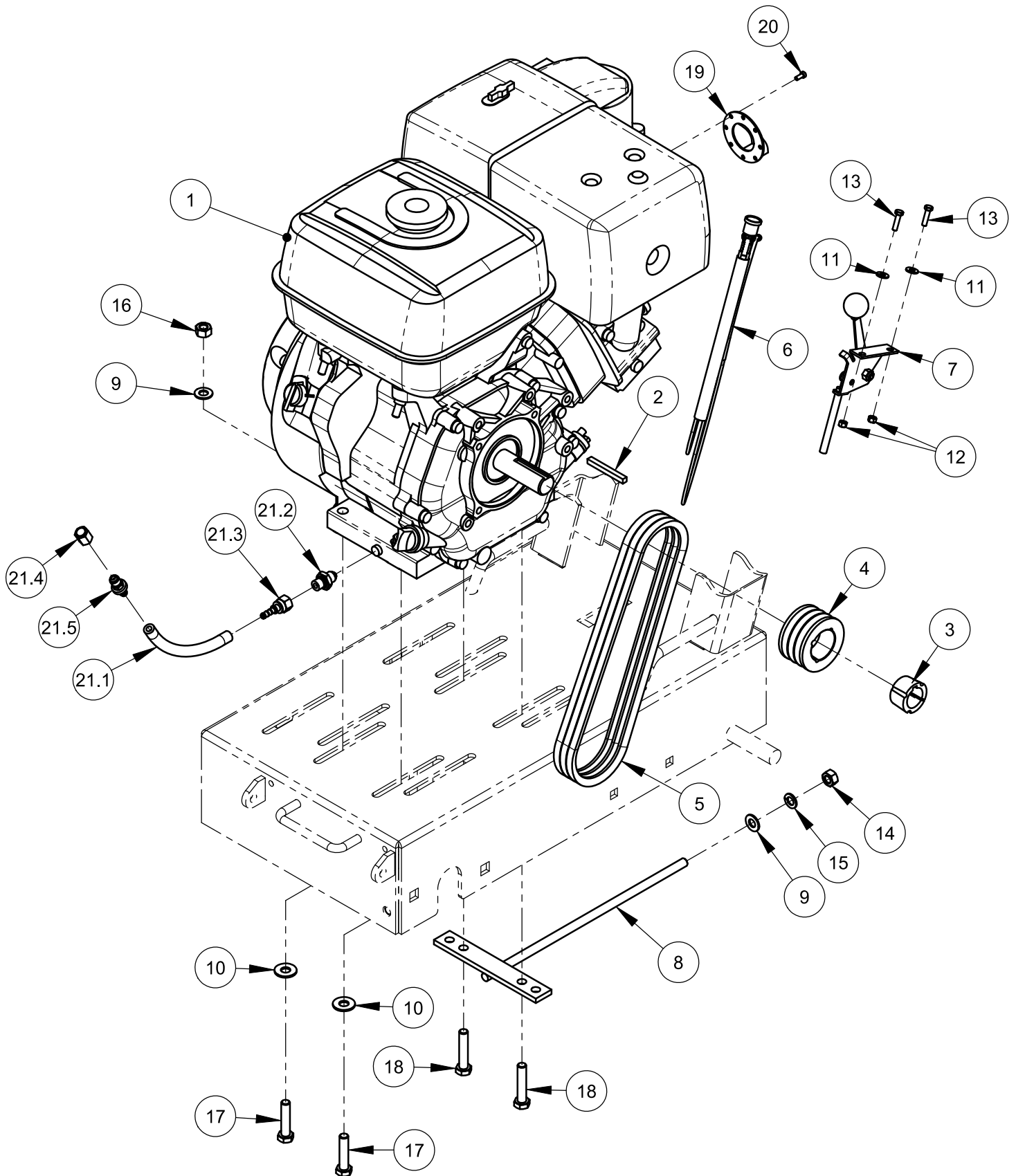
CC1309XL Honda 8HP Engine Assembly, #6049070



CC1309XL Honda 8HP Engine Assembly, #6049070

ITEM	PART NO.	QTY.	DESCRIPTION
1	2600160	1	8.0 HP Honda Engine GX270
2	6048134	1	Key, 1/4" Sq. x 2-1/4"
3	2500026	1	Taper Bushing, 1" w/ Set Screws
4	2500022	1	Sheave, 2.65 - 3 Groove
5	2500034	3	V-Belt, 3VX315
6	6048789	1	Wire Harness, Stop Switch (Gas Saw Only)
7	2501565	1	Throttle Control, 15"
8	6040261	1	Belt Adjustment Weldment
9	2900014	5	Flat Washer, 3/8" SAE
10	2900473	2	Flat Washer, 3/8" USS
11	2900016	2	Flat Washer, #10 USS
12	2900301	2	Lock Nut, M5-0.8 Nylon Insert
13	2900309	2	Cap Screw, Hex Hd., M5-0.8 x 20mm
14	2900325	1	Hex Nut, M10
15	2900321	5	Lock Washer, M10 Split
16	2900304	4	Lock Nut, M10-1.5 Nylon Insert
17	2900314	2	Cap Screw, Hex Hd., M10-1.5 x 20mm
18	2900333	2	Cap Screw, Hex Hd., M10-1.5 x 25mm
19	2900317	4	Cap Screw, Hex Hd., M10-1.5 x 45mm
20	2700554	1	Muffler Deflector, 11-13 HP Honda
21	2900206	8	Screw, Self Tapping, #8-32 x 3/8"
22	6048186	1	CC1300 Adaptor Plate
23	6048029	1	Oil Drain Assembly
23.1	6048289	1	1/4" x 6.00" Oil Drain Hose
23.2	3200539	1	Adapter, M12 x 1.5 M to 5/16" Male JIC
23.3	3200540	1	Fitting, 5/16" F. JIC to 1/4" Pushlock
23.4	3200006	1	Cap, 1/4" JIC
23.5	3200040	1	Fitting, 1/4" M. JIC to 1/4" Push Lock

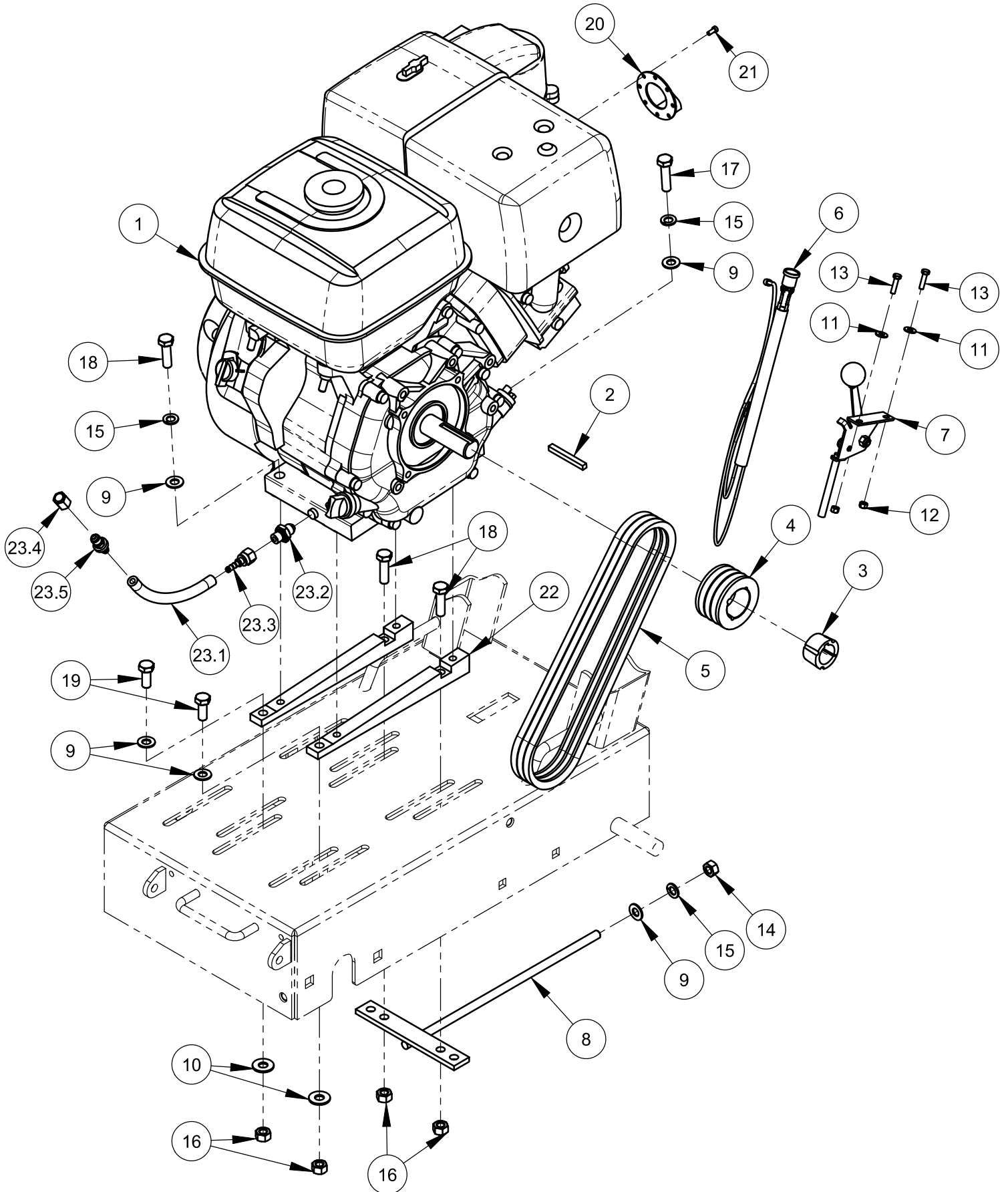
CC1313XL Honda 11HP Engine Assembly, #6049072



CC1313XL Honda 11HP Engine Assembly, #6049072

ITEM	PART NO.	QTY.	DESCRIPTION
1	2600116	1	Engine, 11 HP Honda GX390
2	6048134	1	Key, 1/4" Sq. x 2-1/4"
3	2500026	1	Taper Bushing, 1" w/ Set Screws
4	2500022	1	Sheave, 2.65 - 3 Groove
5	2500380	3	V-Belt, 3VX300
6	6048789	1	Wire Harness, Stop Switch (Gas Saw Only)
7	2501565	1	Throttle Control, 15"
8	6040261	1	Belt Adjustment Weldment
9	2900014	5	Flat Washer, 3/8" SAE
10	2900473	2	Flat Washer, 3/8" USS
11	2900016	2	Flat Washer, #10 USS
12	2900301	2	Lock Nut, M5-0.8 Nylon Insert
13	2900309	2	Cap Screw, Hex Hd., M5-0.8 x 20mm
14	2900325	1	Hex Nut, M10
15	2900321	1	Lock Washer, M10 Split
16	2900304	4	Lock Nut, M10-1.5 Nylon Insert
17	2900317	2	Cap Screw, Hex Hd., M10-1.5 x 45mm
18	2900318	2	Cap Screw, Hex Hd., M10-1.5 x 50mm
19	2700554	1	Muffler Deflector, 11-13 HP Honda
20	2900206	8	Screw, Self Tapping, #8-32 x 3/8"
21	6048029	1	Oil Drain Assembly
21.1	6048289	1	1/4" x 6.00" Oil Drain Hose
21.2	3200539	1	Adapter, M12 x 1.5 M to 5/16" Male JIC
21.3	3200540	1	Fitting, 5/16" F. JIC to 1/4" Pushlock
21.4	3200006	1	Cap, 1/4" JIC
21.5	3200040	1	Fitting, 1/4" M. JIC to 1/4" Push Lock

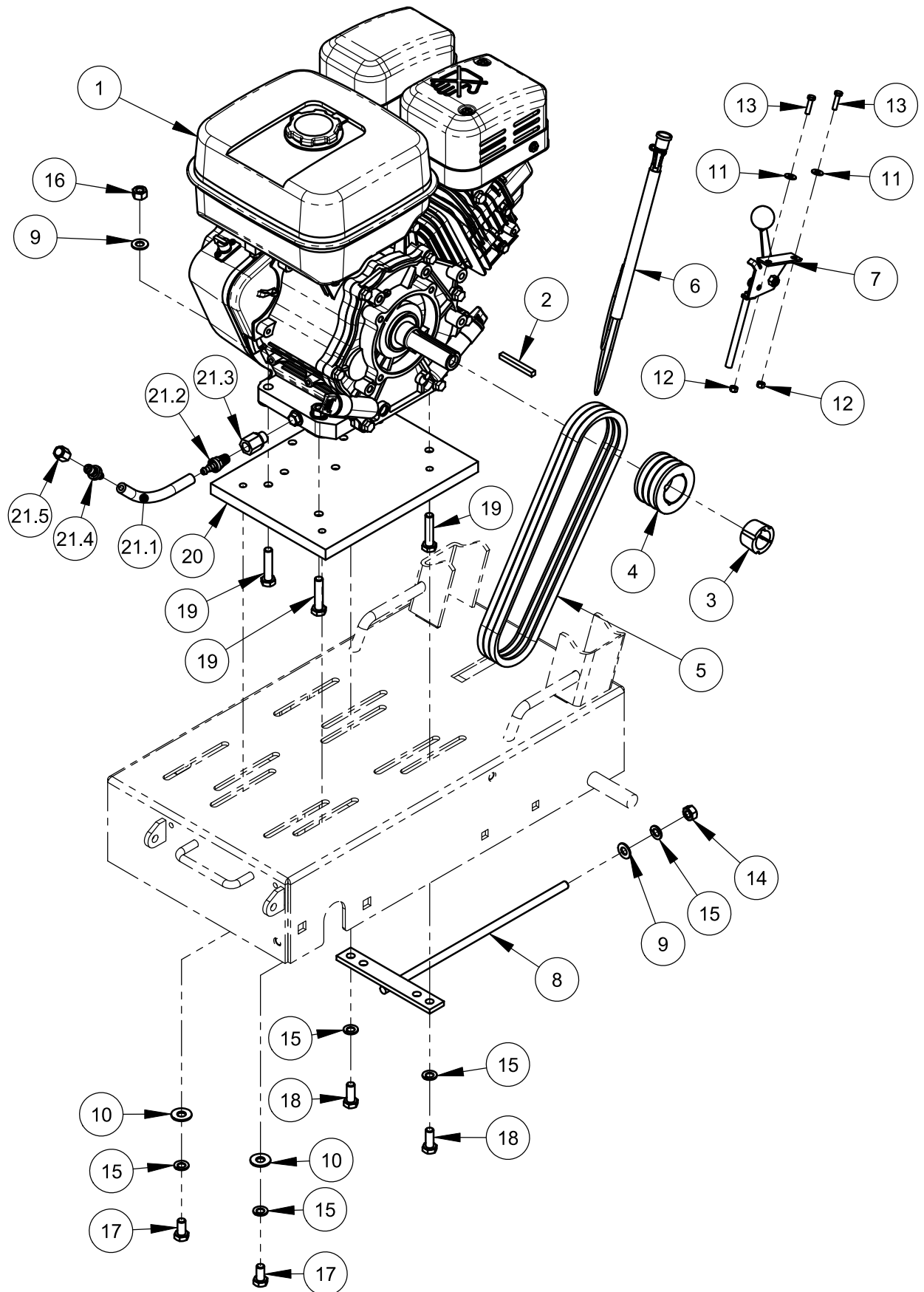
CC1313XL Honda 11HP Engine Assembly
For 20" Blade Guard #6049073



CC1313XL Honda 11HP Engine Assembly
For 20" Blade Guard #6049073

ITEM	PART NO.	QTY.	DESCRIPTION
1	2600116	1	Engine,11 HP Honda GX390
2	6048134	1	Key, 1/4" Sq. x 2-1/4"
3	2500026	1	Taper Bushing, 1" w/ Set Screws
4	2500022	1	Sheave, 2.65 - 3 Groove
5	2500034	3	V-Belt, 3VX315
6	6048789	1	Wire Harness, Stop Switch (Gas Saw Only)
7	2501565	1	Throttle Control, 15"
8	6040261	1	Belt Adjustment Weldment
9	2900014	7	Flat Washer, 3/8" SAE
10	2900473	2	Flat Washer, 3/8" USS
11	2900016	2	Flat Washer, #10 USS
12	2900301	2	Lock Nut, M5-0.8 Nylon Insert
13	2900309	2	Cap Screw, Hex Hd., M5-0.8 x 20mm
14	2900325	1	Hex Nut, M10
15	2900321	5	Lock Washer, M10 Split
16	2900304	4	Lock Nut, M10-1.5 Nylon Insert
17	2900316	2	Cap Screw, Hex Hd., M10-1.5 x 40mm
18	2900315	4	Cap Screw, Hex Hd., M10-1.5 x 35mm
19	2900333	2	Cap Screw, Hex Hd., M10-1.5 x 25mm
20	2700554	1	Muffler Deflector, 11-13 HP Honda
21	2900206	8	Screw, Self Tapping, #8-32 x 3/8"
22	6043196	2	Motor Mount Wedge
23	6048029	1	Oil Drain Assembly
23.1	6048289	1	1/4" x 6.00" Oil Drain Hose
23.2	3200539	1	Adapter, M12 x 1.5 M to 5/16" Male JIC
23.3	3200540	1	Fitting, 5/16" F. JIC to 1/4" Pushlock
23.4	3200006	1	Cap, 1/4" JIC
23.5	3200040	1	Fitting, 1/4" M. JIC to 1/4" Push Lock

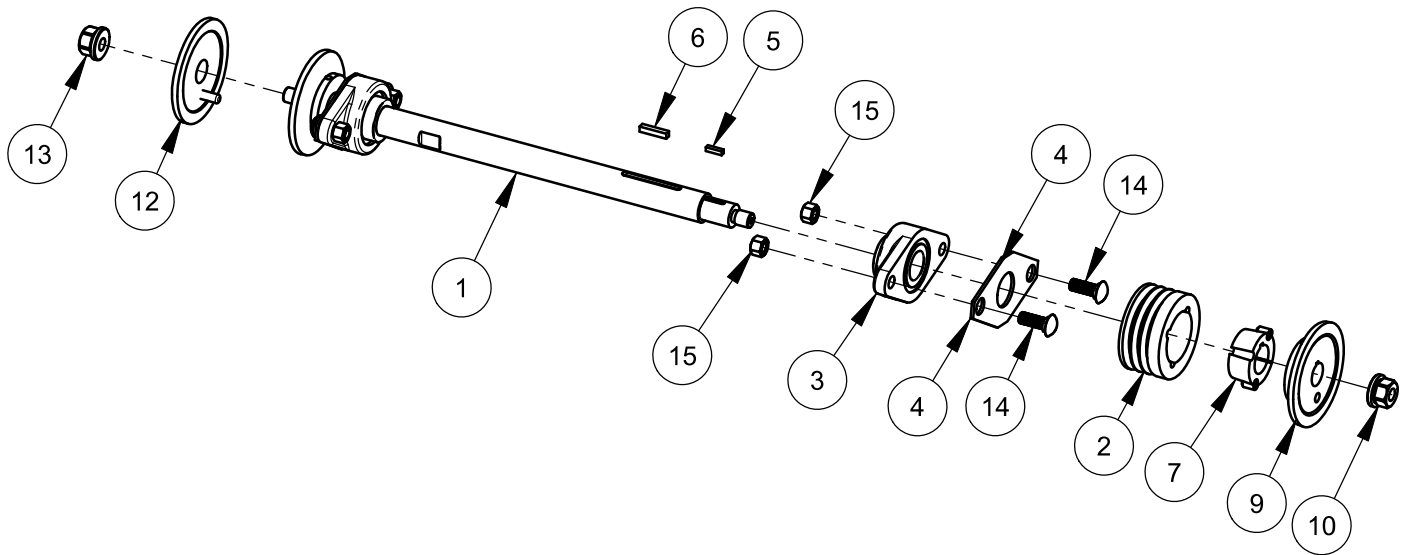
CC1309XL Robin 9HP Engine Assembly, #6049071



CC1309XL Robin 9HP Engine Assembly, #6049071

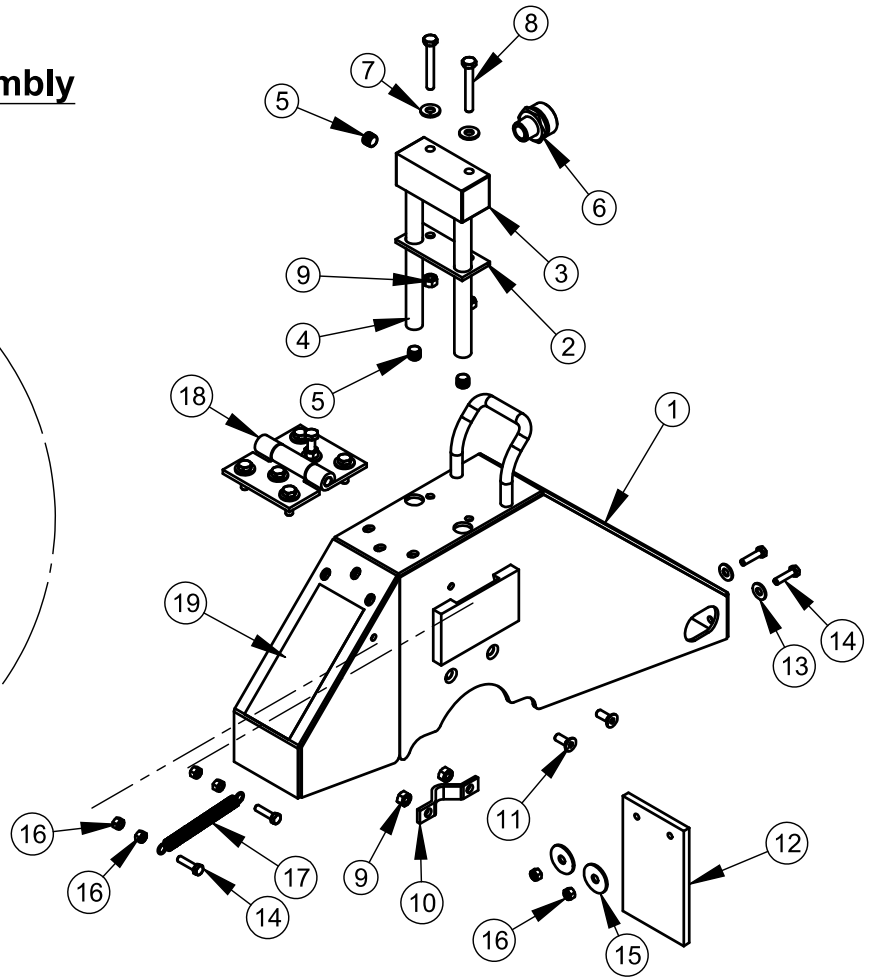
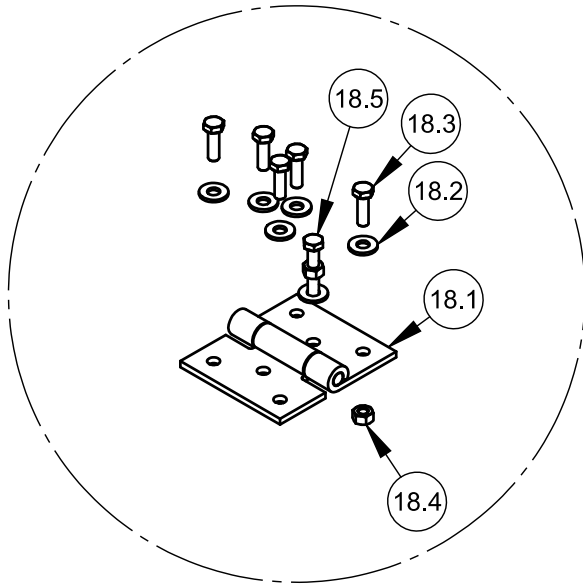
ITEM	PART NO.	QTY.	DESCRIPTION
1	2600368	1	9.0 HP Robin Engine EX270
2	6048134	1	Key, 1/4" Sq. x 2-1/4"
3	2500026	1	Taper Bushing, 1" w/ Set Screws
4	2500022	1	Sheave, 2.65 - 3 Groove
5	2500034	3	V-Belt, 3VX315
6	6048789	1	Wire Harness, Stop Switch (Gas Saw Only)
7	2501676	1	Throttle Control, 15.75"
8	6040261	1	Belt Adjustment Weldment
9	2900014	5	Flat Washer, 3/8" SAE
10	2900473	2	Flat Washer, 3/8" USS
11	2900016	2	Flat Washer, #10 USS
12	2900301	2	Lock Nut, M5-0.8 Nylon Insert
13	2900309	2	Cap Screw, Hex Hd., M5-0.8 x 20mm
14	2900325	1	Hex Nut, M10
15	2900321	5	Lock Washer, M10 Split
16	2900304	4	Lock Nut, M10-1.5 Nylon Insert
17	2900314	2	Cap Screw, Hex Hd., M10-1.5 x 20mm
18	2900333	2	Cap Screw, Hex Hd., M10-1.5 x 25mm
19	2900317	4	Cap Screw, Hex Hd., M10-1.5 x 45mm
20	6048822	1	CC1309 XL Adaptor Plate
21	6048043	1	Oil Drain Hose Assembly
21.1	6048032	1	Oil Drain Hose, 1/4" ID X 9" Long
21.2	3201270	1	Fitting, 1/4" M. Pipe to 1/4" Pushlock
21.3	3201269	1	Adapter, M14x1.5 M. to 1/4" F. Pipe
21.4	3200040	1	Fitting, 1/4" M. JIC to 1/4" Push Lock
21.5	3200006	1	Cap, 1/4" JIC

Blade Shaft Assembly, #6041041



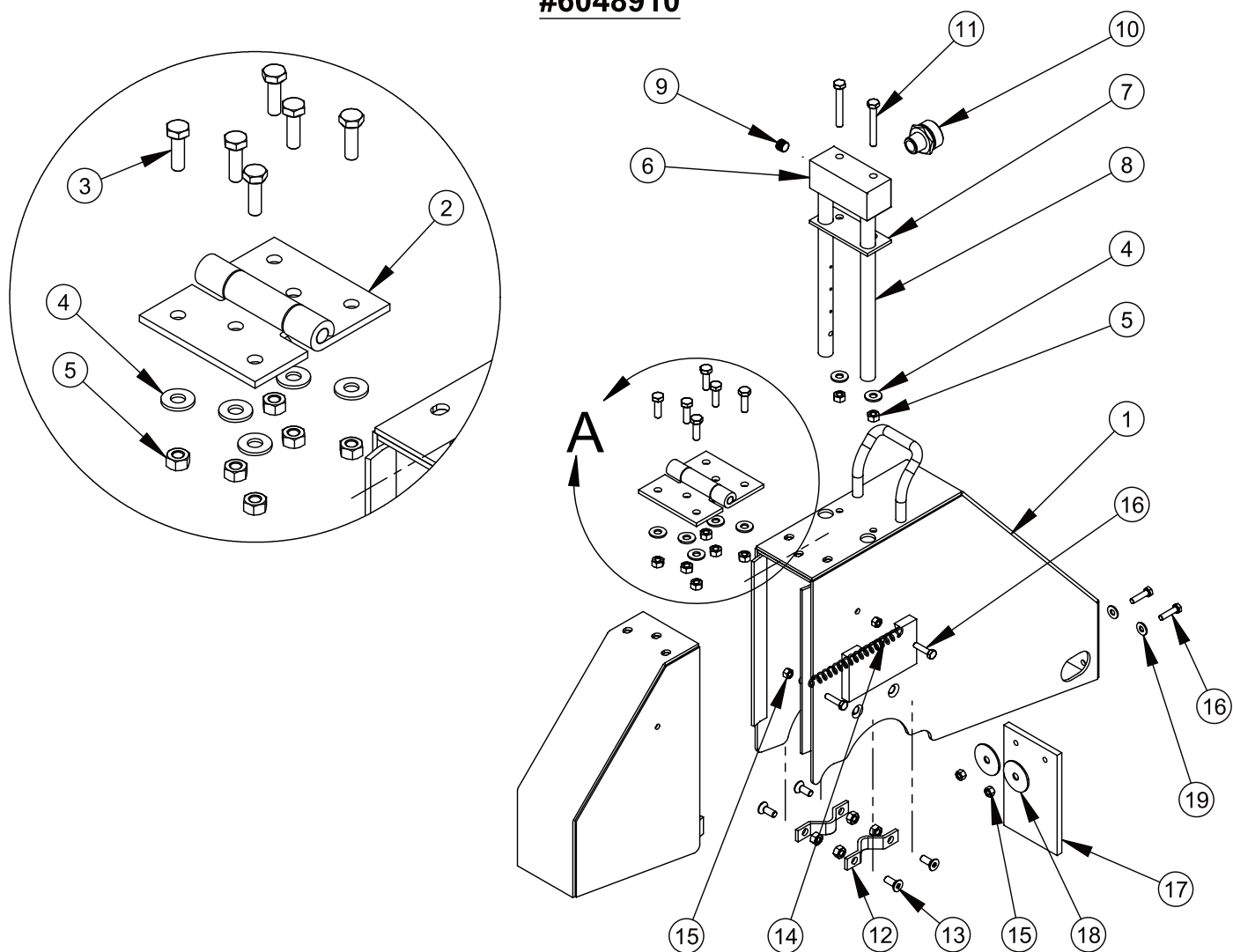
ITEM	PART NO.	QTY	DESCRIPTION
1	6048866	1	Blade Shaft
2	2500025	1	Sheave, 3.65-3 Groove
3	2500576	2	Flange Block Bearing, 1-1/4"
4	6048037	2	Bearing Spacer
5	6048018	2	Key, 3/16" Sq. x 3/4"
6	6010169	1	Key, 1/4" Sq. x 1-1/4"
7	2500337	1	Taper Bushing, 1-1/4"
9	6048008	2	Inner Flange 4-1/2"
10	2900065	1	Flange Nut, 5/8-11 R.H.
12	6048009	1	Outer Flange, 4-1/2" w/ Pin
13	2900066	1	Flange Nut, 5/8-11 L.H.
14	2900046	4	Carriage Bolt, 3/8"-16 X 1-1/4"
15	2900327	4	Lock Nut, M12-1.75 Nylon Insert

14" Blade Guard Assembly
#6048912



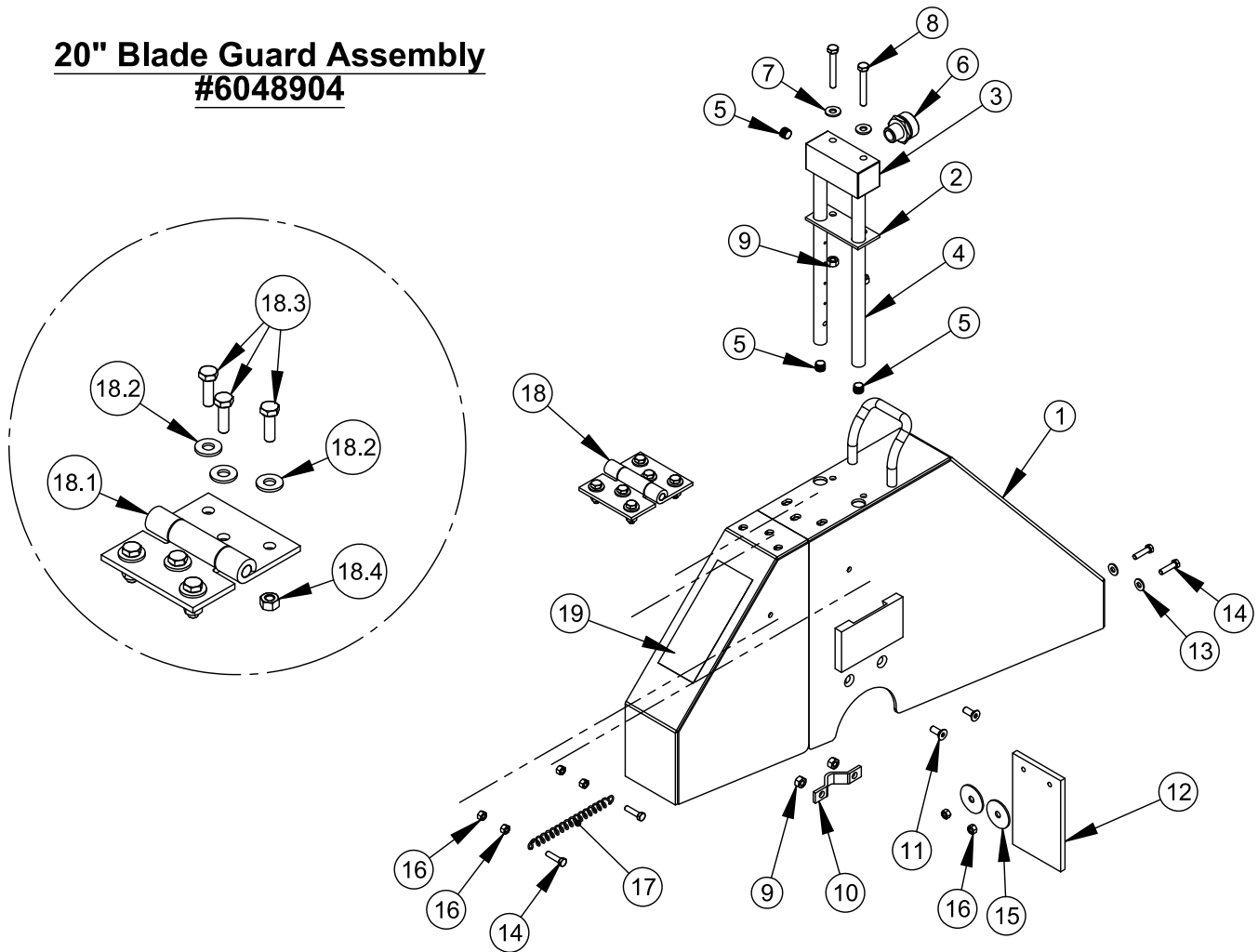
ITEM	PART NO.	QTY.	DESCRIPTION
1	6048911	1	14" Blade Guard
2	2500829	1	Water Manifold Gasket
3	6048123	1	Water Manifold
4	6048283	2	Water Tube for 14" Guard
5	3200001	3	Plug, 1/8" NPT
6	3200002	1	Fitting, 3/8" M. Pipe to 3/4" M. Garden
7	2900009	2	Flat Washer, 1/4" SAE
8	2900244	2	Cap Screw, Hex Hd., M6 x 45mm
9	2900302	6	Lock Nut, M6 Nylon
10	6048155	2	Water Tube Clamp
11	2900308	4	Cap Screw, Flat Hd. Soc., M6 x 16mm
12	6048039	1	Splash Flap
13	2900016	2	Flat Washer, #10 USS
14	2900309	4	Cap Screw, Hex Hd., M5 x 20mm
15	2900083	2	Fender Washer, 1/4" I.D. x 1-1/4" O.D.
16	2900301	6	Lock Nut, M5 Nylon
17	2500066	1	Spring, 3/8 X .055 X 3"
18	6048026	1	Hinge Assy., Metric Fasteners
18.1	2500270	1	Blade Guard Hinge
18.2	2900009	6	Flat Washer, 1/4" SAE
18.3	2900310	5	Cap Screw, Hex Hd., M6 x 20mm
18.4	2900302	7	Lock Nut, M6 Nylon
18.5	2900312	1	Cap Screw, Hex Hd., M6 x 35mm
19	1800001	1	Warning Label

18" Blade Guard Assembly #6048910



ITEM	PART NO.	QTY.	DESCRIPTION
1	6048909	1	18" Blade Guard Assembly (Slip-On Style)
2	2500270	1	Blade Guard Hinge
3	2900310	6	Cap Screw, Hex Hd., M6 x 20mm
4	2900009	8	Flat Washer, 1/4" SAE
5	2900302	12	Lock Nut, M6 Nylon
6	6048123	1	Water Manifold
7	2500829	1	Water Manifold Gasket
8	6048243	2	Water Tube for 18" Guard
9	3200001	1	Plug, 1/8" NPT
10	3200002	1	Fitting, 3/8" M. Pipe to 3/4" M. Garden
11	2900244	2	Cap Screw, Hex Hd., M6 x 45mm
12	6048155	2	Water Tube Clamp
13	2900308	4	Cap Screw, Flat Hd. Soc., M6 x 16mm
14	2500067	1	Spring, 3/8" x 4"
15	2900301	4	Lock Nut, M5 Nylon
16	2900309	4	Cap Screw, Hex Hd., M5 x 20mm
17	6048039	1	Splash Flap
18	2900083	2	Fender Washer, 1/4" x 1-1/4"
19	2900016	2	Flat Washer, #10 USS

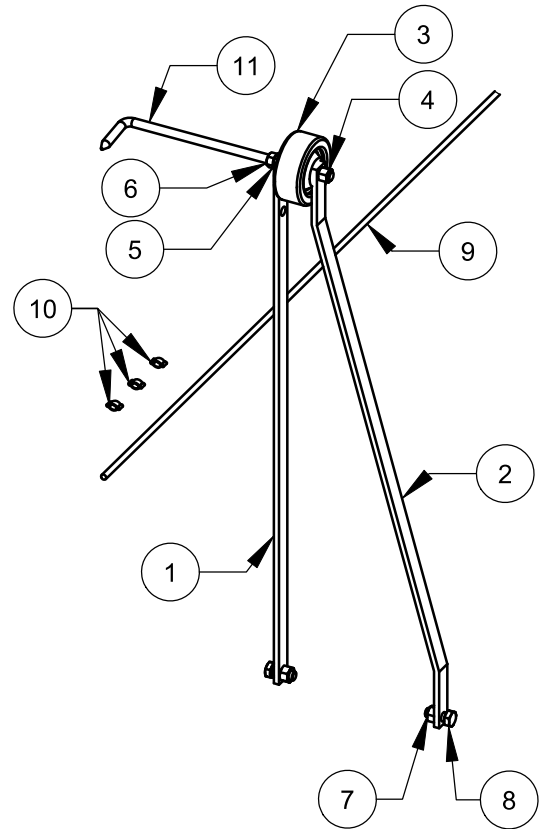
20" Blade Guard Assembly #6048904



ITEM	PART NO.	QTY.	DESCRIPTION
1	6048905	1	20" Blade Guard
2	2500829	1	Water Manifold Gasket
3	6048123	1	Water Manifold
4	6010085	2	Water Tube for 20" Guard
5	3200001	3	Plug, 1/8" NPT
6	3200002	1	Fitting, 3/8" M. Pipe to 3/4" M. Garden
7	2900009	2	Flat Washer, 1/4" SAE
8	2900244	2	Cap Screw, Hex Hd., M6 x 45mm
9	2900302	6	Lock Nut, M6 Nylon
10	6048155	2	Water Tube Clamp
11	2900308	4	Cap Screw, Flat Hd. Soc., M6 x 16mm
12	6048039	1	Splash Flap
13	2900016	2	Flat Washer, #10 USS
14	2900309	4	Cap Screw, Hex Hd., M5 x 20mm
15	2900083	2	Fender Washer, 1/4" x 1-1/4"
16	2900301	6	Lock Nut, M5 Nylon
17	2500067	1	Spring, 3/8" x 4"
18	6048027	1	Hinge Assy., Metric Fasteners
18.1	2500270	1	Blade Guard Hinge
18.2	2900009	6	Flat Washer, 1/4" SAE
18.3	2900310	6	Cap Screw, Hex Hd., M6 x 20mm
18.4	2900302	6	Lock Nut, M6 Nylon
19	1800001	1	Warning Label

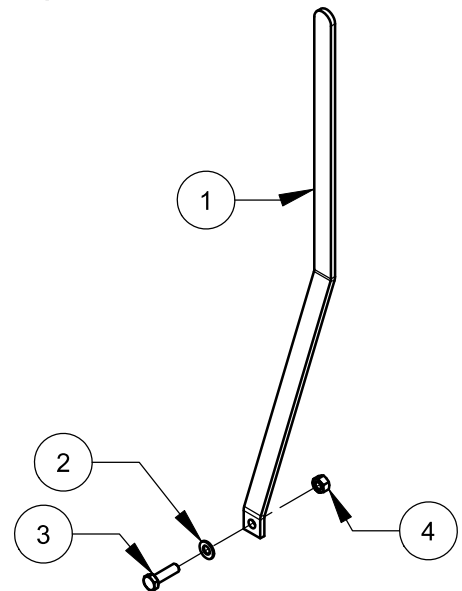
Pointer Assembly - 6048080
- 6047994 (10HP Electric)

ITEM	PART NO.	QTY	DESCRIPTION
1	6048069	1	Pointer Bar - Straight
2	6048070	1	Pointer Bar - Offset
3	2500624	1	Wheel, 3"
4	2900018	1	Lock Nut, 3/8-16 Nylon
5	2900321	1	Lock Washer, M10 Split
6	2900033	1	Hex Nut, 3/8-16
7	2900304	2	Lock Nut, M10 Nylon
8	2900333	2	Cap Screw, Hex Hd., M10 x 25mm
9	6048078	1	Rope, 1/4 x 78"
10	3200221	3	Pinch Clamp, Two Ear
11	2900032	1	Pointer Rod
	2900743	1	Ponter Rod (10HP Electric)

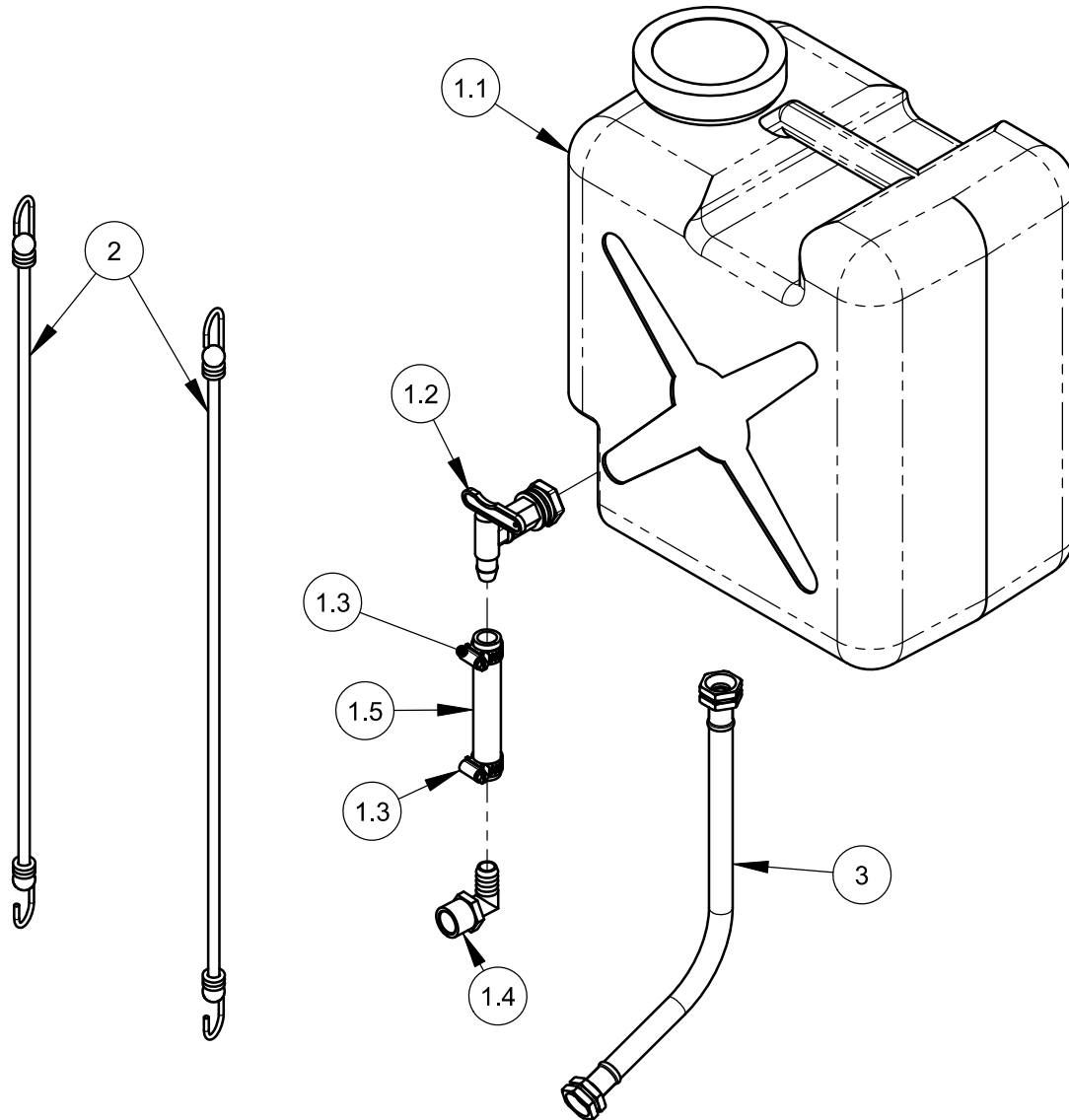


Pointer Assembly - 6048157 (Upcut)

ITEM	PART NO.	QTY.	DESCRIPTION
1	6048126	1	Bar, Pointer
2	2900014	1	Flat Washer, 3/8" SAE
3	2900315	1	Cap Screw, Hex Hd., M10 x 35mm
4	2900304	1	Lock Nut, M10 Nylon



WATER TANK OPTION: 6049060



MOUNTS TO LIFT BAR.

ITEM	PART NO.	QTY.	DESCRIPTION
1	6049062	1	Water Tank W/Hose Assy.
1.1	6048299	1	Water Tank Assy., 7-1/2 Gallon
1.2	2505095	1	Petcock
1.3	3200016	2	Hose Clamp #8
1.4	3202085	1	3/4"MPT X 5/8" Hose Barb
1.5	6049061	1	5/8" x 5-1/4" Clear Hose
2	2500586	2	Tiedown, Elastic, 28"
3	6011055	1	Water Hose Assembly, 30" Long

Intentionally Blank

EQUIPMENT AND PARTS WARRANTY

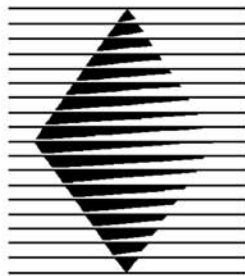
Diamond Products warrants all equipment manufactured by it against defects in workmanship or materials for a period of one (1) year from the date of shipment to Customer.

The responsibility of Diamond Products under this Warranty is limited to replacement or repair of defective parts at Diamond Products' Elyria, Ohio factory, or at a point designated by it, of such parts as shall appear to us upon inspection at such parts, to have been defective in material or workmanship, with expense for transportation and labor borne by Customer.

In no event shall Diamond Products be liable for consequential or incidental damages arising out of the failure of any Product to operate properly.

Integral units such as engines, electric motors, batteries, transmissions, etc., are excluded from this Warranty and are subject to the prime manufacturer's warranty.

THIS WARRANTY IS IN LIEU OF ALL OTHER WARRANTIES, EXPRESSED OR IMPLIED, AND ALL SUCH OTHER WARRANTIES ARE HEREBY DISCLAIMED.



DIAMOND PRODUCTS

333 Prospect Street, Elyria, Ohio 44035
(440) 323-4616 • (800) 321-5336 • Fax (440) 323-8689
www.diamondproducts.com