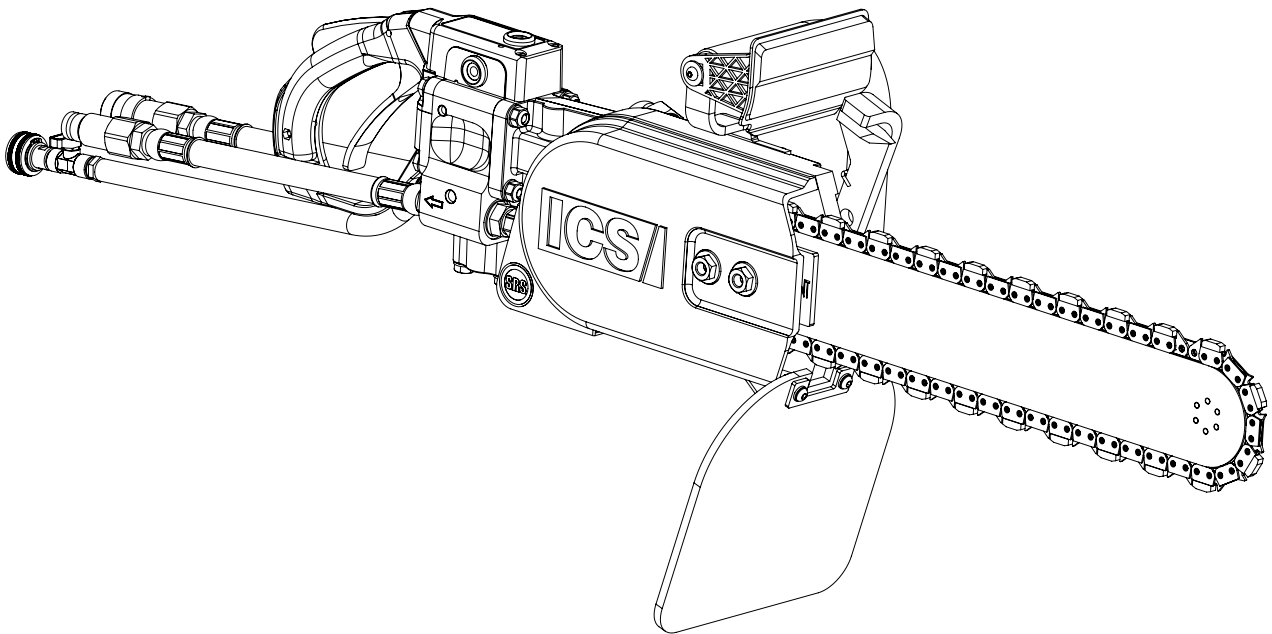




Diamond Tools and Equipment  
for Construction and Infrastructure

# Replacement Parts & Accessories Price List



## 890 Series Hydraulic Concrete Saw

Effective January 1, 2014

# TABLE OF CONTENTS

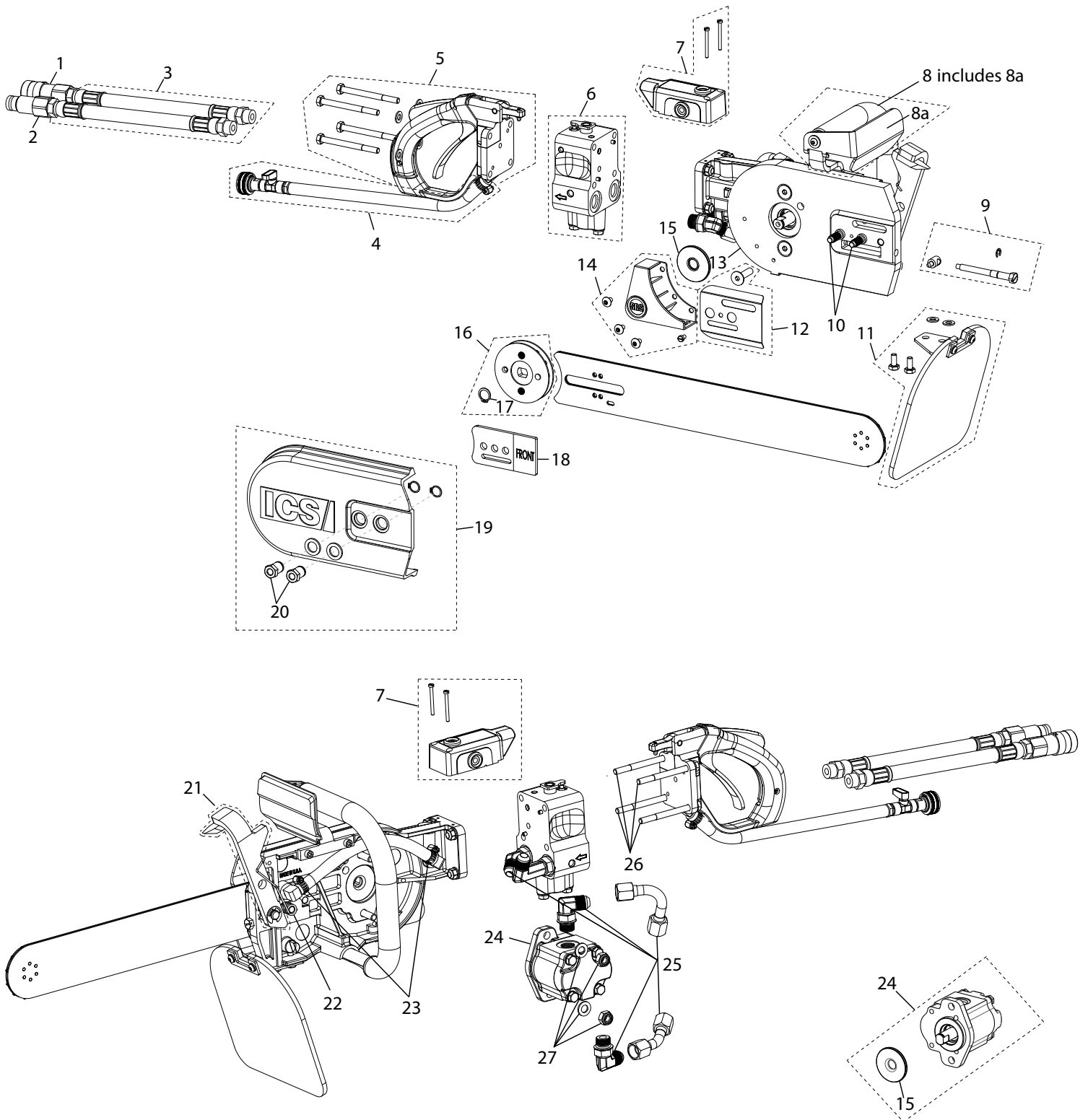
## 890 Series Hydraulic Concrete Saw

ITEM DESCRIPTION	PAGE
890 Series Hydraulic Saw Service Parts & Kits	2
890 Series Hydraulic Saw Assembly	3 - 4

# SERVICE PARTS & KITS

## 890 Series Hydraulic Concrete Saw

Part No.	Description
70619	890 Series Tensioning Screws, Hydraulic Saws
71526	890 Series Hydraulic Valve Spool Kit
72296	890 Series Hydraulic Valve Seal Kit
72347	890 Series Hydraulic Trigger Lock-Out Spring & Pin Kit
506026	890 Series Hydraulic Trigger & Lock-Out Kit
507407	890 Series Hydraulic Front Handle Fastener Kit
518869	890 Series Hydraulic Water Valve Kit, includes clip, plunger, spring, ball & water bridge spindle
564961	890 Series Motor Conversion Kit 8 gpm (30 lpm) - includes drive sprocket/motor bolts
564960	890 Series Motor Conversion Kit 12 gpm (45 lpm) - includes drive sprocket/motor bolts
528594	890 Series Motor Seal Kit
564923	890 Series Shaft Conversion/Replacement Kit 8 gpm (30 lpm)
564924	890 Series Shaft Conversion/Replacement Kit 12 gpm (45 lpm)
540291	890 Series Side Cover Gasket
72342	890 Series Hydraulic Motor Bolt Kit
540290	890 Series Hydraulic End Cap Set
72344	890 Series Valve Bolt Kit
530046	890 Series FORCE4™ Bar Nose Sprocket Repair Kit
566059	890 Series Water Shut-off Valve Kit



Key #	Part No.	Description
1	71916	890 Series QD, Female, with O-Ring, Kit (hose not included)
2	71917	QD Male with O-Ring (hose not included)
3	70629	890 Series Hydraulic Pigtail Kit 1m hoses (set of 2 hoses, QD's included)
3	566566	890 Series Hydraulic Hose Whip 2.5m hose (one hose only, does not include Quick Disconnects) Not shown
4	72345	890 Series Water Hose Kit
5	565316	890 Series Rear-Handle Replacement Kit
6	528553	890 Series Hydraulic Valve Replacement
7	565317	890 Series Valve Cover Kit with levels, Black
8	71153	890 Series Front Handle Kit (includes 8a) - 30 lpm
8a	74586	890 Series Front Hand guard Kit - 30 lpm
8	71536	890 Series Front Handle Kit (includes 8a) - 45 lpm
8a	517874	890 Series Front Hand guard Kit - 45 lpm
9	70636	890 Series Tensioner Kit
10	72349	890 Series Series Bar Mounting Studs
11	72408	890 Series Series Guard Flap Assembly
12	70627	890 Series Bar Mount Cover Plate
13	528562	890 Series Main Frame
14	512592	Baffle Drain Replacement Kit
15	528563	890 Series External Shaft Seal Kit
16	565065	890 Series Drive Sprocket (includes snap ring)
17	549796	890 Series Snap Ring Kit
18	70628	890 Series Bar Retaining Plate
19	528564	890 Series Side Cover Replacement Kit
20	70639	890 Series Cover Retaining Nuts (set of 2)
21	70641	890 Series WallWalker Replacement Kit
22	70640	890 Series WallWalker Spring
23	72346	Front Water Hose Kit
24	564962	890 Series Hydraulic Motor Replacement Kit - 8 gpm (30 lpm)
24	564983	890 Series Hydraulic Motor Replacement Kit - 12 gpm (45 lpm)
25	532400	890 Series Hydraulic Plumbing Replacement Kit
26	72344	890 Series Valve Bolt Kit
27	72342	890 Series Motor bolt kit (x2)

**890 Series Replacement Parts & Accessories Price List**

**ICS, Blount Europe, SA  
Rue Emile Francqui, 5  
1435 Mont-Saint-Guibert, Belgium  
Tel +32 10 301 251 Fax +32 10 301 259  
europe.marketing@icsbestway.com  
icsbestway.com**