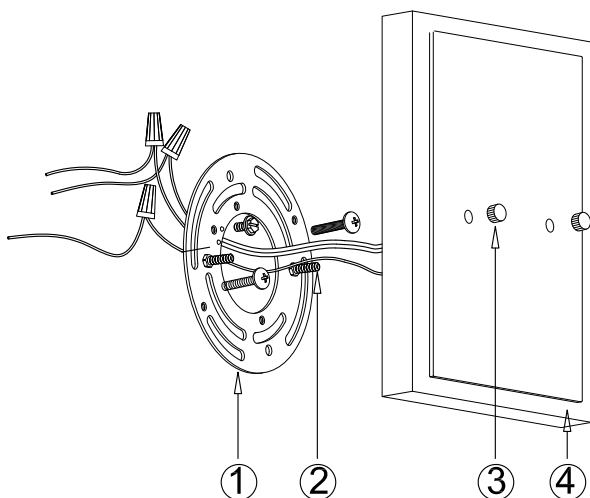


INSTALLATION INSTRUCTION FOR WALL LAMP

1. PLEASE READ THE INSTRUCTIONS CAREFULLY BEFORE INSTALLATION OF YOUR LIGHTING FIXTURE.
2. REFERRING TO THE DRAWING BELOW, YOU HAVE TO DETERMINE THE TYPE OF FIXTURE WHICH YOU
3. HAVE PURCHASED "SINGLE STRAP MOUNTED" OR "SWIVEL STRAP MOUNTED" AND PROCEED ACCORDINGLY.



1. CROSS BAR
2. THREADED NIPPLE
3. THREADED CAP
4. BACK PLATE

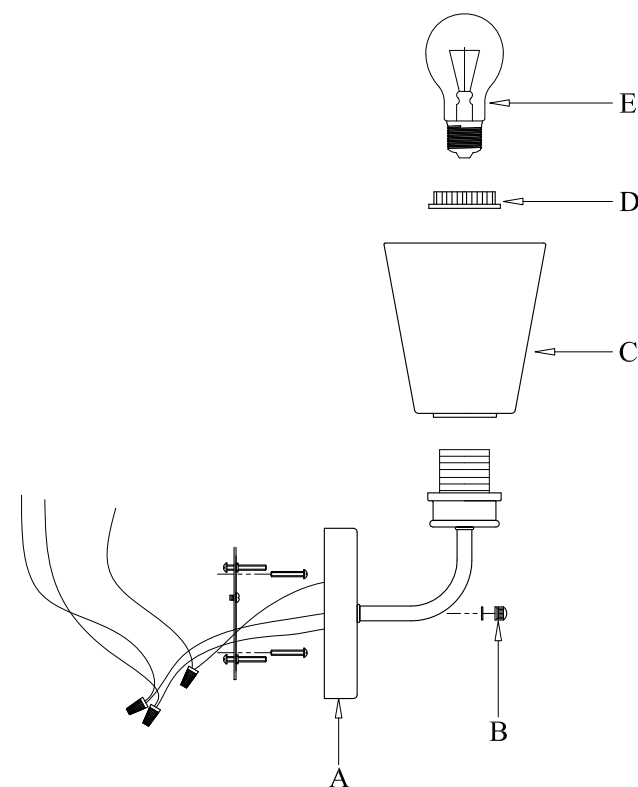
INSTALLATION PROCEDURES

1. SWITCH OFF THE POWER SUPPLY TO THE OUTLET BOX ON WHICH YOU PLAN TO MOUNT THE LIGHTING FIXTURE (CAUTION DISCONNECT ALL POWER BEFORE SERVICING)
2. FIX THE CROSS BAR TO OUTLET BOX BY USING EXISTING OUTLET BOX SCREWS
3. CONNECT FIXTURE WIRES TO HOUSE WIRES ENSURE THE RIGHT MATCHING AS WHITE, SECURE HOUSE GROUND WIRE TO THE CROSS BAR GROUND WIRE SCREW (CAUTION, MAKE SURE CONNECTIONS ARE SECURED, IN RIGHT POLARITY AND IN GOOD INSULATION)
4. MOUNT LIGHTING FIXTURE ACCORDING TO THE DRAWING ABOVE
5. CAULK WITH SILICON OR SIMILAR CAULKING SUITABLE FOR OUTDOOR USE
6. MAKE A COMPLETE SEAL AROUND FIXTURE CANOPY AND MOUNTING SURFACE

INSTALLATION

1. REMOVE SOCKET RING [D] FROM SOCKET.
2. POSITION GLASS [C] ON LAMP. THEN SECURE WITH SOCKET RING [D].
3. INSTALL BULB [E]. (BULB NOT INCLUDED)

LL-WL20-1SN



CAUTION: PULL ANY EXCESS WIRE THROUGH BOTTOM OF THE LAMP. PLEASE USE TYPE A BULB. DO NOT USE LIGHT BULB RATED GREATER THAN 60 WATTS OR THE LAMP MAY BURN AND CAUSE A FIRE! TO CLEAN, USE A SOFT CLOTH ONLY.

NOTE: TURN THE POWER OFF (UNPLUG FROM THE WALL OUTLET) BEFORE REPLACING THE BULB. MAKE SURE THE BULB HAS SUFFICIENT TIME TO COOL DOWN. DO NOT SUBJECT THE LAMP TO ANY SHOCK WHILE LIT AS SHATTERING OF LAMP MAY RESULT.