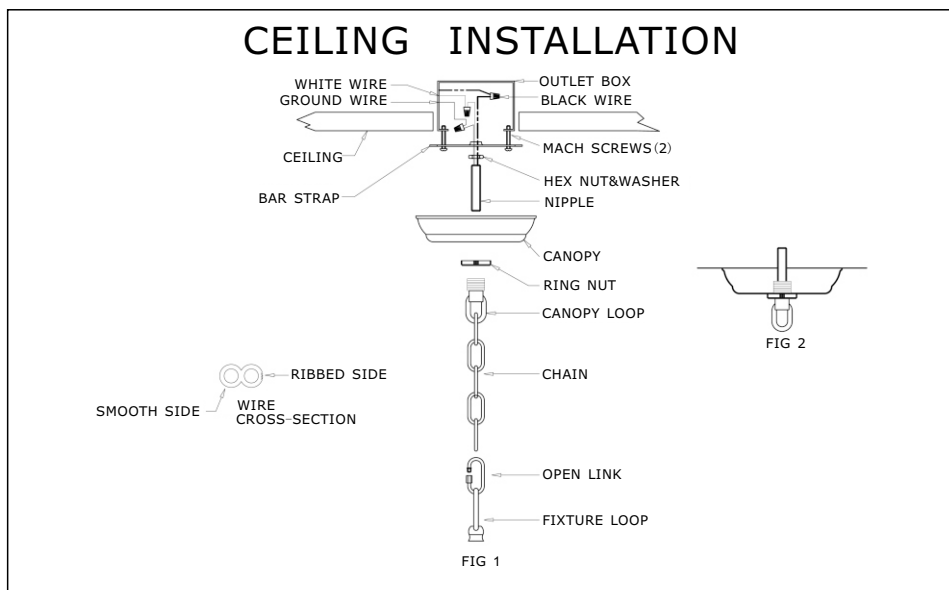


MOUNTING AND WIRING INSTRUCTIONS

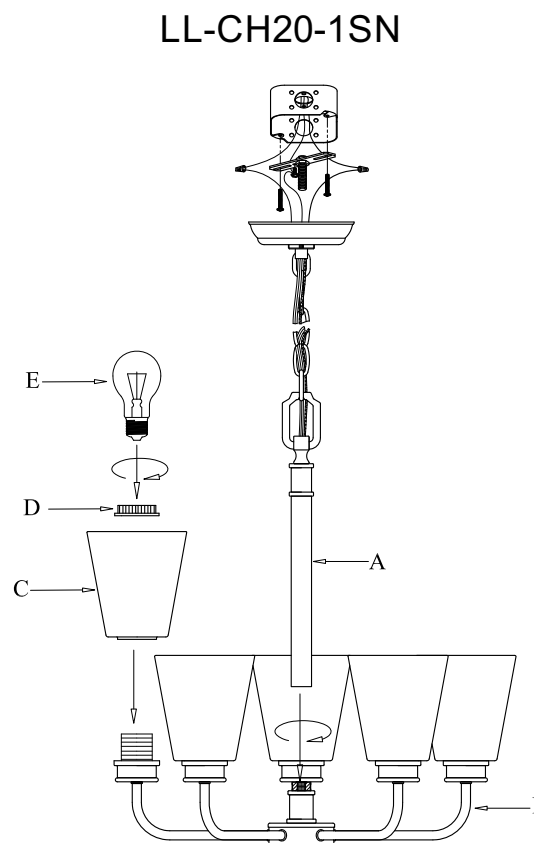
- CAUTION:** 1-TURN OFF ELECTRICITY AT MAIN FUSE BOX BEFORE INSTALLATION.
 2-RISK OF FIRE. DO NOT LAMP FIXTURE GREATER THAN WATTAGE SHOWN ON MAXIMUM WATTAGE LABELS ON FIXTURE.
 3-IF YOU ARE UNFAMILIAR WITH ELECTRIC WIRING CALL A QUALIFIED ELECTRICIAN TO INSTALL THIS UNIT.



- 1-FASTEN BAR STRAP TO OUTLET BOX WITH (2) SCREWS.
- 2-ASSEMBLE NIPPLE AND HEX NUT TO BAR STRAP SO THAT THE LOOP WILL ASSEMBLE AS IN FIGURE 2. LOCK NIPPLE IN PLACE WITH HEX NUT.
- 3-DETERMINE THE LENGTH OF CHAIN YOU NEED FOR FIXTURE HEIGHT AND THEN CONNECT THE CHAIN TO THE FIXTURE USING THE OPEN LINK. CLOSE THE LINK (USE A CLOTH BETWEEN THE LINK AND PLIERS TO PROTECT FINISH).
- 4-LACE THE WIRES THROUGH THE CHAIN (EVERY OTHER LINK) AND STOP JUST BEFORE YOU REACH THE CANOPY LOOP.
- 5-PASS THE RING NUT AND CANOPY DOWN THE CHAIN.
- 6-A SECOND PERSON MAY BE NEEDED TO ASSIST IN THIS STEP. RAISE THE FIXTURE TO THE OUTLET BOX AND SCREW THE LOOP ONTO THE NIPPLE.
- 7-PASS THE REMAINDER OF THE WIRE THROUGH THE CANOPY LOOP AND PULL OUT OF OUTLET BOX.
- 8-SPLICE THE RIBBED SIDE OF THE PARALLEL WIRE TO THE WHITE SUPPLY WIRE FROM THE OUTLET BOX WITH WIRE CONNECTOR (NOT SUPPLIED). SPLICE THE SMOOTH SIDE OF THE PARALLEL WIRE TO THE BLACK SUPPLY WIRE FROM THE OUTLET BOX WITH WIRE CONNECTOR. SPLICE GROUND WIRE TO SUPPLY GROUND WIRE WITH WIRE CONNECTOR. PUSH ALL WIRES BACK INTO OUTLET BOX.
- 9-RAISE CANOPY AND SECURE WITH RING NUT. TURN ELECTRICITY BACK ON.

INSTALLATION

1. SCREW THE CENTER ROD [A] TO THE LIGHTING FIXTURE [B].
2. PUT THE GLASS SHADE [C] ONTO THE LIGHTING FIXTURE [B], THEN TIGHTEN BY SOCKET RING [D].
3. INSTALL BULB [E]. (BULB NOT INCLUDED)



CAUTION: PULL ANY EXCESS WIRE THROUGH BOTTOM OF THE LAMP. PLEASE USE TYPE A/ CFL BULB. DO NOT USE LIGHT BULB RATED GREATER THAN 60W / 26W. OR THE LAMP MAY BURN AND CAUSE A FIRE! TO CLEAN, USE A SOFT CLOTH ONLY.

NOTE: TURN THE POWER OFF (UNPLUG FROM THE WALL OUTLET) BEFORE REPLACING THE BULB. MAKE SURE THE BULB HAS SUFFICIENT TIME TO COOL DOWN. DO NOT SUBJECT THE LAMP TO ANY SHOCK WHILE LIT AS SHATTERING OF LAMP MAY RESULT.