

INSTALLATION GUIDE

Angled sliding doors

If you have ordered **angled sliding wardrobe doors** this supplementary guide should be used in conjunction with the main installation guide supplied with your doors – **please take time to read it through fully prior to the installation of your doors.**

IMPORTANT – To allow you to install your angled sliding wardrobe doors easily and to ensure a professional finish a suitable framework (consisting of top and bottom liners and strike plates) is required. This supplementary installation guide assumes that a suitable frame has already been constructed and all relevant dimensions are plumb and level.

1. INSTALLING THE TOP TRACK

1.1 Cutting the top track

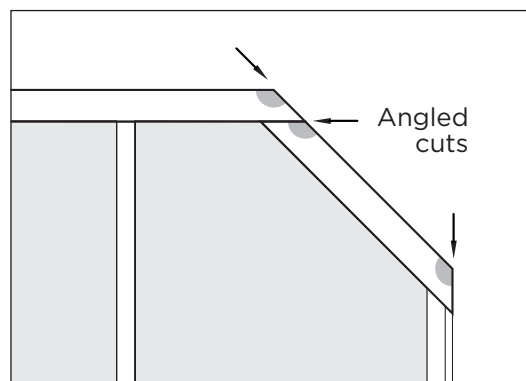
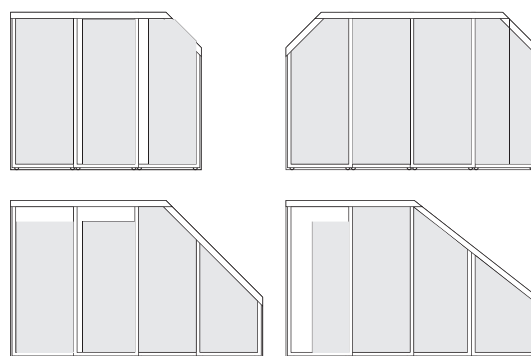
The installation of the top track for angled doors is similar to the installation of the top track for conventional doors (see section **5. Installing the tracks** in the main installation guide) but they require cutting at an angle at one end or both ends depending on your particular specification (see illustration).

The angle(s) to which you will need to cut your top track has been provided by Doors Direct along with your order. Ideally, to obtain the most accurate angled cut you should use a mitre saw.

TIP *To make it easier to mark the position for cutting and to prevent the saw blade skidding it is advisable to wrap masking tape around the track before cutting. Once the track has been cut, remove the tape.*

1.2 Positioning and installing the top track

Once the sections of the top track have been cut to the required lengths and angles they can be positioned and fixed to the frame. For positioning and installation of the horizontal and angled sections of the top track please follow the instructions in section 5.2 in the main installation guide.



2. INSTALLING THE BOTTOM TRACK

Please follow the instructions from sections **5.3 to 5.5** in the main installation guide.

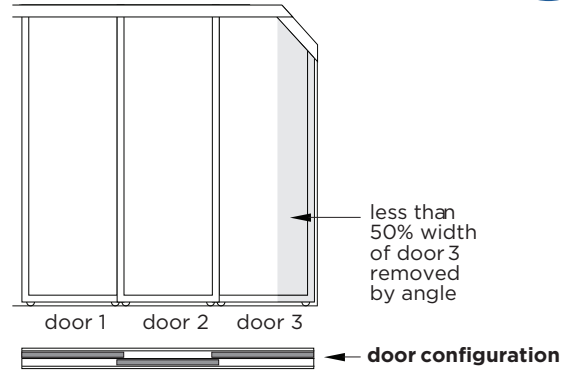
Please note: If you have specified separate recessed or surface mounted bottom tracks for your installation an additional instruction guide for these will have been included with your order.

3. DOOR INSTALLATION & ADJUSTMENT

Angled doors that have less than 50% of their width cut off and have adequate engagement into the top track can be installed as a normal door – see illustration.

To install your doors in the top and bottom tracks please follow the instructions from sections 6 to 8 of the main installation guide.

For safety reasons, where possible, any sliding door with an angled upper part must be installed in the rear channel of the track.



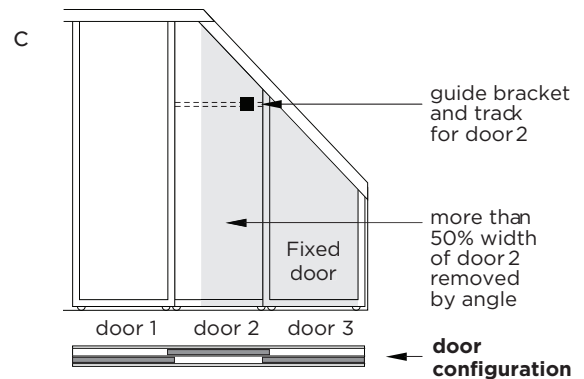
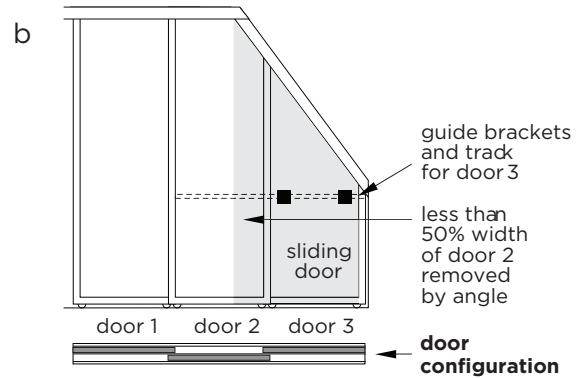
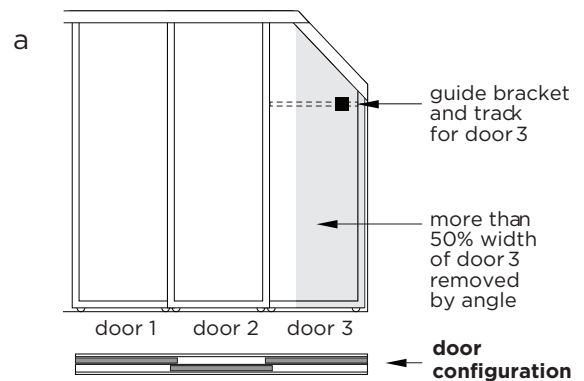
4. GUIDE BRACKET(S) & GUIDE TRACK(S)

If any of your sliding doors have more than 50% of their width taken off by the angle or have no points of engagement with the top track they will require additional support at a lower level. This support is provided by means of a guide bracket and guide track.

Guide brackets

Angled doors that have less than 50% of their width cut off and have adequate engagement into the top track will have no guide bracket supplied. However, angled doors with more than 50% of their width cut off but with minimum engagement into the top track will have one guide bracket supplied (see illustrations a and c); doors with no points of engagement into the top track but which are still designed to slide will come with two guide brackets supplied (see illustrations b and d). To fix the guide bracket(s) to your angled door follow the instructions in section 4.1.

Please note: In two-channel track installations only doors that sit in the rear channel of the top and bottom tracks can have guide brackets attached to them. The configuration shown in illustration c has a guide bracket attached to door 2 (rear channel), allowing it to slide to the left. Door 3 (front channel) cannot have a bracket attached and therefore cannot slide – it must remain as a fixed door. However, if a three-channel track system is used it is possible for two angled doors to slide. In the configuration shown in illustration d both the angled doors 3 and 4 are sliding doors. This is achieved by positioning them both in the rear channel, with doors 1 and 2 sitting in the front and centre channels of a three track system. For fixing instructions for non-sliding doors please see section 6.



Guide track

For angled doors with more than 50% of their width removed by the angle (or for doors with no engagement at all with the top track) guide track must be used. This provides the necessary point of engagement for the top roller mechanism to slide within and also keeps the angled door secure. The guide track needs to be attached to an internal shelf, which itself will need installing at the correct height within the wardrobe (see section 4.2 below).

Depending on the number of doors in your installation that are angled (and/or sliding) you may need to install more than one shelf to provide support at the appropriate heights - see illustration **d**.

Please note: The relative positions of any guide tracks (and shelves) necessary to complete the installation of your angled sliding doors has been provided with your order - **please refer to this before cutting the guide track or positioning the shelves.**

4.1 Fixing the guide bracket

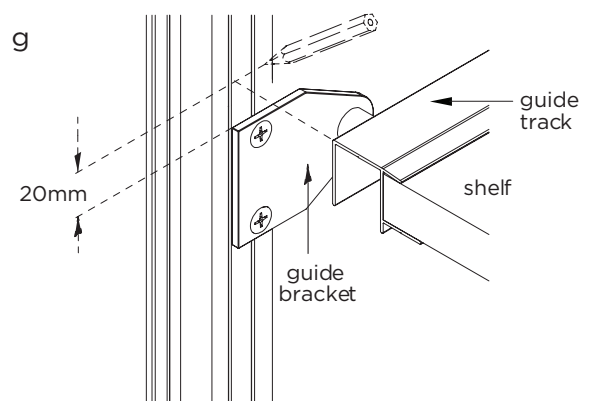
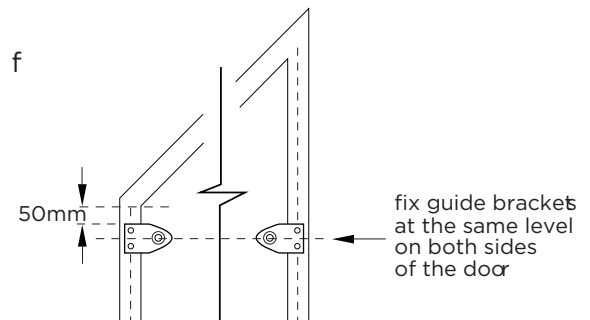
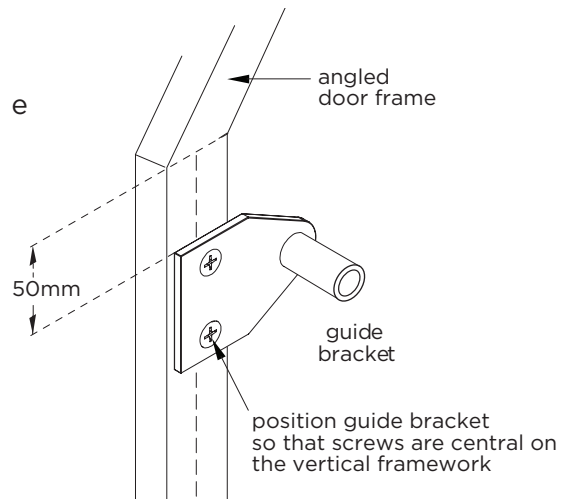
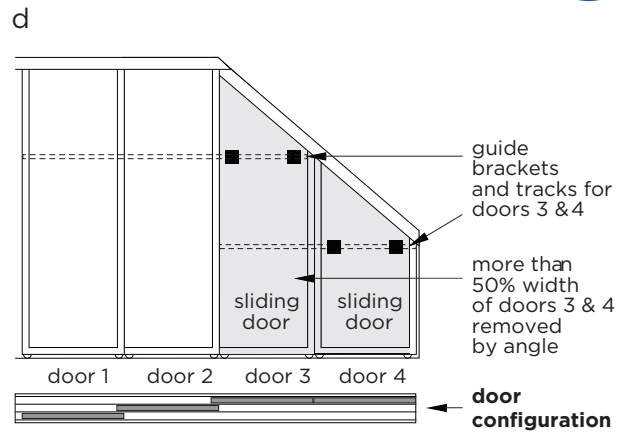
The guide bracket (or brackets) need fixing to the internal face of the door frame approximately 50mm down from the point where the frame is angled - see illustration **e**. This will provide the maximum support for the door. Position the guide bracket squarely so that the screw holes are positioned centrally on the vertical framework of the door. Mark their position and drill two pilot holes, using a 2mm diameter metal drill bit. For angled doors that require two guide brackets affixing, follow the instructions above to fit the first guide bracket and then fix the second guide bracket at the same level on the other side of the door - see illustration **f**.

TIP To make it easier to mark the position for cutting and to prevent the saw blade skidding it is advisable to wrap masking tape around the track before cutting. Once the track has been cut, remove the tape.

4.2 Installing the shelf

When all necessary guide brackets have been attached to the angled doors place all the doors in their respective positions in the top and bottom tracks. With all the doors in place and the rollers adjusted to the desired heights (see section 7.3 in the main installation guide) measurements for the shelf (or shelves) can be made.

Shelf height: To determine the height at which the shelf should be installed measure from the floor (excluding any framework installed) to the top edge of the fixing plate of the guide bracket and then **add 20mm** - see illustration **g**. This measurement is the height to which the top surface of the shelf should be installed.



Shelf width: The shelf's width will have been calculated by doors direct and this will be shown clearly on the specification drawing included with your order.

Shelf depth: To determine the depth of the shelf (i.e. the dimension from the back of the wardrobe to the front edge of the shelf, excluding the guide track) first measure the distance from the inside face of the guide bracket plate to the back wall (A). From this measurement subtract 80mm – see illustration **h**.

Note: Ensure that the door and guide bracket are perfectly vertical before making this measurement as any inaccuracy may cause the shelf to be made too shallow or too deep.

This will provide you with the measurement to cut the shelf to the correct depth. Then, when the guide track is fixed to the front face of the shelf the overall depth will be correct to allow the guide wheels on the door bracket to engage in the U-shaped channel of the guide track.

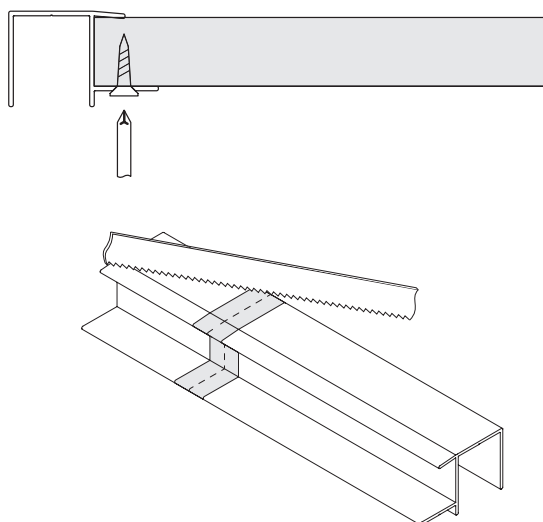
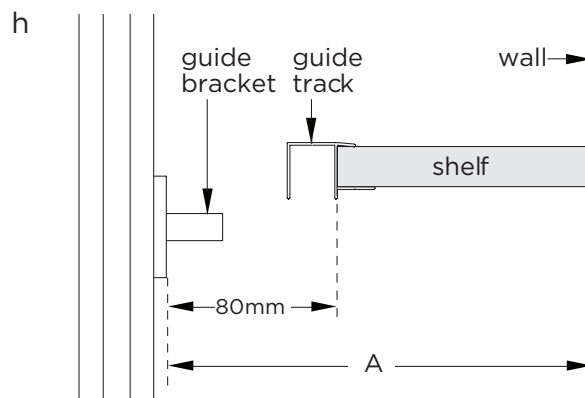
Make sure the shelf is precisely in a horizontal position and is parallel to the bottom track. The shelf should be supported by timber battens or fixing blocks on all three sides.

4.3 Installing the guide track

The length of the guide track should allow the door to be moved fully to the side. Cut the guide track to match the width of the shelf it will be attached to. Along the deeper lip of the track drill 4mm diameter holes, evenly spaced at 200mm centres. Screw the guide track to underside of the front edge of the shelf making sure that the front U-shaped channel is pointing downwards.

TIP

To make it easier to mark the position for cutting and to prevent the saw blade skidding it is advisable to wrap masking tape around the guide track before commencing cutting. Once the track has been cut, remove the tape.

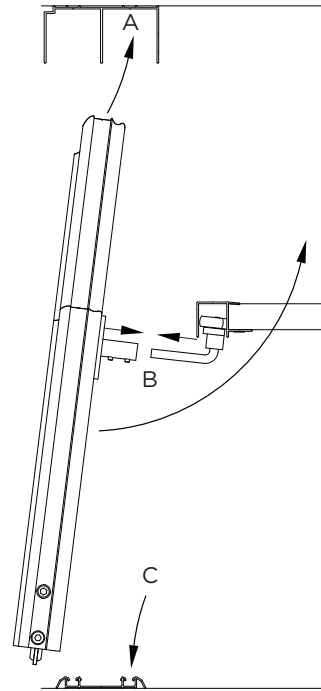


5. FITTING THE DOOR GUIDE WHEEL

Note: Two people will be necessary to complete the final installation of the angled door and guide wheel.

Lift the angled door from the bottom track **(C)** and swing the base towards the front of the wardrobe. Position the door guide wheel so that the three wheels engage in the U-shaped channel and gently swing the door back so that the stem of the door guide wheel engages in the sleeve of the door guide bracket **(B)**. Ensuring that the top of the door is in the rear channel **(A)** place the wheels at the base of the door into the rear channel of the bottom track **(C)**.

Make any final adjustments necessary to the guide wheel arrangement in the U-shaped channel (ie. ensure it is vertical) and then secure the stem in the guide bracket by tightening the two grub screws from underneath.



6. FIXING NON-SLIDING DOORS

For angled doors that require fixing so that they cannot slide (see section 4) use a suitable L-shaped bracket (not supplied) inserted and screwed into the appropriate channel of the top track. The bracket should be bent to match the angle between the vertical door edge and the top track before securing – see illustration.

