



AEDELED10/WW/PIR



Features

Compact and economic aluminium LED floodlight

Only suitable for semi commercial applications

10W ideal for halogen replacement

Bracket design allows installation without removing mounting bracket

PIR versions complete with manual override facility

Pre-wired with 1 metre of rubber insulated cable for ease of installation

Cool white and warm white options available

LED lifespan L90 36,000 hours

Non-dimmable

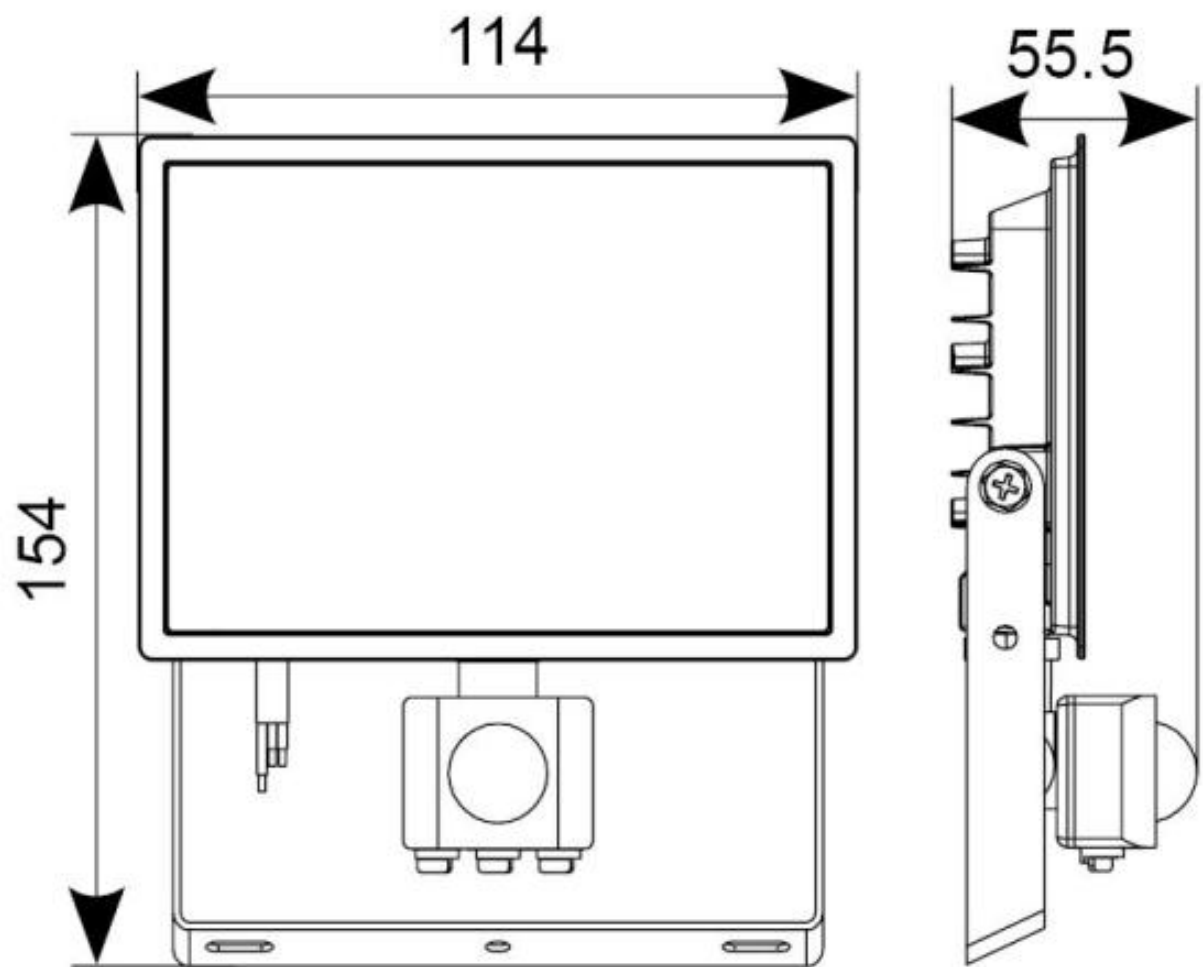
General Information

Lamp Type	LED
Colour / Finish	Black
IP Rating	IP44
IK Rating	IK06
Class Protection	1
Internal / External	Internal/External
Surface / Recessed / Suspended	Surface
Warranty (Years)	2
CE Mark	Yes
Length (mm)	154
Width (mm)	114
Depth (mm)	55.5

Technical Information

Wattage	10W
Lumens Delivered	894lm
Lm/W	89lm
CRI	Ra 80
CCT	3000K
Input	220-240V
Hertz	50/60hz
Operating Temp	-20 to 40

Datasheet generated from <https://onetimepim.com> last updated Friday, March 26, 2021 11:29:19 AM



AEDELED10//PIR**