

Diameter

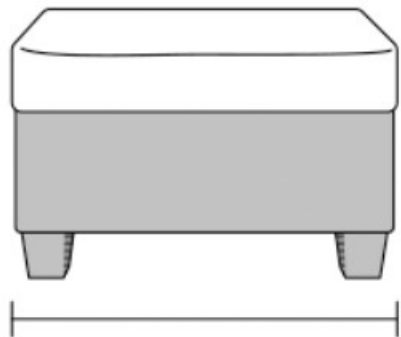
Measure side to side across top-center of the ottoman.



Height

Measure from the ground to the top of the ottoman.

*We recommend a cover 1-2 inches shorter than the furniture for breathability.

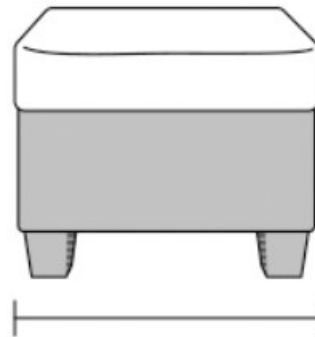


Width

Measure the widest side of the ottoman from left to right.

Depth Measure the deepest side, adjacent to the width, of the ottoman from left to right.

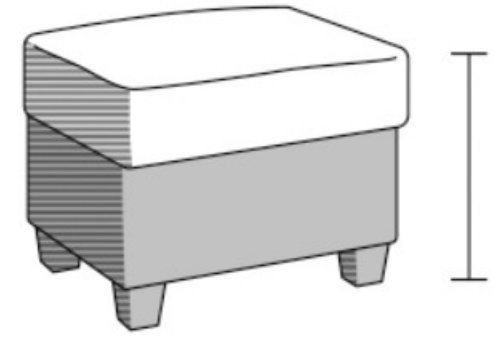
*Start measurement at the leg base or the cushion, whichever is the deepest point



Depth

Measure the deepest side, adjacent to the width, of the ottoman from left to right.

*Start measurement at the leg base or the cushion, whichever is the deepest point.



Depth

Measure from the ground to the top of the ottoman.

*We recommend a cover 1-2 inches shorter than the furniture for breathability.