

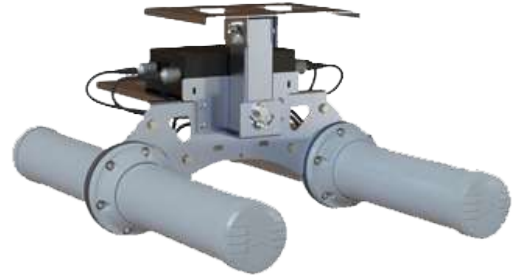
The Heli-22 Wifi

Circular Polarised, Bi Directional Mine/tunnel Antenna

BT151564

Bring WiFi Signal Underground

- Circular Polarised HELI antenna provides enhanced signal propagation and connection stability within a tunnel
- Left-hand Circular (LHC) & Right-hand Circular (RHC) polarised
- Bi-directional – radiates in both directions in a tunnel
- Ruggedized & water ingress protected.
- Ideal for Mining & Tunnel M2M and IoT deployments



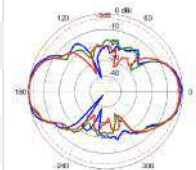
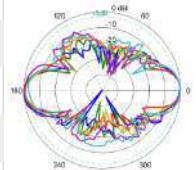
ELECTRICAL SPECS

Product Specifications may change without prior notice.

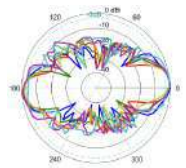
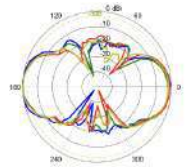
Item No.			
Frequency Range	MHz	2400 – 2500	5000 – 6000
Gain	dBi	9	11
Polarization	Circular		
Ports	No.	4	
SISO / MIMO		2x2 MIMO	
VSWR:		<2:1 Over 90% of the bands	
Input Power, maximum	watt	30	
Impedance	ohm	50	

RADIATION PATTERNS

HORIZONTAL



VERTICAL



MECHANICAL SPECS

Dimensions, H x W x D	mm	603 x 415 x 266	
Weight, without Mounting Kit	kg	5.6	
Radome Material and Color		ABS & PVC Grey	
Mounting Kit		Ceiling Mounted	
Connector Type		N-Male	
Operational Temperature	oC	-40°C to +70°C	
Fire	%	Fire Resistant	
Shipping Dimensions, H x W x D	mm	665 x 465 x 325	
Shipping Weight	kg	5.9	
Ingression Protection Rating		IP65	
Coax Type		RG 58	



QUESTIONS? CALL US TODAY
 (+27)11 749 3085

✉ sales@boltontechnical.co.za

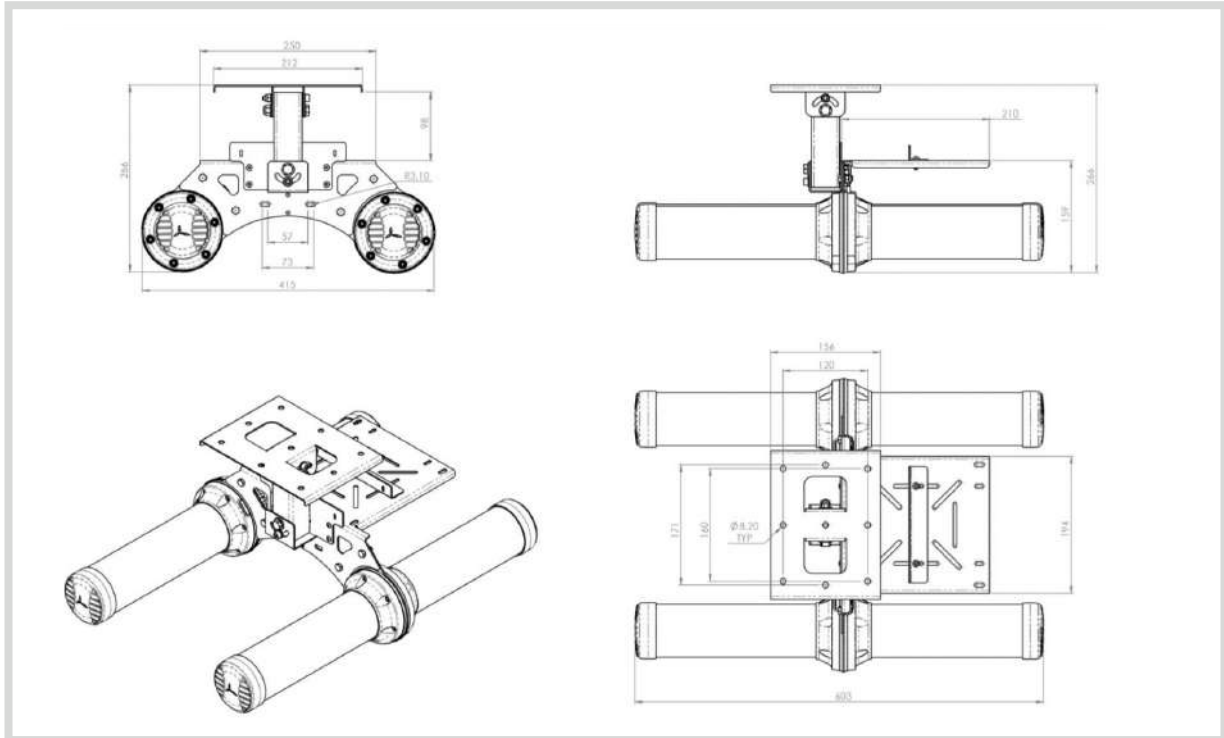
🌐 www.boltontechnical.co.za



The Heli-22 Wifi

Circular Polarised, Bi Directional
Mine/tunnel Antenna

BT151564



Roof Bolt Mounting

This optional 20mm roof bolt mounting bracket attachment is used in conjunction with BRKT-45 for mounting to standard mine roof bolts.

This option uses A-BRKT-047-V1-01.



Ceiling Mount

Multi directional swivel bracket for mounting the antenna to a ceiling.

This option uses A-BRKT-045-V2-01.



QUESTIONS? CALL US TODAY
(+27)11 749 3085



sales@boltontechnical.co.za



www.boltontechnical.co.za

