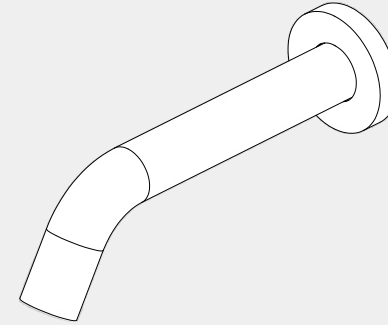


# Mecca Wall Mount Sensor Tap

Nero



Versions:202401

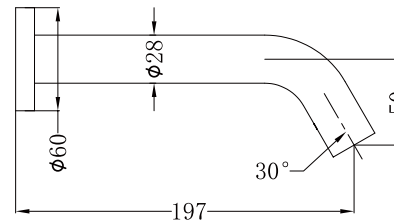
Nero

info@nerotapware.com.au  
nerotapware.com.au

11-13 Buontempo Road  
Carrum Downs Vic 3201



### Drawing



### Specifications

**Watermark License**

WM-060073

**Temperature Rating**

Min 1°C - Max 75°C

**Pressure Rating**

Min 150kpa - Max 500kpa

### Finish & SKU

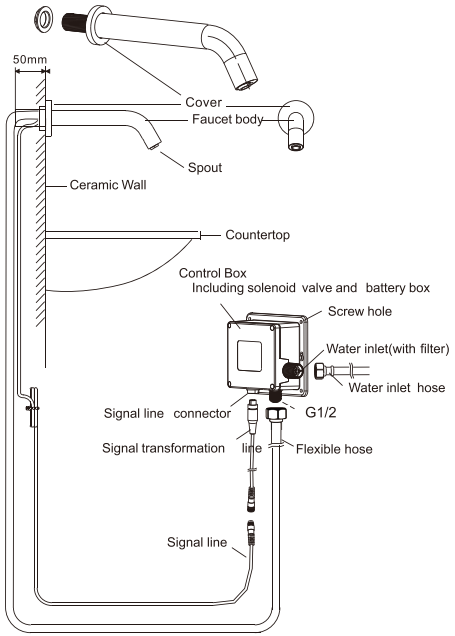
- Chrome  
NR401CH
- Gun Metal  
NR401GM
- Brushed Bronze  
NR401BZ
- Brushed Nickel  
NR401BN
- Matte Black  
NR401MB
- Brushed Gold  
NR401BG
- Matte White  
NR401MW

### Packaging Includes

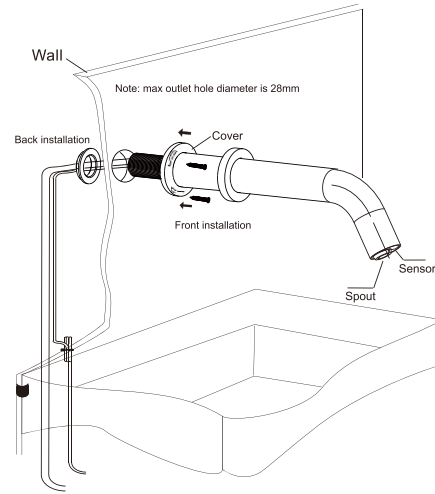
- 1x Sensor Tap
- 1x Control Box
- 1x Power Adapter
- 1x Plate

\*Dimensions are nominal measurements only.

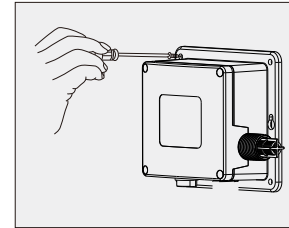
Parts Name



Install Spout



Installation control box



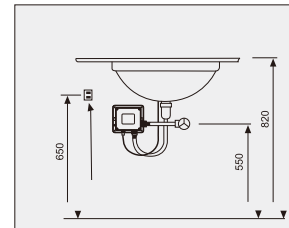
1. Put the control box on wall, drill four holes, then insert the plastic bulged tube

2. Fix the control box on wall by screw

Note:

1. Please close the water supply and power supply before install.
2. Be sure to install control box correct, don't put upside down.
3. For easy to maintain, should be choose the suitable place install control box.

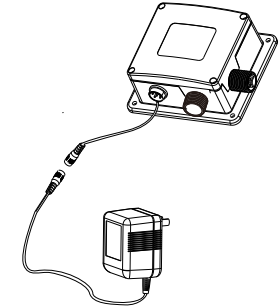
Meanwhile, It must less than 50cm distant from the basin. (Please check the following picture)



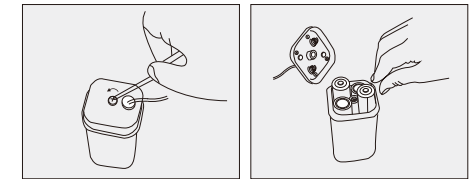
The installation drawing of control box

Power connect

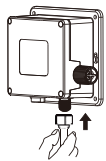
AC: Connect the transformer



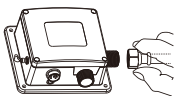
DC: Put in 4AA alkaline battery into the battery box.



Water connect



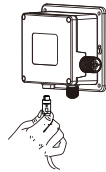
1. Water outlet hose connect  
Connect the spout with control box by flexible hose,



2. Water inlet hose connect  
Connect G1/2 water supply hose with water inlet

**Note:** Be sure no water leakage after connecting water

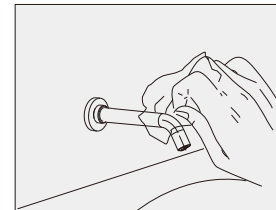
Signal line connect



Connect signal line with control box, then screw tightly

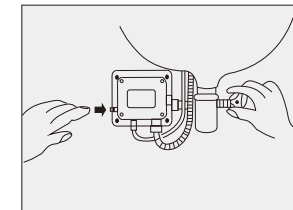
**Note:** Should keep the signal line clear and dry, be sure to work normally

Clear sensor window



After installation, wipe sensor window by soft dry cloth to keep it clean

Detect distance



**ATTENTION:** After initial installation, pls remember to hold down the red reset button for 2 seconds to enable sensor to learn the IR distance to sink.

**Note:** It is normal if there is sound of opening & closing solenoid valve when it is under self-adjustment condition.