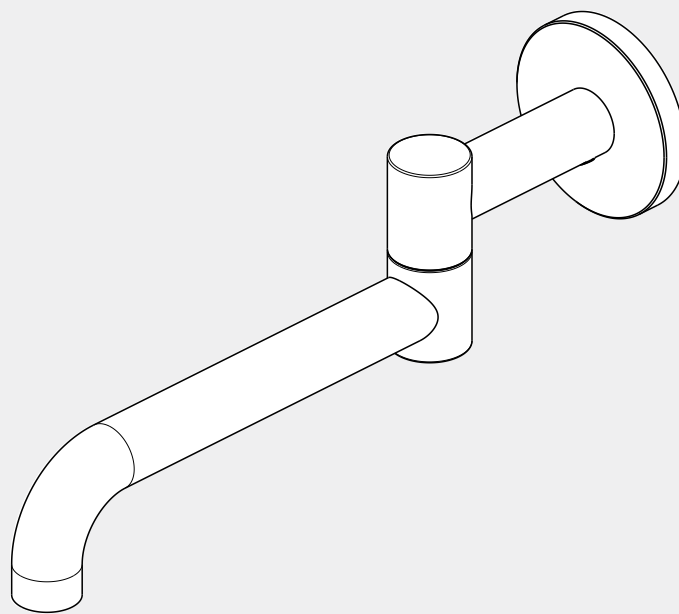


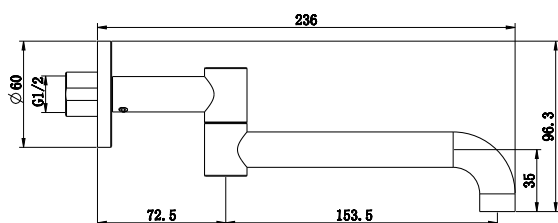
Mecca Wall Mounted Swivel Basin/Bath Spout Only 225mm

Nero



Versions:202401

Drawing



Specifications

Watermark License

WM-060073

Temperature Rating

Min 1°C-Max 75°C








Pressure Rating

Min 150kpa - Max 500kpa

Packaging Includes

1x Spout
1x Plate

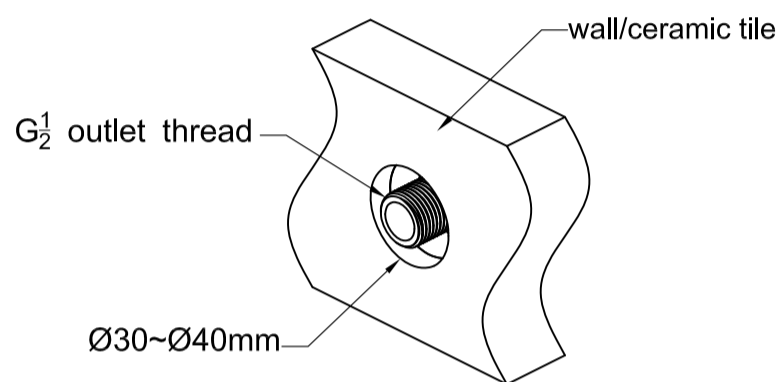
Finish & SKU

 Chrome NR221903gCH	 Gun Metal NR221903gGM	 Brushed Bronze NR221903gBZ	 Brushed Nickel NR221903gBN
 Matte Black NR221903gMB	 Brushed Gold NR221903gBG	 Matte White NR221903gMW	

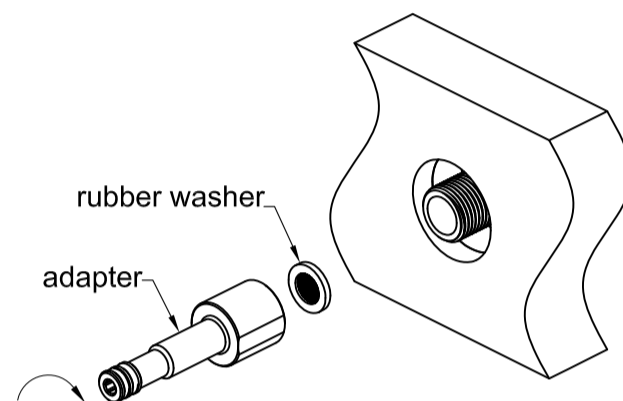
*Dimensions are nominal measurements only.

Installation Instruction

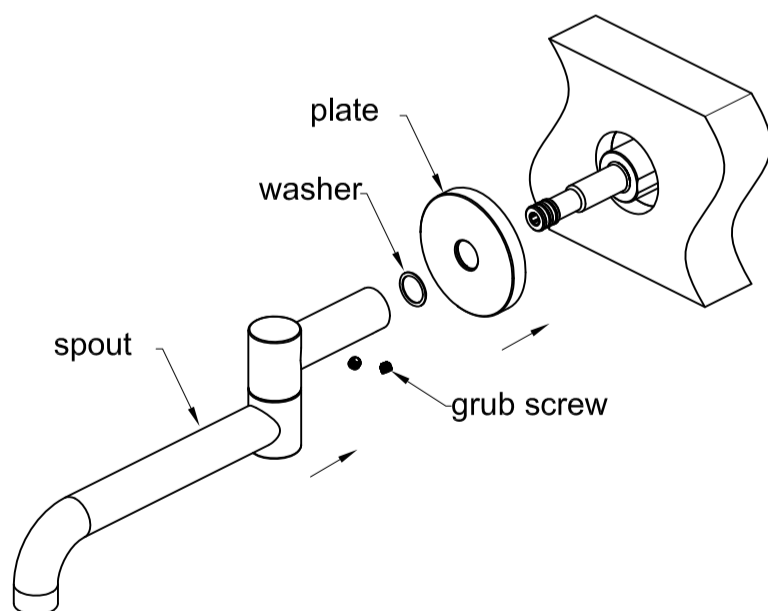
1. Cut off the $G\frac{1}{2}$ outlet thread to flush with the finished wall surface.
Make sure the hole of ceramic tile is $\text{Ø}30\sim\text{Ø}40\text{mm}$.



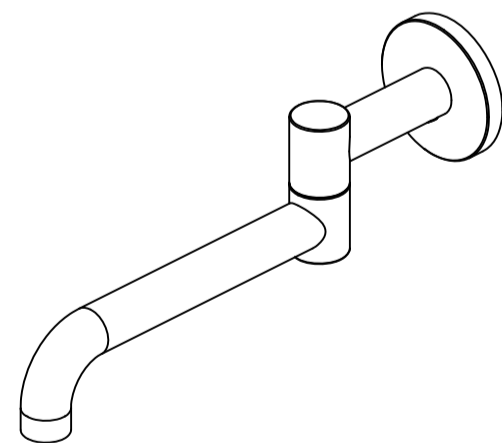
2. Screw the $G\frac{1}{2}$ spout adapter on the outlet thread, and ensure there is rubber washer inside, as shown in the figure.



3. Slide plate, washer and spout onto adapter successively, then screw grub screw into spout with allen key firmly.



4. Test and check for leaks.



Nero

info@nerotapware.com.au
nerotapware.com.au

11-13 Buontempo Road
Carrum Downs Vic 3201

