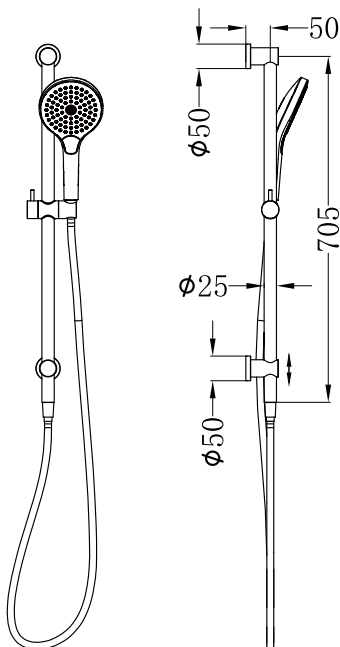


Mecca shower rail with Air Shower II



Dimensions are nominal measurements only.



Versions: V1

SPECIFICATION

WELS RATING	3 STAR 9L/MIN
WATERMARK LICENSE	WM-060073
TEMPERATURE RATING	MIN 1°C-MAX 75°C
PRESSURE RATING	MIN 150KPa-MAX 500KPa

AVAILABLE FINISH

	CHROME NR221905gCH		MATTE BLACK NR221905gMB
	BRUSHED NICKEL NR221905gBN		GUN METAL NR221905gGM
	BRUSHED GOLD NR221905gBG		BRUSHED BRONZE NR221905gBZ
	MATTE WHITE NR221905gMW		

MAINTENANCE AND CARE

All surfaces should be cleaned with mild liquid detergent or soap and water.

Do not use cream cleaners or citrus based cleaning products, as they are abrasive.

Use of unsuitable cleaning agents may damage the surface. Any damage caused in this way will not be covered by warranty.

PACKING INCLUDES

- 1x hand shower (built-in check valve)
- 1x 1.5m PVC hose
- 1x shower rail

Important

All products must be installed by licensed plumbers.

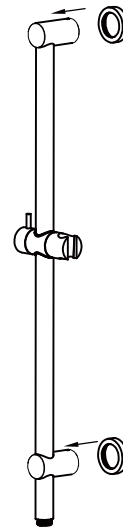
All pipework must be thoroughly flushed prior to installation, as foreign materials may block the flow regulating device and reduce the flow of water.



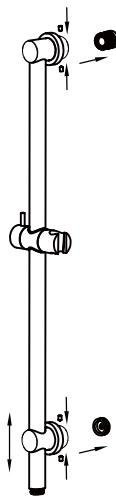
1. Drill a $\phi 6$ mm hole at the downwards outlet vertical downward position in the recommendation range.



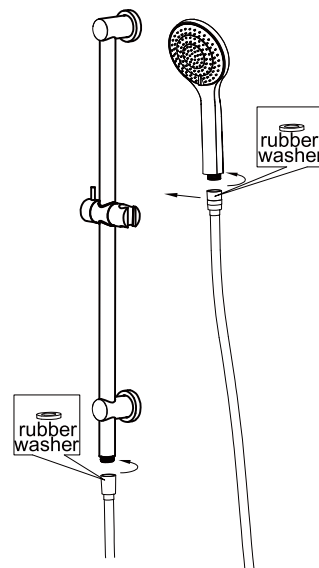
2. Screw the adapter onto the outlet. Push wall plug into drilled hole. Fit lower mounting pillar in place with screw. Tighten firmly.



3. Slide both top and bottom back plate onto the rail assembly, as shown on the picture.



4. Push shower rail assembly onto the wall/tile face. Tighten grub screws firmly. Slide the back plates against the wall/tile face properly.



5. Connect shower rail and hand shower with hose. TEST & CHECK FOR LEAKS.