

# Tide

**Top Thickness**  
Dekton: 80mm  
Caesarestone: 80mm

**Note:**  
• Waste centre: 300mm std  
(may vary depending on basin)

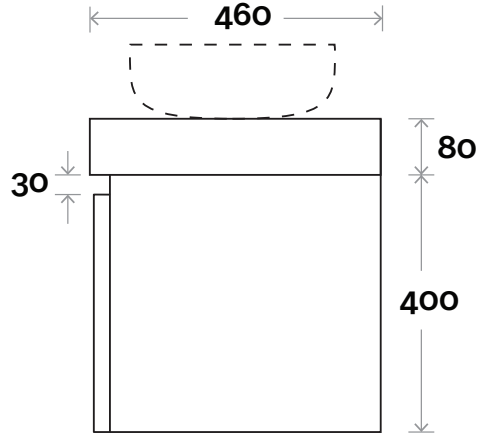
**Tide 1** 600mm centre basin



**Plumbing allowance**

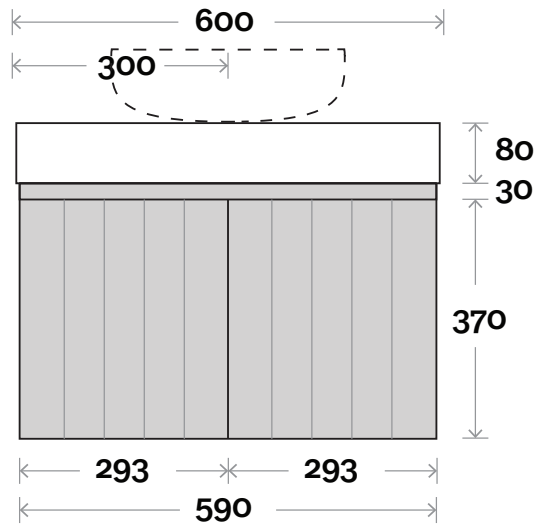
## Profile

Wallmount



## Configuration

Wallmount



# Tide

**Top Thickness**  
Dekton: 80mm  
Caesarestone: 80mm

**Note:**  
• Waste centre: 375mm std  
(may vary depending on basin)

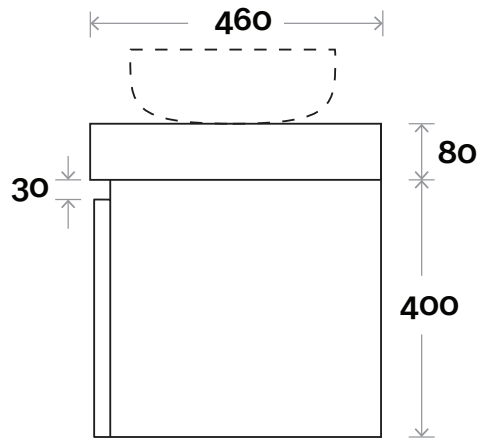
Tide 2 750mm centre basin



**Plumbing allowance**

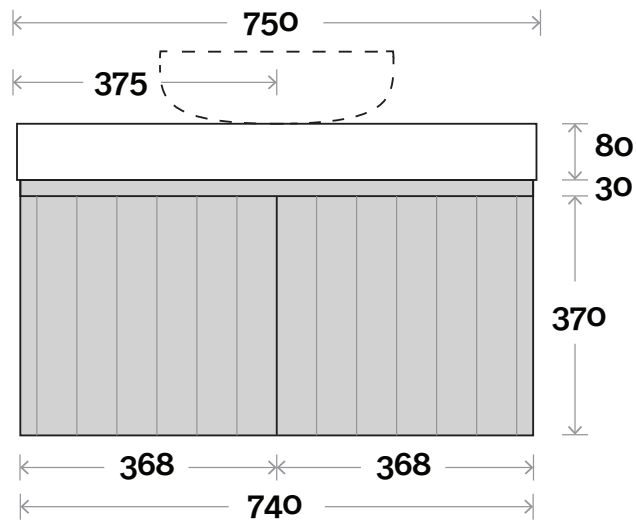
## Profile

Wallmount



## Configuration

Wallmount



# Tide

**Top Thickness**  
Dekton: 80mm  
Caesarestone: 80mm

**Note:**  
• Waste centre: 450mm std  
(may vary depending on basin)

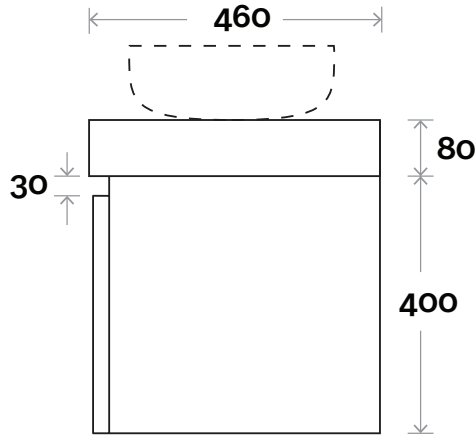
Tide 3 900mm centre basin



**Plumbing allowance**

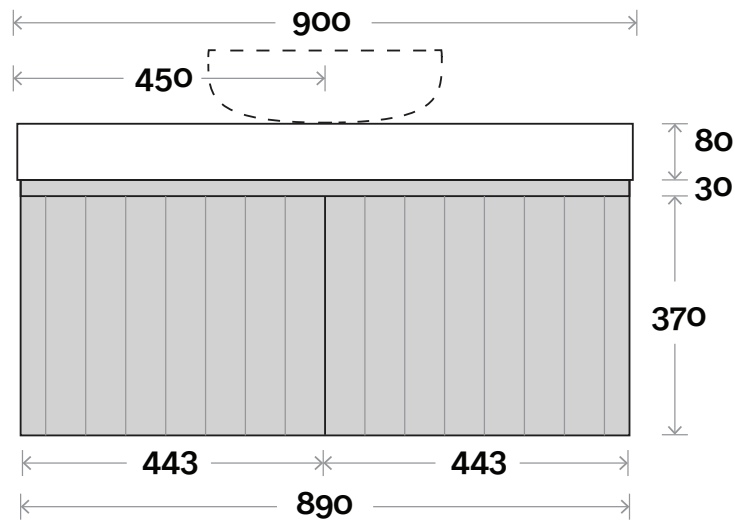
## Profile

Wallmount



## Configuration

Wallmount



# Tide

**Top Thickness**  
Dekton: 80mm  
Caesarestone: 80mm

**Note:**

- Waste centre: 300mm std (may vary depending on basin)
- Available in left or right hand drawers  
Basin on opposite side to drawers

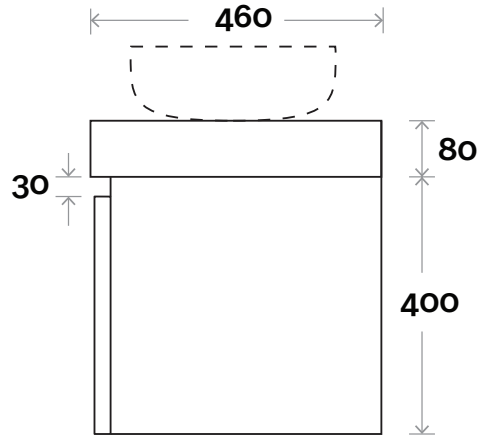


**Plumbing allowance**

**Tide 4** 900mm off centre basin

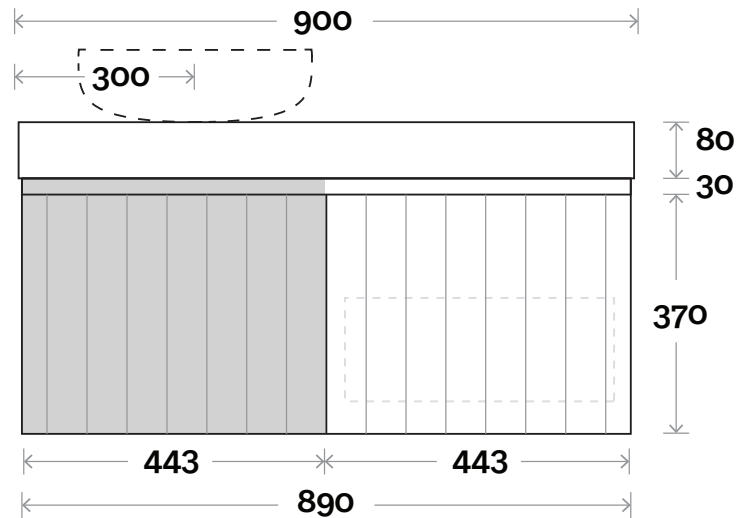
## Profile

Wallmount



## Configuration

Wallmount



# Tide

**Top Thickness**  
Dekton: 80mm  
Caesarestone: 80mm

**Note:**  
• Waste centre: 600mm std  
(may vary depending on basin)

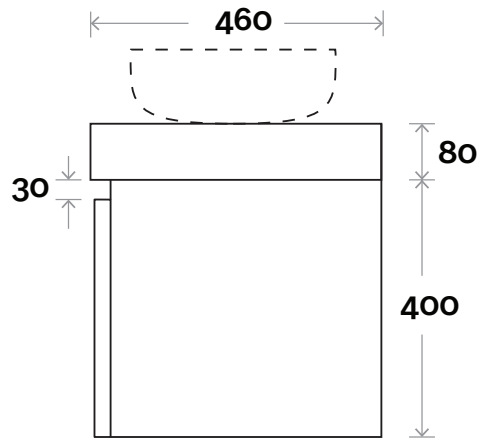
Tide 5 1200mm centre basin



**Plumbing allowance**

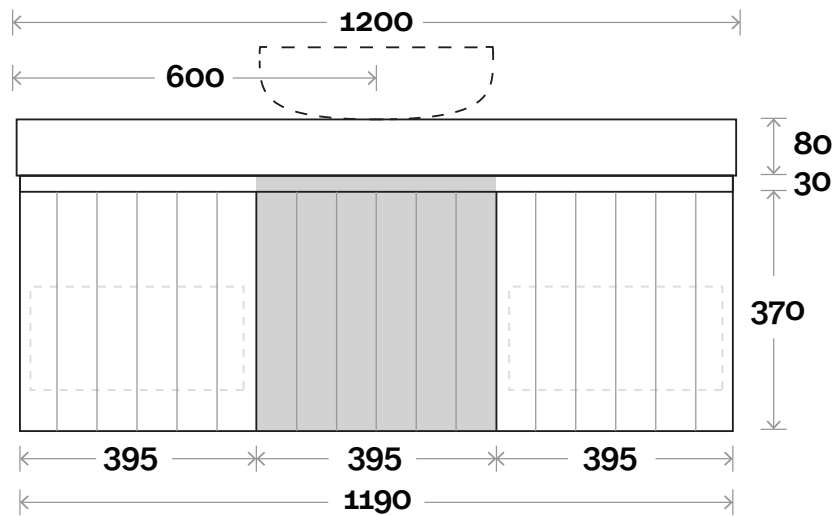
## Profile

Wallmount



## Configuration

Wallmount



# Tide

**Top Thickness**  
 Dekton: 80mm  
 Caesarestone: 80mm

**Note:**  
 • **Waste centre:** 300mm std  
 (may vary depending on basin)  
 • **Available in left or right hand drawers**  
 Basin on opposite side to drawers

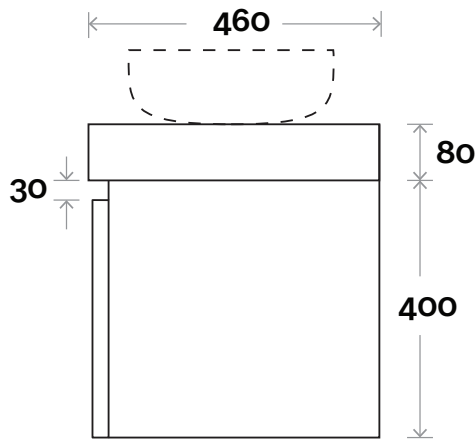


**Plumbing allowance**

**Tide 6** 1200mm off centre basin

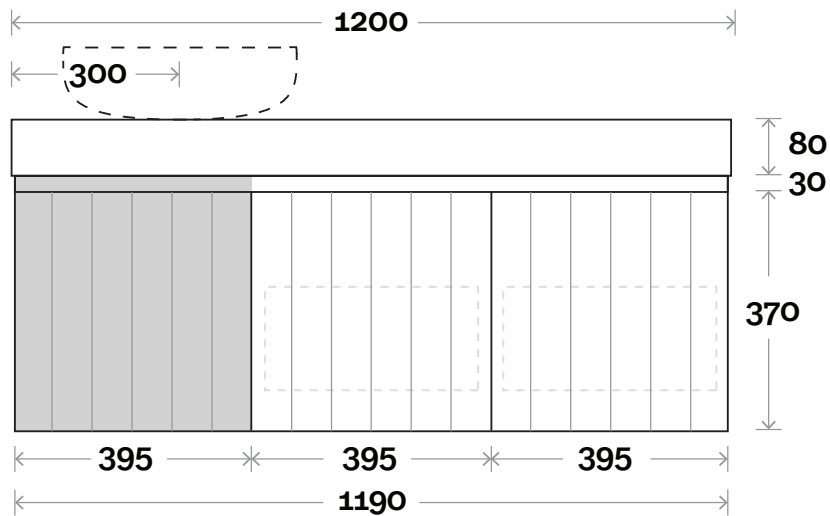
## Profile

Wallmount



## Configuration

Wallmount



# Tide

**Top Thickness**  
Dekton: 80mm  
Caesarestone: 80mm

**Note:**  
• Waste centre: 300mm std  
(may vary depending on basin)

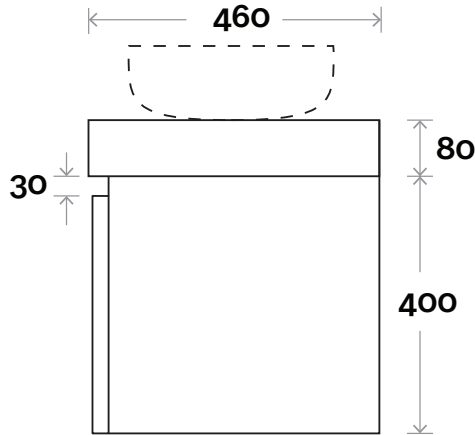
Tide 7 1200mm double basin



Plumbing allowance

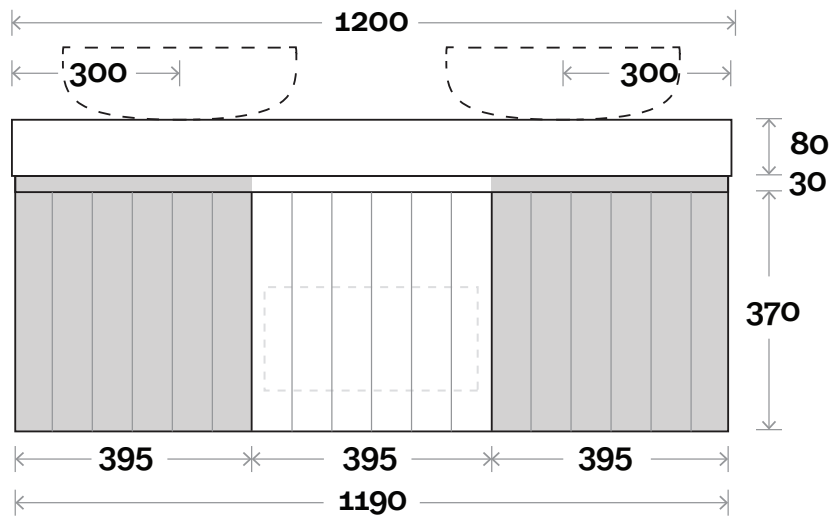
## Profile

Wallmount



## Configuration

Wallmount



# Tide

**Top Thickness**  
 Dekton: 80mm  
 Caesarestone: 80mm

**Note:**  
 • Waste centre: 750mm std  
 (may vary depending on basin)

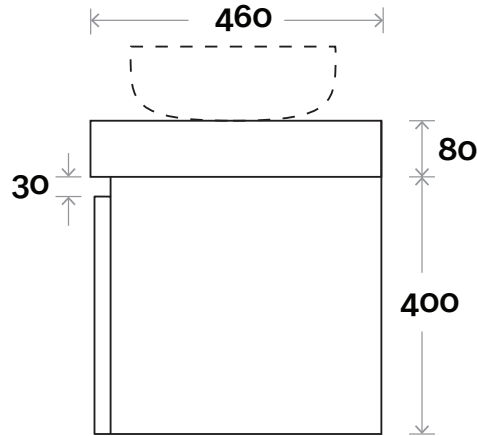


**Plumbing allowance**

**Tide 8** 1500mm centre basin

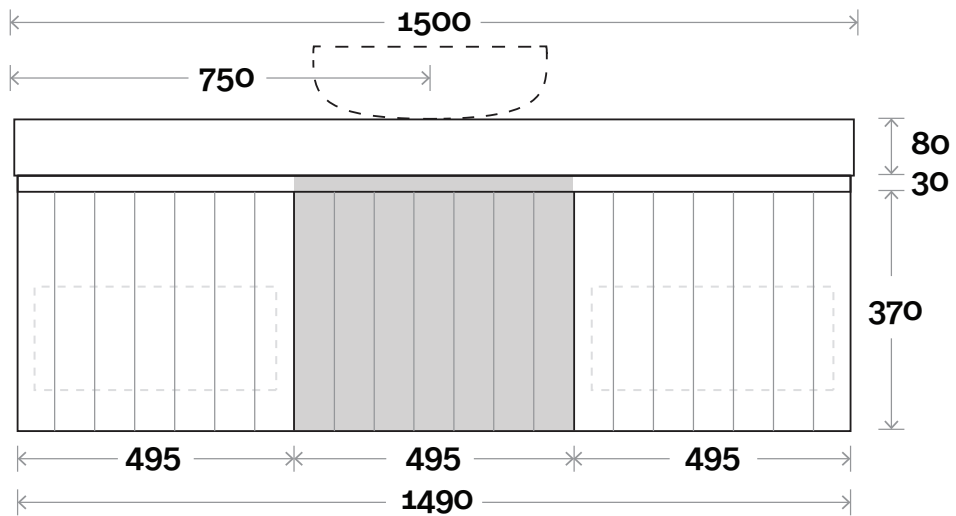
## Profile

Wallmount



## Configuration

Wallmount





# Tide

**Top Thickness**  
 Dekton: 80mm  
 Caesarestone: 80mm

**Note:**

- **Waste centre:** 375mm std (may vary depending on basin)

- **Available in left or right hand drawers**  
 Basin on opposite side to drawers

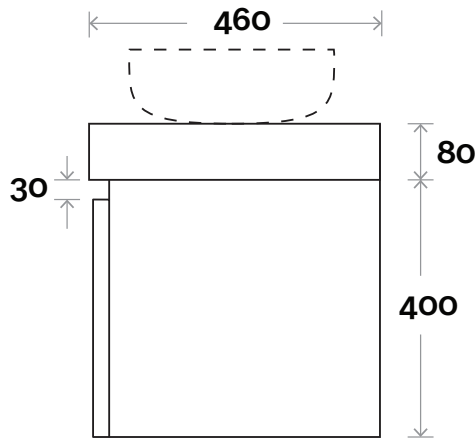


**Plumbing allowance**

**Tide 9** 1500mm off centre basin

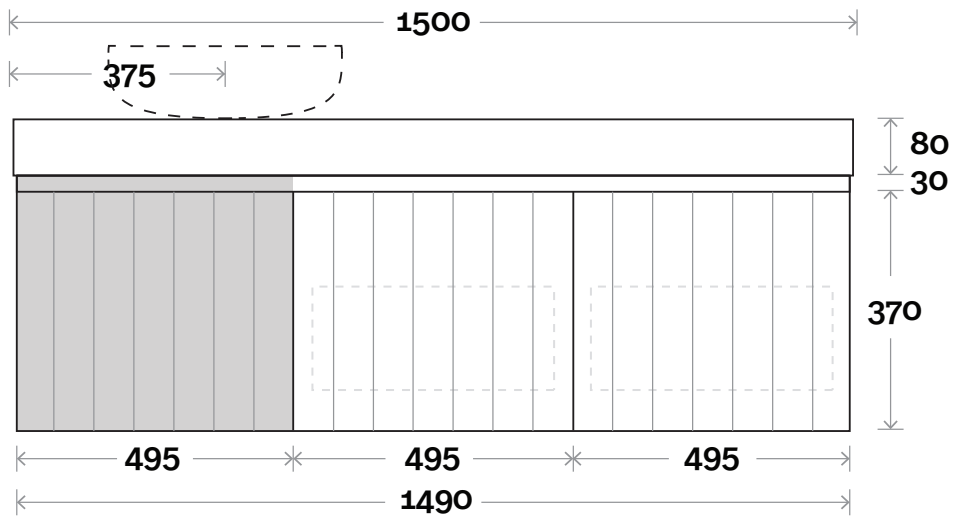
## Profile

Wallmount



## Configuration

Wallmount



# Tide

**Top Thickness**  
Dekton: 80mm  
Caesarestone: 80mm

**Note:**  
• Waste centre: 375mm std  
(may vary depending on basin)

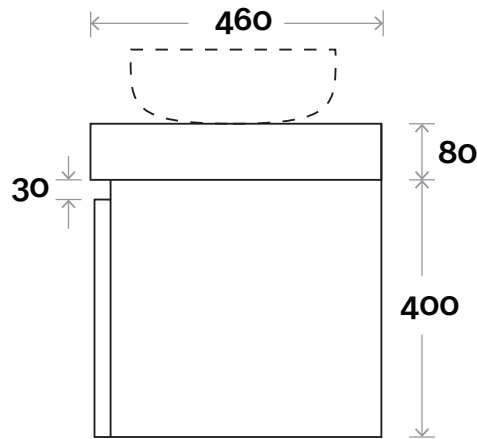
**Tide 10** 1500mm double basin



**Plumbing allowance**

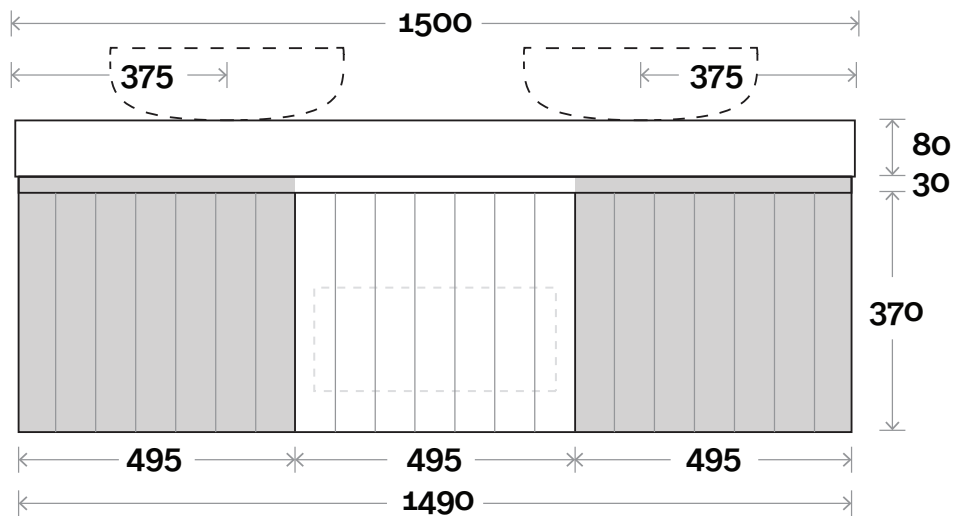
## Profile

Wallmount



## Configuration

Wallmount




# Tide

**Top Thickness**  
Dekton: 80mm  
Caesarestone: 80mm

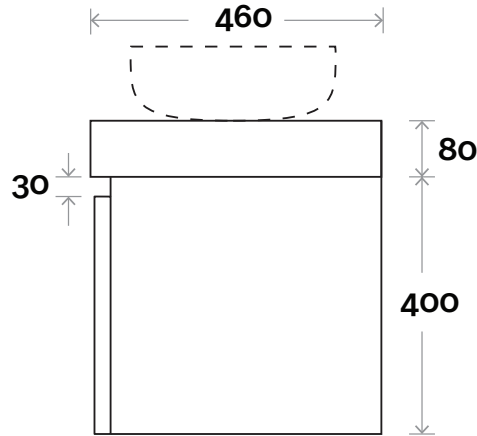
**Note:**  
• Waste centre: 900mm std  
(may vary depending on basin)

**Tide 11** 1800mm centre basin

  
**Plumbing allowance**

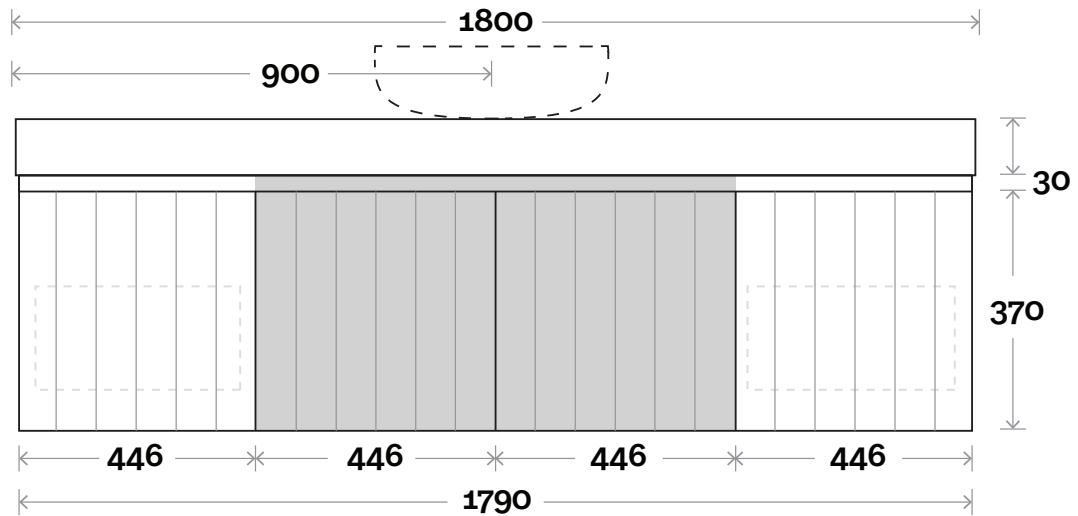
## Profile

Wallmount



## Configuration

Wallmount



# Tide

**Top Thickness**  
 Dekton: 80mm  
 Caesarestone: 80mm

**Note:**  
 • **Waste centre:** 450mm std  
 (may vary depending on basin)  
 • **Available in left or right hand drawers**  
 Basin on opposite side to drawers

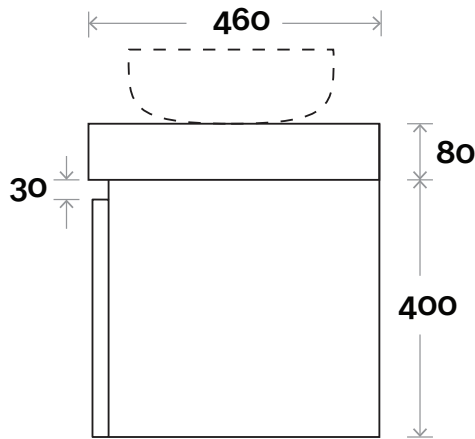


**Plumbing allowance**

**Tide 12** 1800mm off centre basin

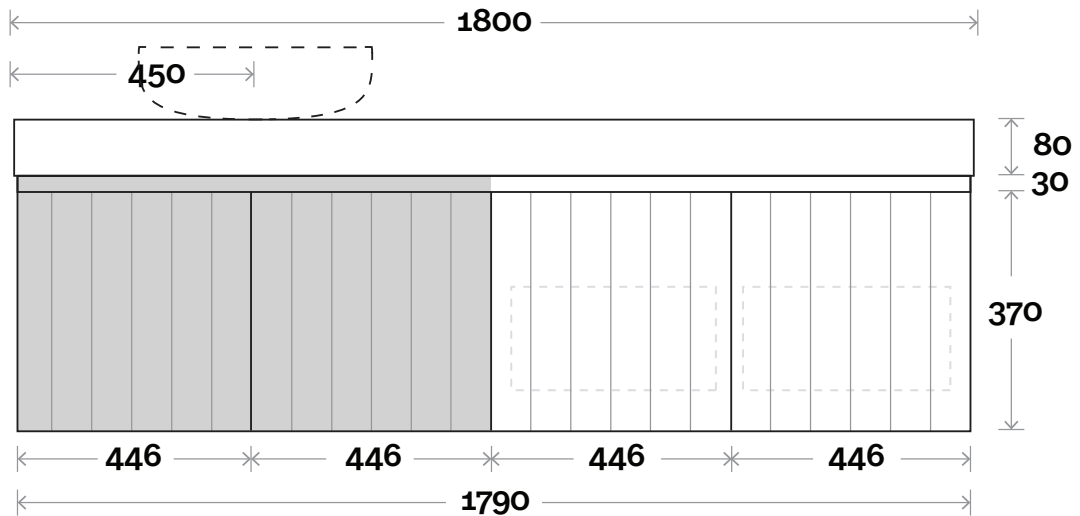
## Profile

Wallmount



## Configuration

Wallmount




# Tide

**Top Thickness**  
 Dekton: 80mm  
 Caesarestone: 80mm

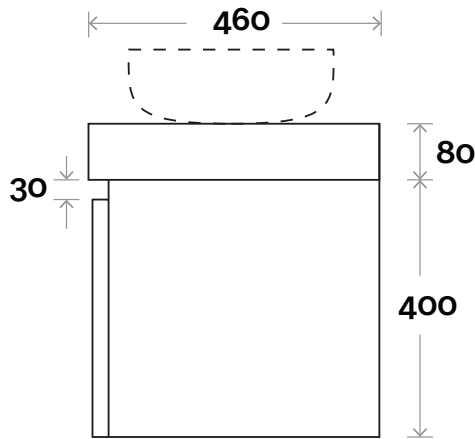
**Note:**  
 • Waste centre: 450mm std  
 (may vary depending on basin)

**Tide 13** 1800mm double basin

 **Plumbing allowance**

## Profile

Wallmount



## Configuration

Wallmount

