



40MM POP-UP DOME BATH WASTE

DESCRIPTION

40mm Pull-out Pop-up Dome Bath Waste

FEATURES

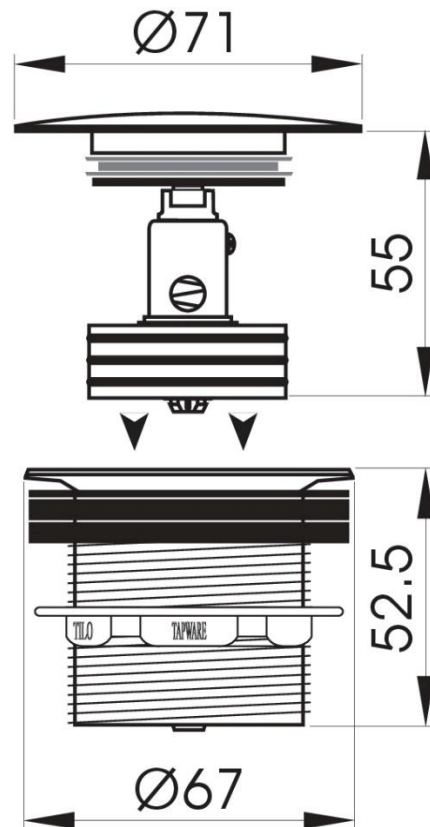
- Fully removable plug and grate unit
- Custom designed doubled layered silicone plug seal
- Fully tested for watertightness up to 1.2mtrs head of water
- Meets requirements of AS-1589
- Solid DR Brass construction
- Hot pressed for strength and longevity
- Durable high density electroplate finish
- Suitable for bath & spa use
- 5-year parts warranty on Pop-up wastes from date of purchase

DETAILS

Part Code: TW-26

Available Finish: Chrome

TECHNICAL DETAILS



Note: Illustrations and specifications may vary from time to time