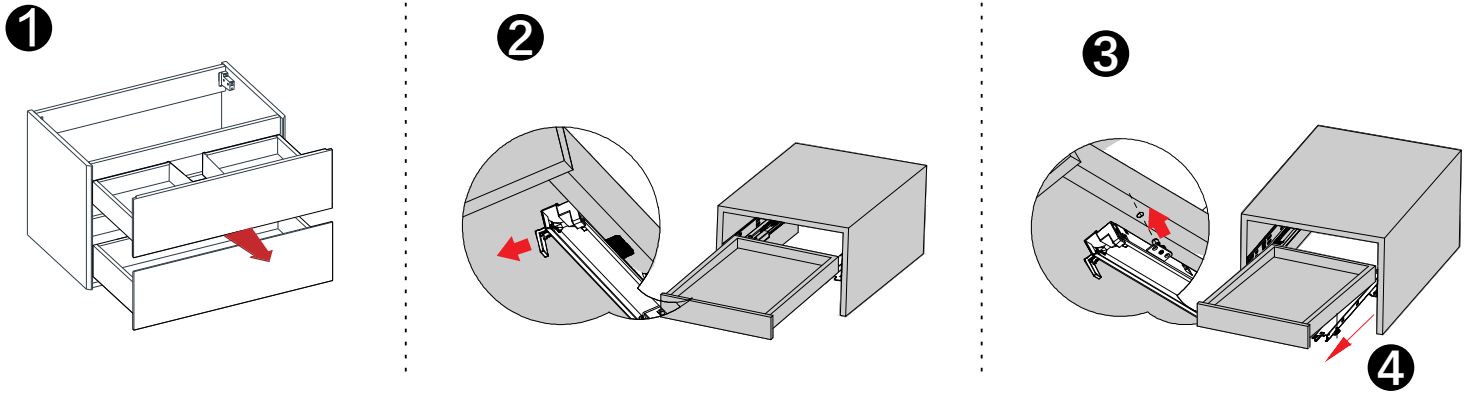
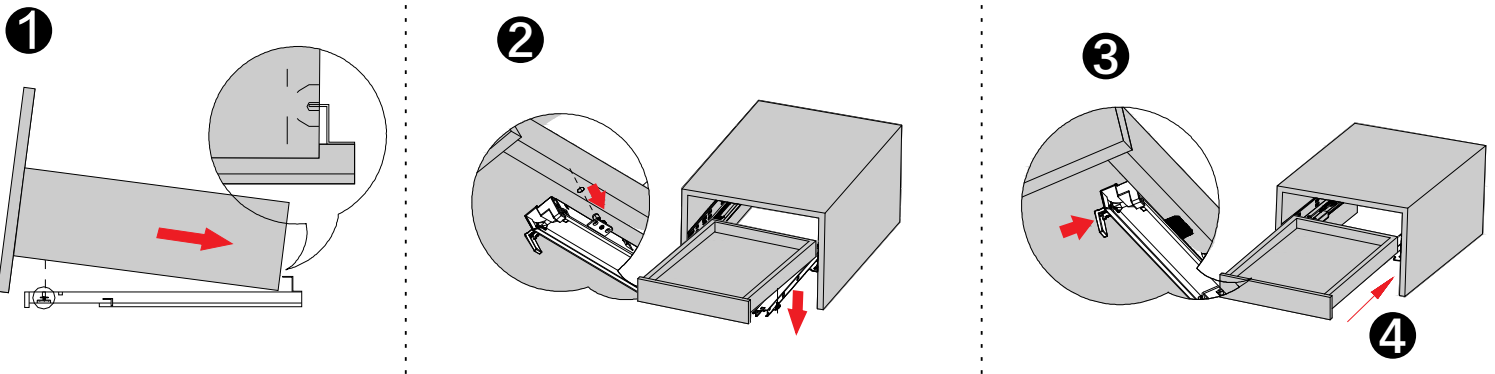


# INSTALLATION DRAWER

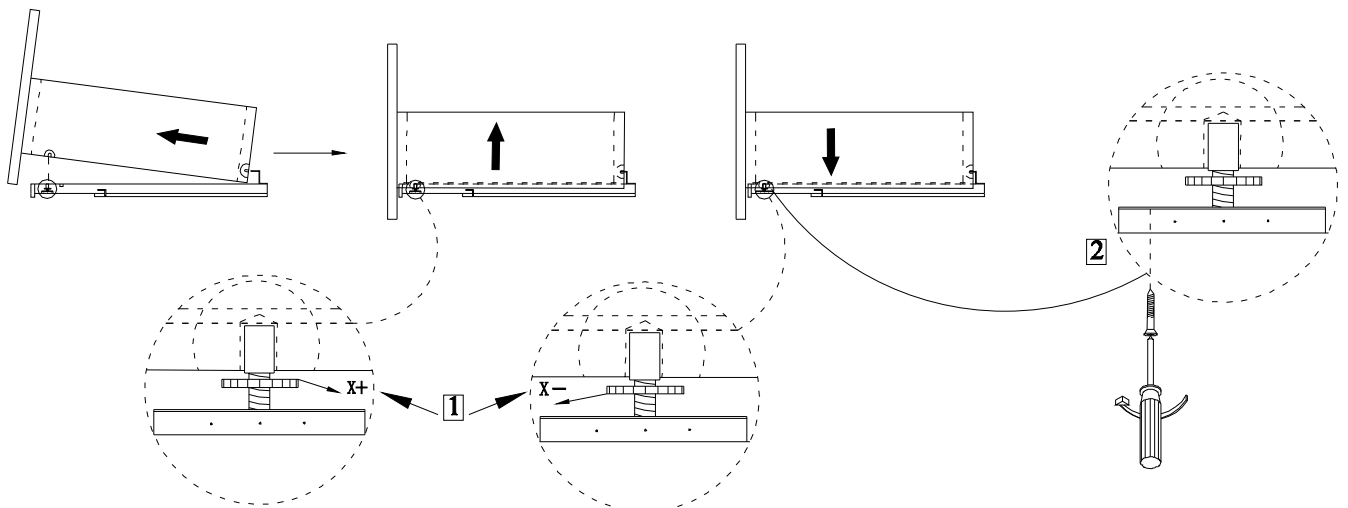
## Removing drawer



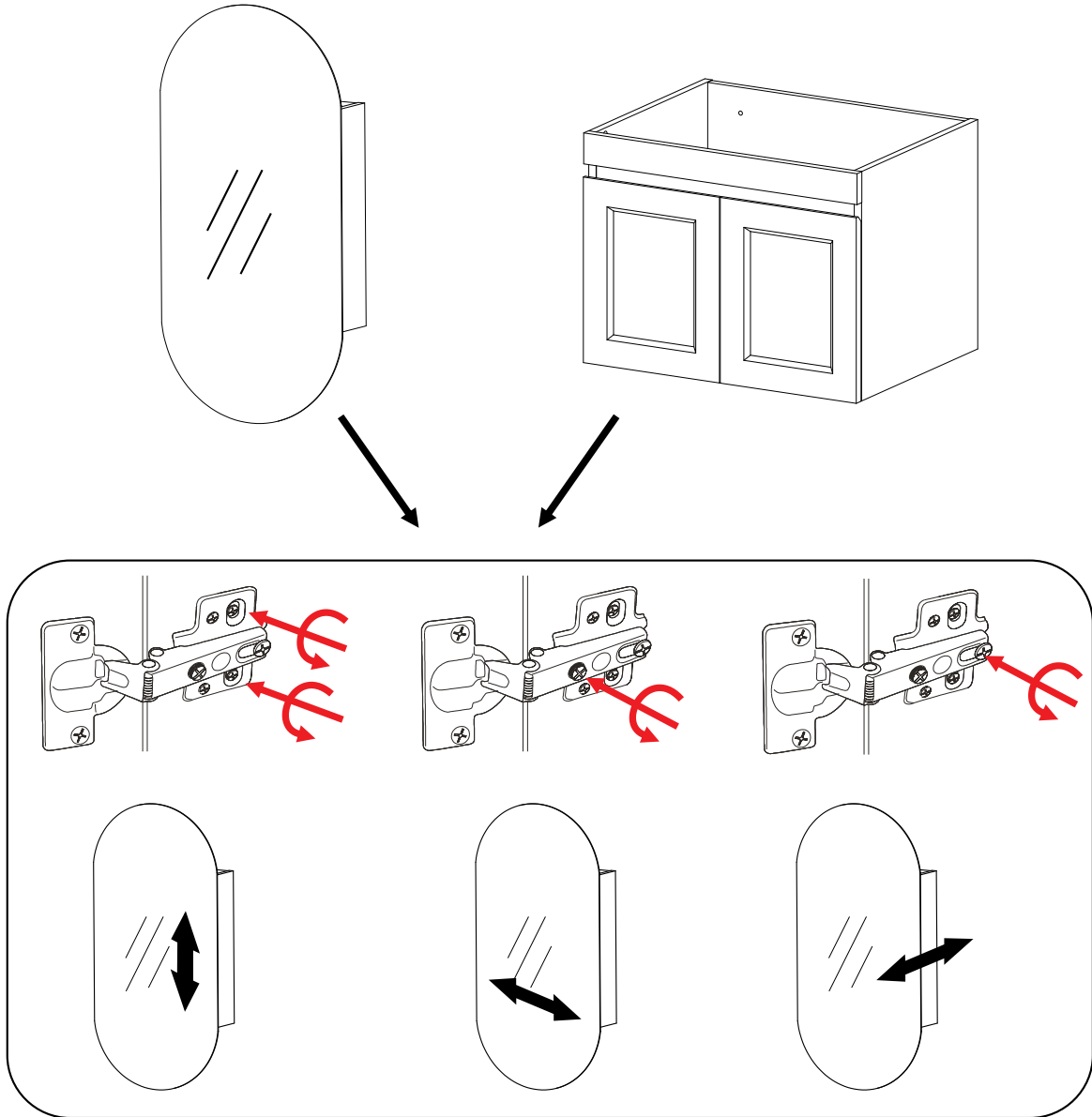
## Assemble



# ADJUSTMENT OF DRAWER



# ADJUSTMENT OF DOOR



## TAKE OFF /ON THE DRAWER

