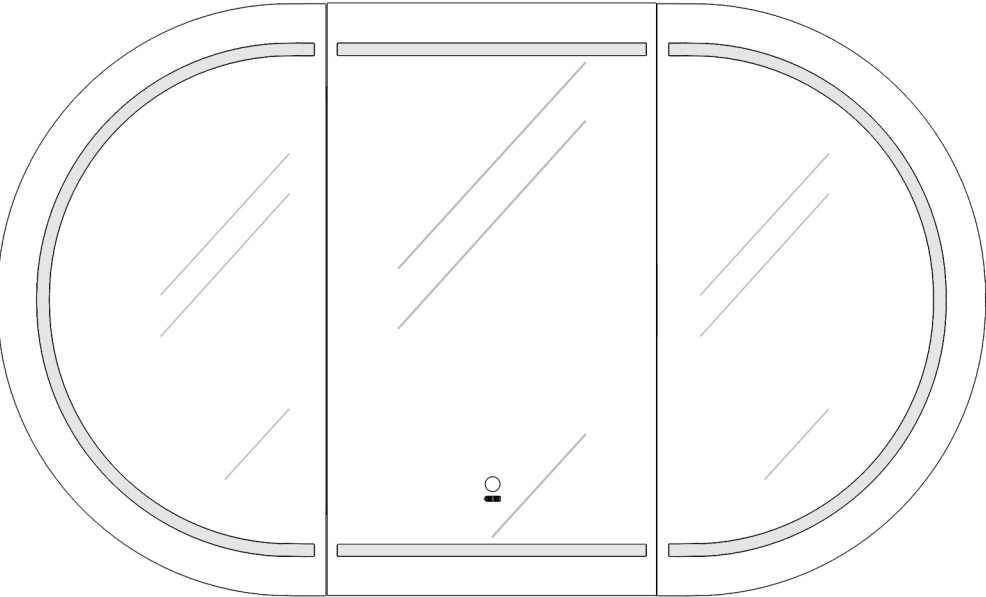


UNIVERSAL USER MANUAL



LED SHAVING CABINET

▲ Warning:

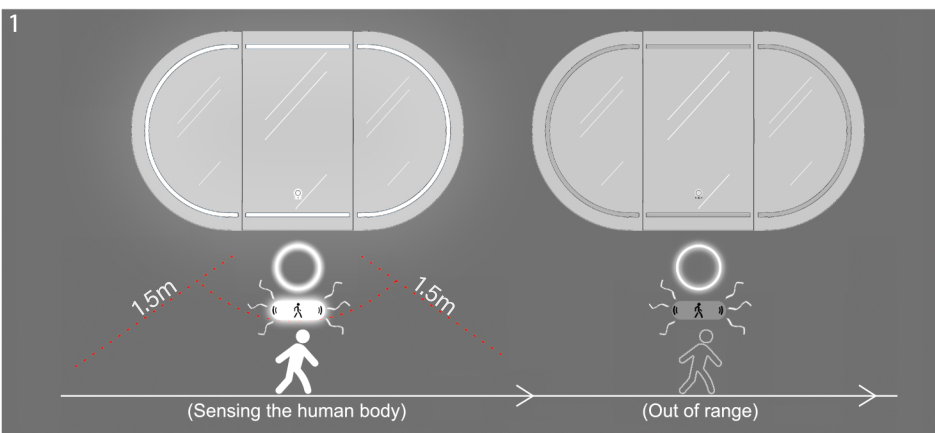
- Please conduct an inspection of the package contents for any signs of damage that may have occurred during shipping.
- In the event of any damage, please promptly get in touch with the reseller or supplier to initiate a warranty claim. It is important to note that once the product is installed, neither the supplier nor the resellers bear any liability for potential damage.
- 1. Check the tolerance value of the outer dimension of the mirror cabinet (+3, -3), and the tolerance value of the opening and slot (+0, +5)
- 2. Check whether the mirror surface is clear, whether there are scratches, bubbles, scratches, cracks, black edges, light transmission, sand, pitting, etc.
- 3. Check whether the paint on the back of the mirror is smooth, scratches, paint and other defects.
- 4. Check the image of the mirror is clear, and the surface image is convex and deformed.
- 5. Check whether the processing technology is in accordance with the design requirements.
- 6. Check that the light of the mirror cabinet with light source should be soft, evenly opened and smooth without blinking.
- 7. Check that the installation and configuration of lamps, switches, power supplies and other electrical appliances and hardware should be firm and grounded reliably.
- 8. Check that the sensitive response delay of the operation switch is within 0.5S.
- For safety considerations, we kindly request that you thoroughly review this installation and user guide prior to installing and using the product.
- It is imperative that a licensed electrician performs the installation.
- We recommend consulting a qualified electrician to ensure the installation location complies with the necessary standards.
- Handling Recommendations: Avoid placing the shaving cabinet on a hard surface, and always lift it with two people or more.
For cleaning and maintenance, wipe the mirror surface with a few drops of methylated spirits or isopropyl alcohol.

Warranty:

- Customers can contact us for refund or replace your product if there are defective due to faulty materials, craft or function within one year of purchase or delivery.
- This is not applicable should:-
- 1. Damage is caused by not carrying out the recommended appliance maintenance.
- 2. Accidental damage, faults caused by negligent use or care, misuse, neglect, careless operation or handling of the appliance is not by our operating manual.
- 3. Use of the device for anything other than regular domestic household purposes.
- 4. Faulty installation.
- If you are in any doubt as to what is covered by your guarantee, please contact us.

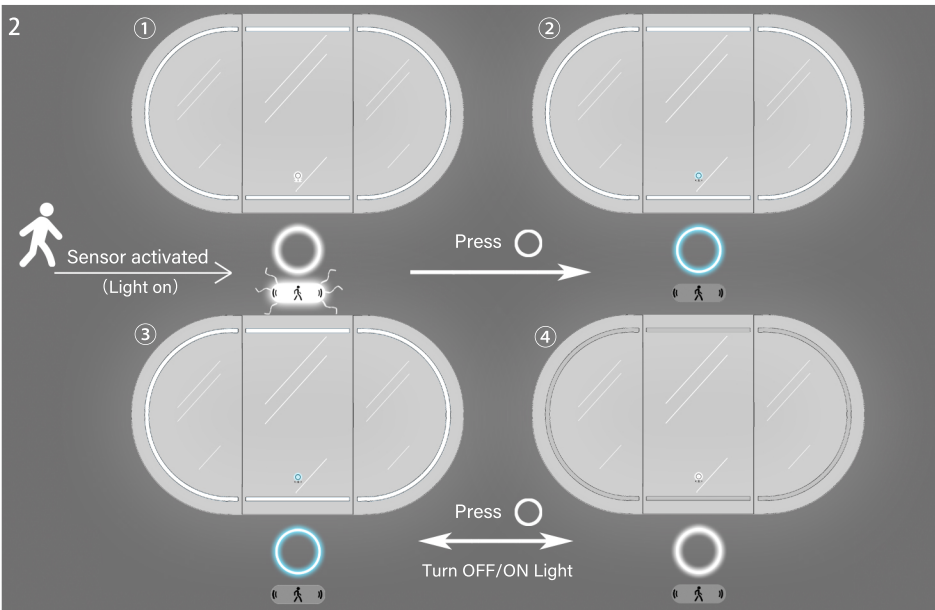
Touchless control:

- Motion sensor proximity Radar controls the entire device on/off.



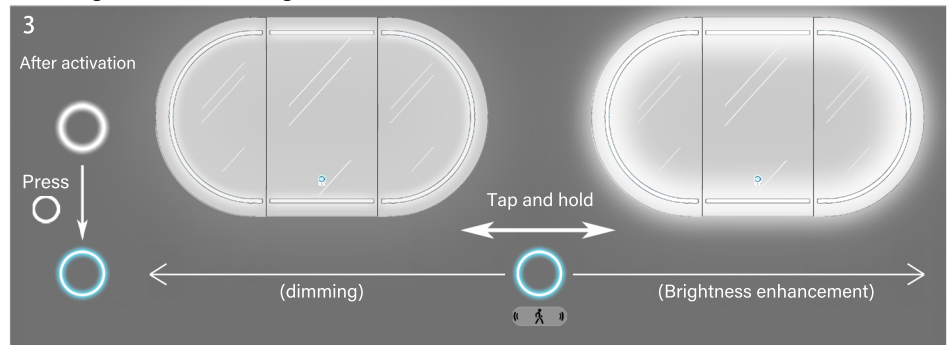
Manual Control:

- You can switch the lights on and off manually.



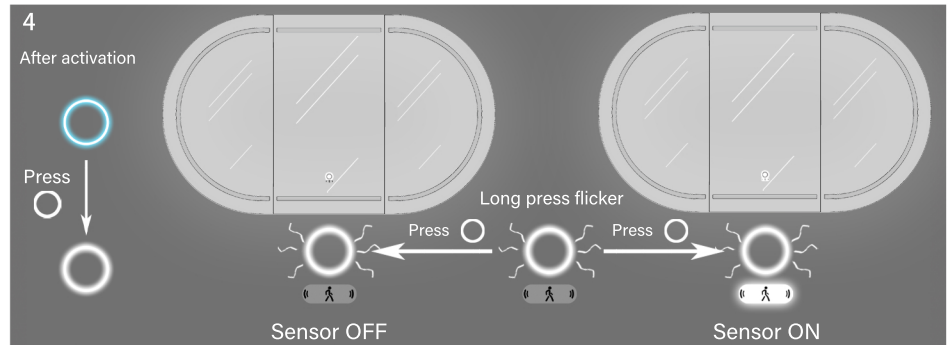
Light intensity:

- After activation. Under Light on and button blue. Long press to control the brightness of the light.

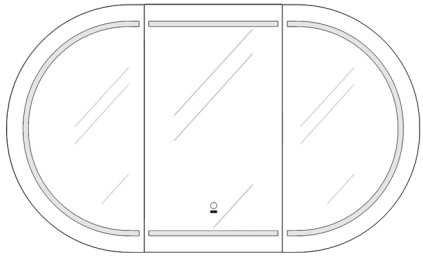


Sensor switch:

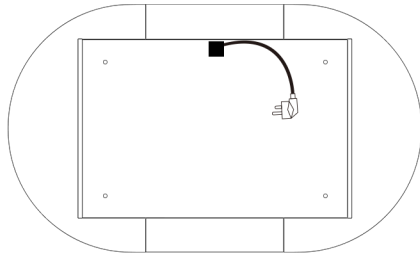
- After activation. In Light off and button white state. Long press to control sensor switch.



- ▲ **Intelligent sensor:** Turn off the light manually when the sensor is on, and turn on the induction mode automatically after 10s of no operation
- ▲ **Memory function:** Set the brightness you want, it will keep your setting. When restart in the next time, it will retain the last setting.
- ▲ **On/Off keying:** Long press the blue button to adjust the brightness of the light. Long press the white button and the button blinks. Tap again to turn the sensor on or off.
- ▲ **Touchless control:** Turn on light when close to radar sensor less than 120-150CM, The light will be turned off after 25s when keep away from the sensor.
- ▲ **Energy saving function:** All light will be turned off one hour later automatically if you forget to close them.

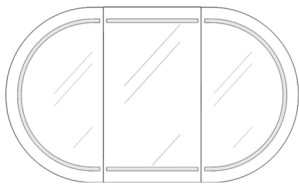


Front

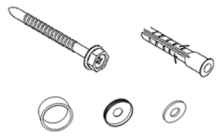


Back

PACKAGE CONTENTS



a



b

Piece	Description	Quantity
a	LED Shaving cabinet	1
b	Wall Anchors/Screws/Parts for mouting/Caps	4

TOOLS REQUIRED



DRILL



DRILL BITS



SCREWDRIVER BITS



MEASURE TAPE



PENCIL

IMPORTANT SAFETY INSTRUCTIONS

Pre-Installation

PLANNING INSTALLATION

Compare all parts with the part listed in the package contents section if any part appears missing or damaged. Do not install and use this light. Contact customer service.

WARNING: RISK OF ELECTRICALSHOCK

- Turn off electrical power at fuse or circuit breaker box before wiring fixture to the power supply.
- Turn off the power when you perform any maintenance.
- Please verify that the supply voltage is correct by comparing it with the luminaire label information.
- Make all electrical and grounded connections under the National Electrical Code, and any applicable local code requirement.

CAUTION: RISK OF INJURY

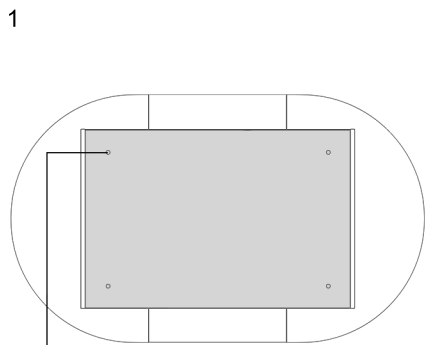
- Wear gloves and safety glasses when removing luminaire from the carton, installing, servicing or performing maintenance.
- Avoid direct eye exposure to the light source while it is on.
- Account for small parts and destroy packing material, as these may be hazardous to children.
- Mirrors are heavy. Get assistance lifting the unit. This installation is most straightforward when performed by two people.

WARNING: RISK OF BURN

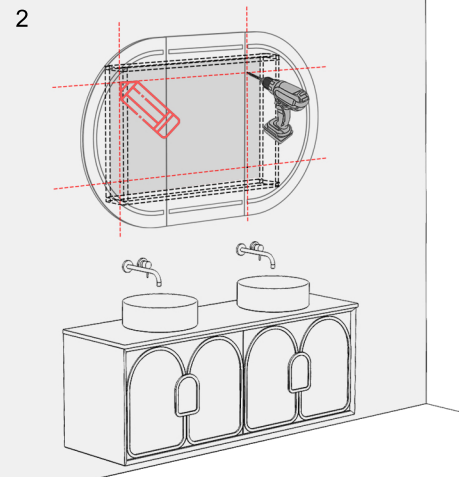
- Allow fixture to cool before handling. Do not touch enclosure or light source.
- Follow all lamp manufacturer's warnings, recommendations and restrictions for driver type, burning position, mounting locations/methods, replacement, and recycling.

CAUTION: RISK OF FIRE

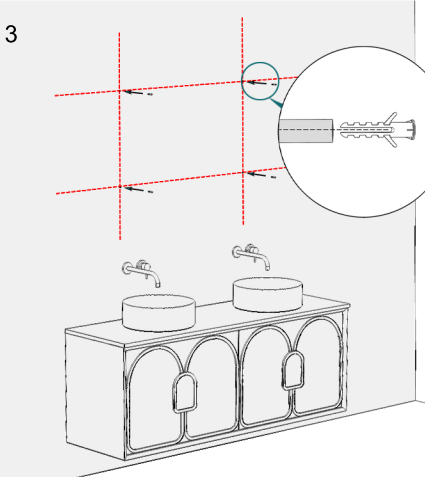
- Keep combustible and other materials that can burn away from luminaire and lamp/lens.



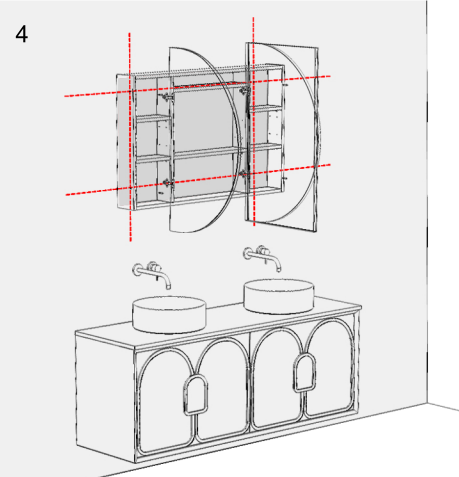
b accessory will be used in four hole positions.



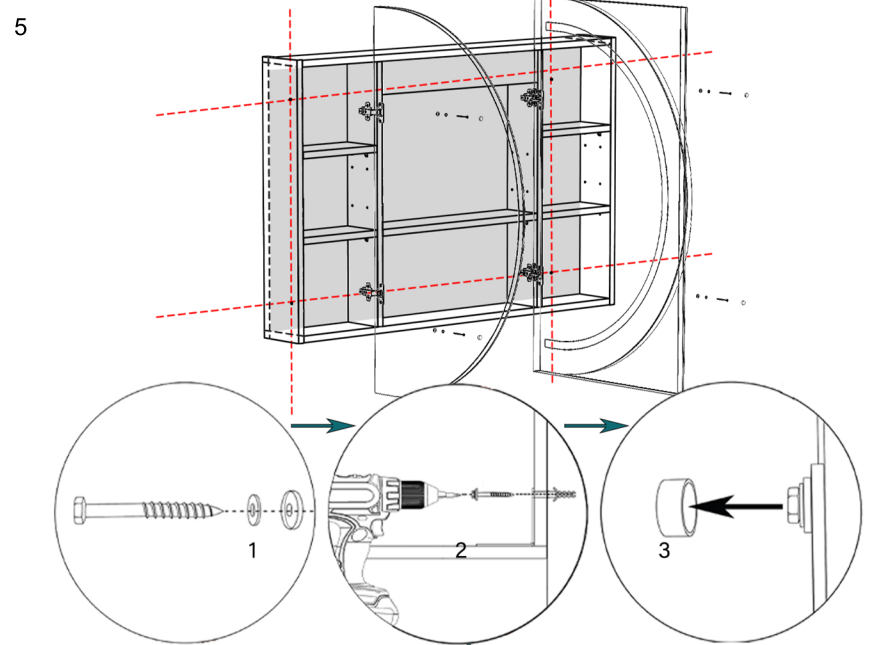
1. Record pre-installation position, size and hole position of hanging plate.
2. Drill a hole in the wall with a drill.



Hammer in wall anchor into the drill holes.



Align the mirror cabinet holes with the drilling holes for subsequent installation.

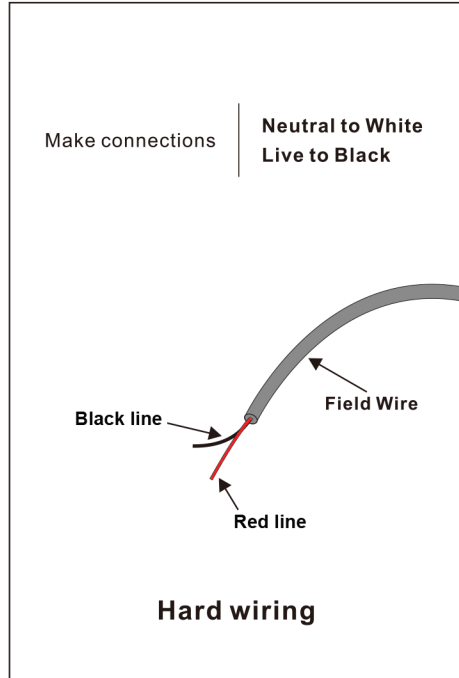
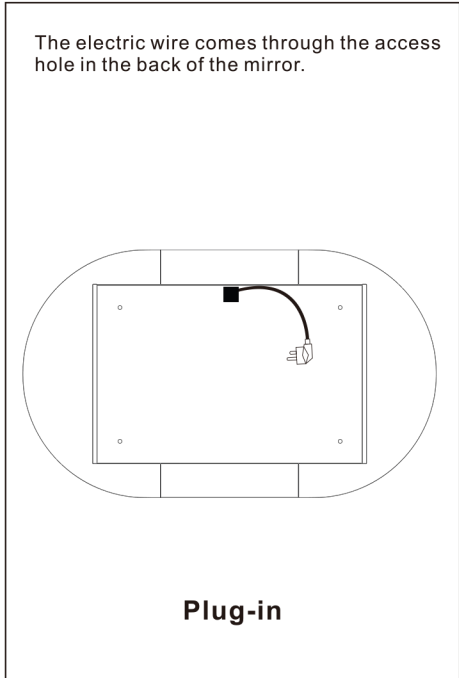


Assemble screws, rings, and parts for mounting. Mount mirror cabinet to wall and install all screws and rings. Ensure all fixing points are secure and tightly screwed in. Add caps to conceal screws.

ELECTRIC CONNECTIONS

ALL WIRING SHOULD BE DONE BY A QUALIFIED LICENCED ELECTRICIAN

- ▲ **A WARNING:** Shut off power before wiring the mirror.
- ▲ **A WARNING:** When used in bathrooms and in all other locations as required by the National Electrical Code, the electrical selector must be connected to a 220-240V (grounded dirt interrupter) protection circuit.
- ▲ **A CAUTION:** Requires 220-240VAC 50/60Hz



IMPORTANT SAFETY INSTRUCTIONS

WARNING: RISK OF ELECTRICALSHOCK

- Turn off the power when you perform any maintenance.
- Please verify that the supply voltage is correct by comparing it with the luminaire label information.
- Make all electrical and grounded connections under the National Electrical Code, and any applicable local code requirement.

PAY ATTENTION TO INSULATION

- The insulation of wire is one of the important measures to ensure safety.
- When wiring, pay attention to keep the insulation of the wire intact to avoid exposing the wire or damaging the insulation.
- Wear insulation gloves during operation.

KEEP THE CABLE CONNECTION DRY

- When connecting the wire, keep the outside of the wire dry.
- Damp conditions may cause short circuits or damaged insulation.
- For a humid environment, take moisture-proof measures, such as using moisture-proof tubes.

PAY ATTENTION TO WIRE COLOR

- Therefore, when connecting the wire, be sure to pay attention to the color of the wire to ensure correct wiring.
- Plugs of the same color are connected to each other.

DON'T OVERSTRETCH THE WIRES

- Do not pull the wire excessively, so as not to break the wire or damage the insulation.
- For the wires that need to be connected, the appropriate length and curvature should be maintained, and no crossing or interleaving should be avoided.

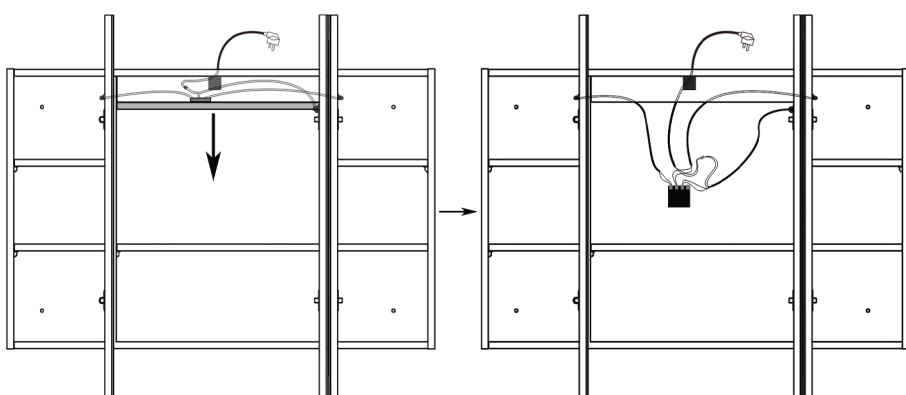
Please don't open it unless wiring! Please contact us if any exception occurs after installation. Unauthorized unpacking is not covered by the warranty! We have quality inspection before packing.

Specifications:

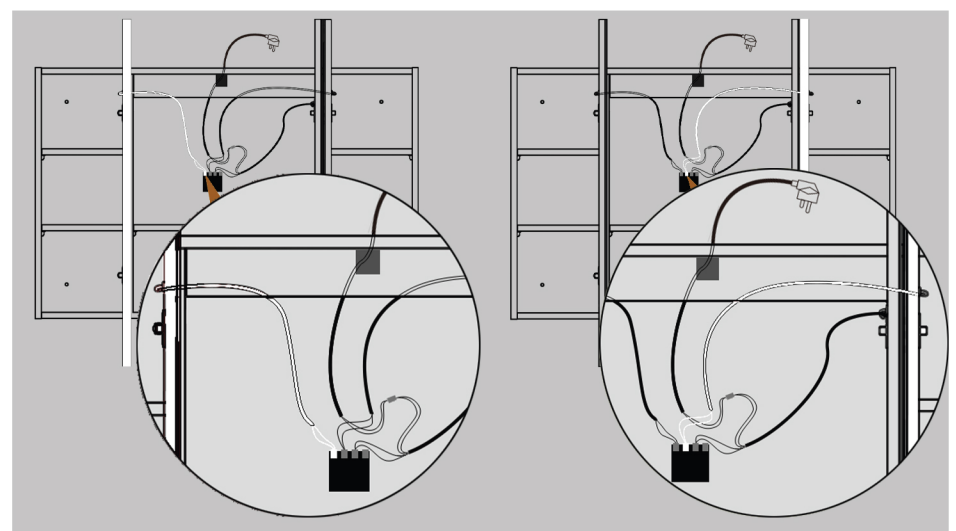
Connection	Plug-wiring
Mounting Way	Wall-mounted
Switch Type	Touch ON/OFF
Voltage	220~240V
Light Color	Warm white/Natural white/Cool white
Memory Function	Yes
CRI	>80

Flat cable:

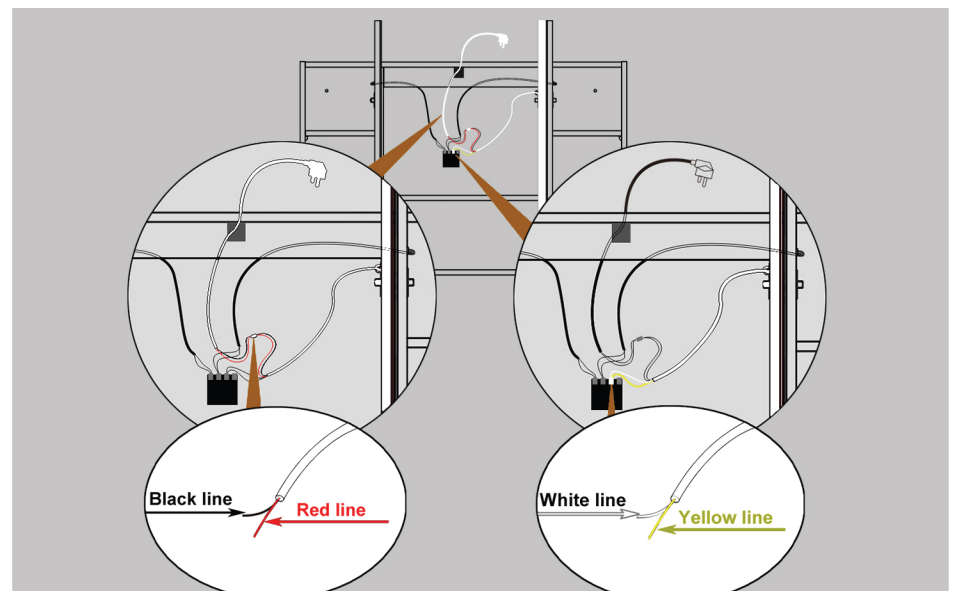
Please operate under professional guidance!



After turning off the power, remove the baffle to check the wiring.



The left and right cabinet cables are inserted directly into the relay.



Connect the red and black cables in the middle cabinet to the plug cables. The yellow and white wires connect the relays.