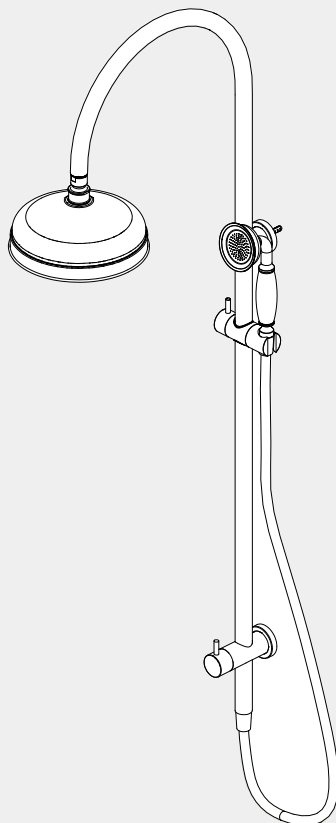


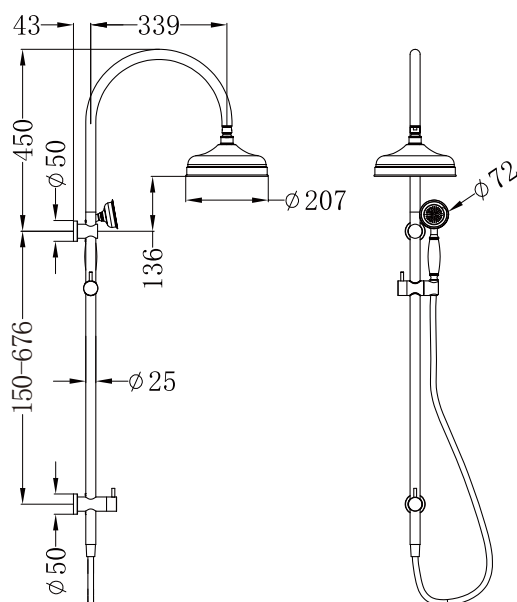
York Twin Shower

Nero



Versions:202311

Drawing



Specifications

SKU

NR692105

Watermark License

WM-060093

Temperature Rating

Min 1°C-Max 75°C

Pressure Rating

Min 150kpa - Max 500kpa

Finish



CHROME WITH WHITE POCELAIN HAND SHOWER

NR69210501CH



CHROME WITH METAL HAND SHOWER

NR69210502CH



MATTE BLACK WITH WHITE POCELAIN HAND SHOWER

NR69210501MB



MATTE BLACK WITH METAL HAND SHOWER

NR69210502MB



AGED BRASS WITH WHITE POCELAIN HAND SHOWER

NR69210501AB



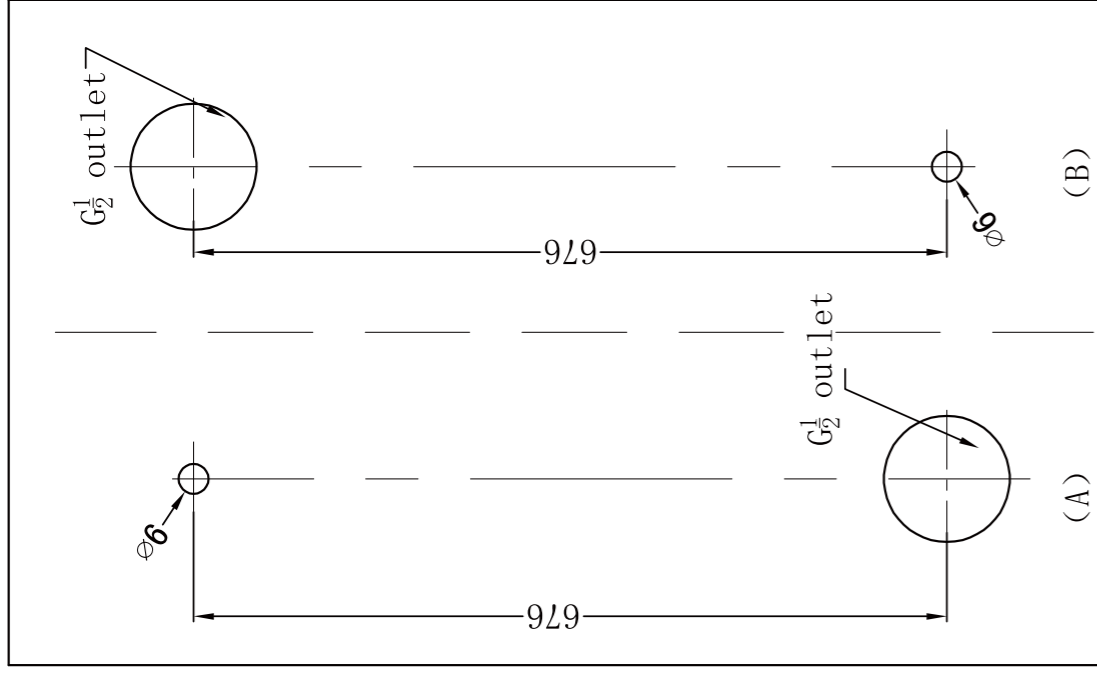
AGED BRASS WITH METAL HAND SHOWER

NR69210502AB

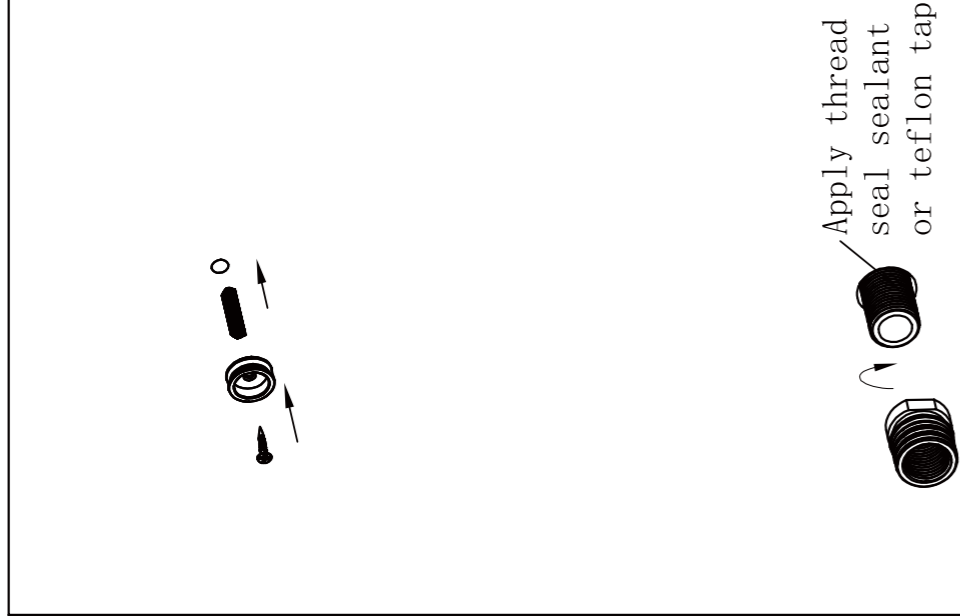
Packaging Includes

- 1x hand shower (builtin check valve)
- 1x shower head
- 1x shower arm
- 1x shower rail
- 1x 1.5m hose
- 2x back plates
- 1x installation kit

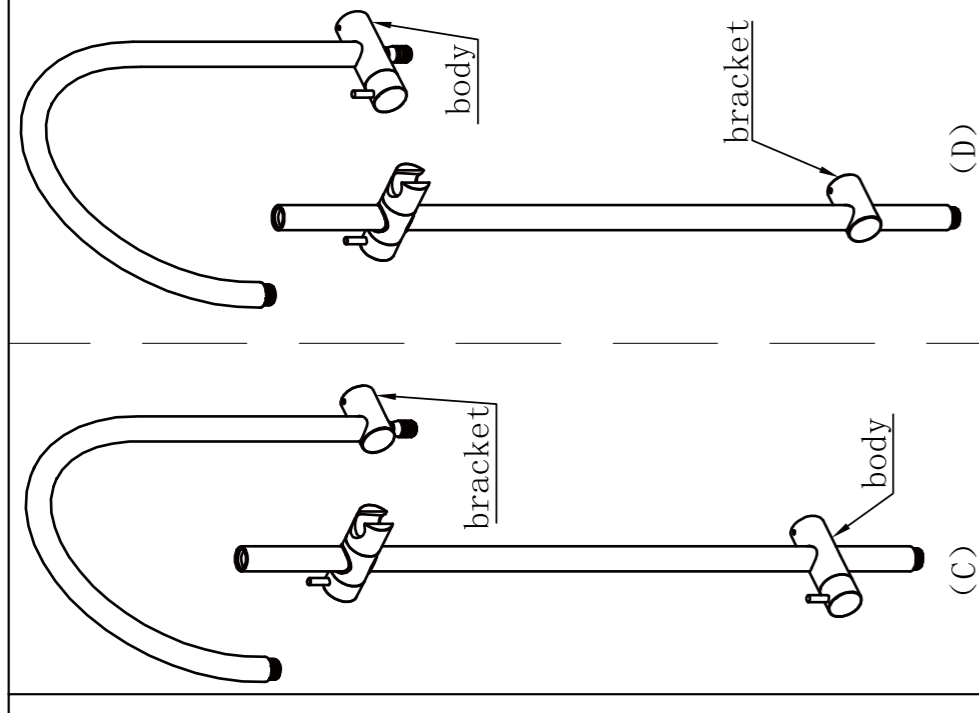
*Dimensions are nominal measurements only.



1. Drill a $\phi 6$ mm hole at the 575mm downwards or upwards outlet vertical downward or upward position, as the picture A and B.

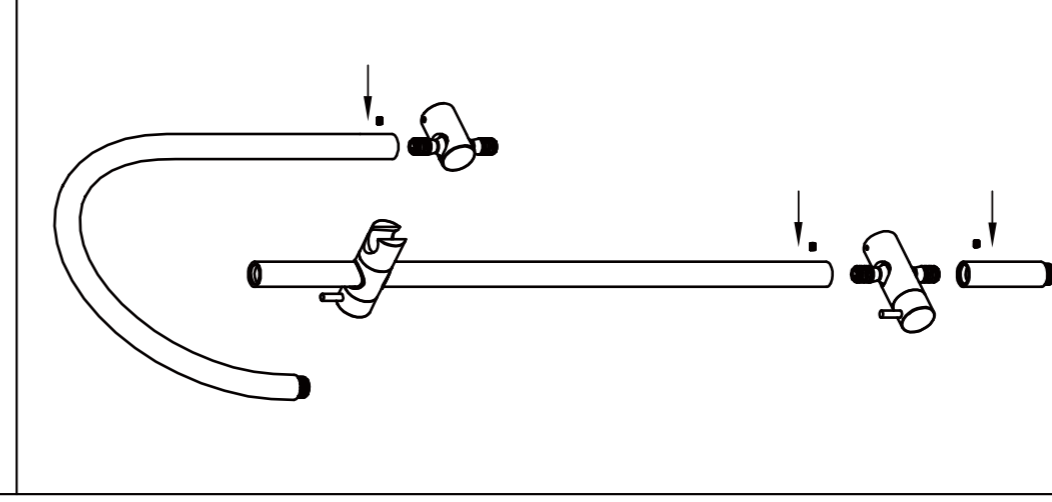


2. Screw the adapter onto the outlet. Push wall plug into drilled hole. Fit lower mounting pillar in place with screw. Tighten firmly.

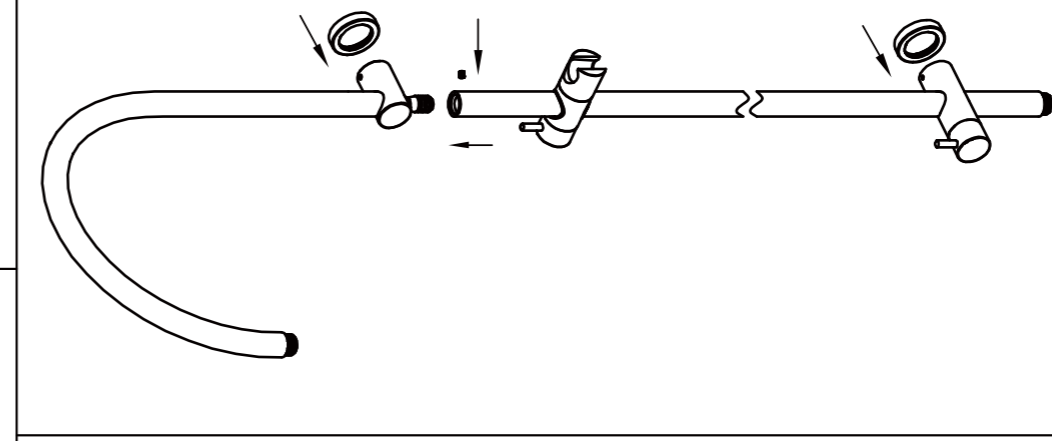


3. If you make hole as picture A, then you should install as picture C. You can ignore step 4 and install as step 5.

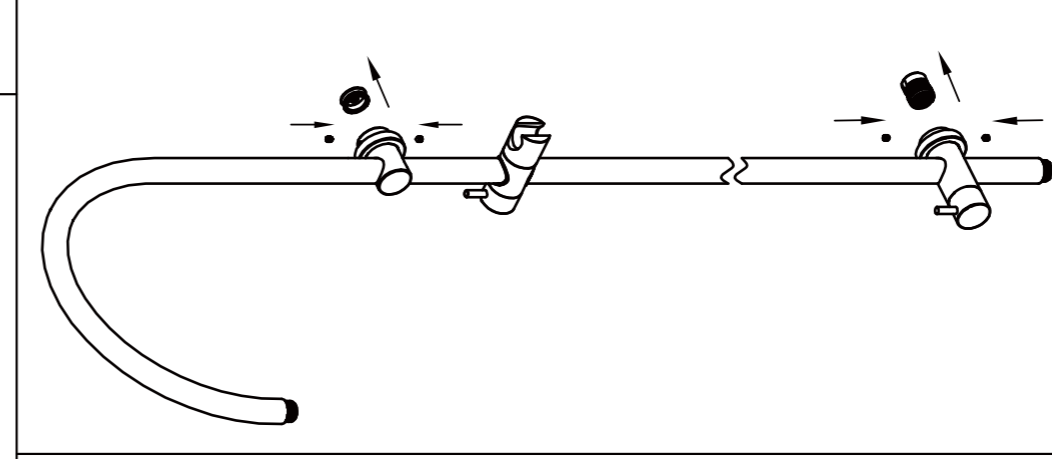
If you make hole as picture B, then you should install as picture D. Then you need to change place of body and bracket as step 4.



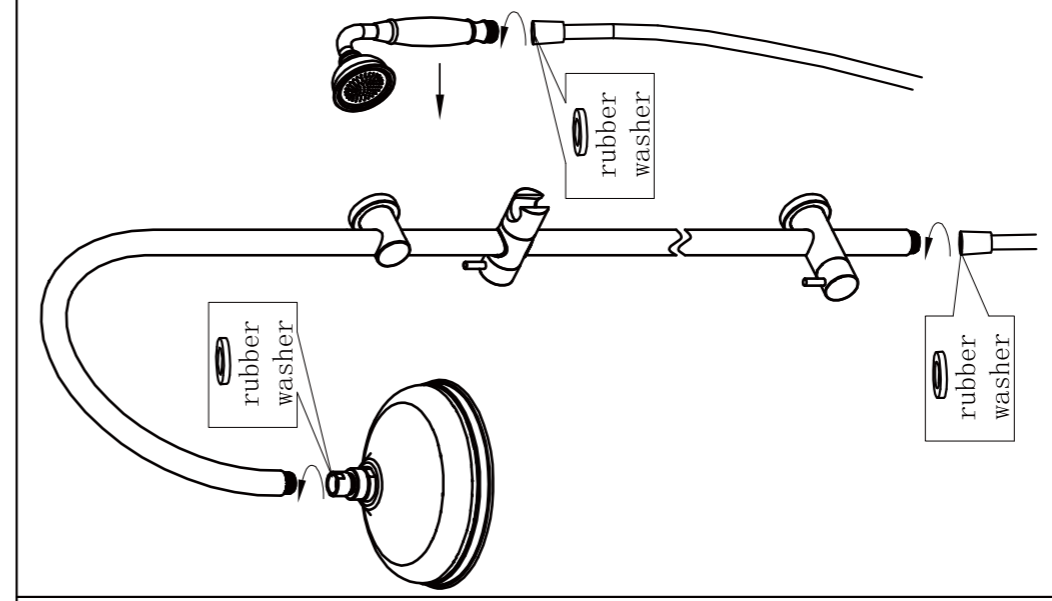
4. Unscrew 3 grub screws as picture and unplug short shower rail, long short rail and shower arm one by one. Change the place of body and bracket. Then plug in short shower rail, long shower rail and shower arm and screw the 3 grub screws.



5. Screw shower rail into shower arm component. Tighten firmly. Push 2 back plates onto shower arm component and shower arm component and body



6. Locate and put shower rail assembly onto wall rail adaptors. Tighten grub screws firmly with allen key provided.



7. Screw shower head to shower are with care. (Note the rubber washer in the shower head.) Connect shower rail and hand shower with hose. (Note rubber washer in the hose.)
TEST & CHECK FOR LEAKS.

Nero

info@nerotapware.com.au
nerotapware.com.au

11-13 Buontempo Road
Carrum Downs Vic 3201

