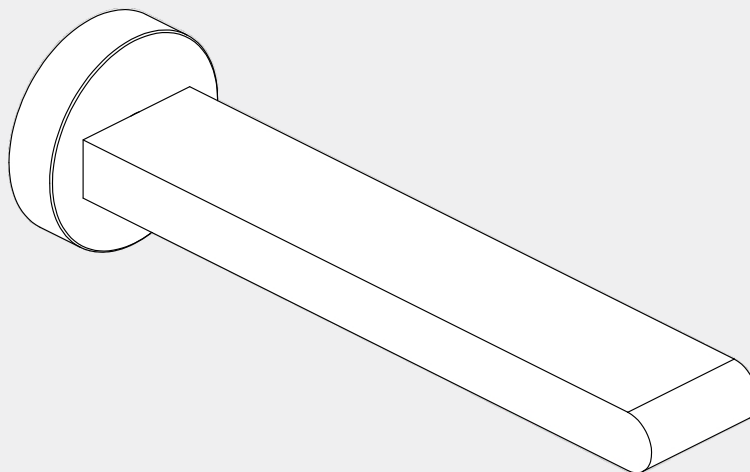


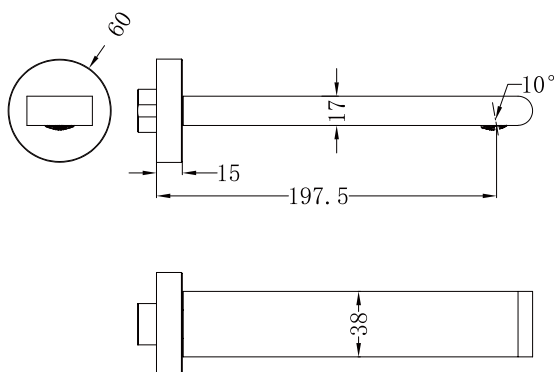
# Bianca Fixed Basin/Bath Spout Only 200mm

# Nero



Versions:202401

## Drawing



## Specifications

### Watermark License

WM-060073

### Temperature Rating

Min 1°C-Max 75°C






### Pressure Rating

Min 150kpa - Max 500kpa

## Packaging Includes

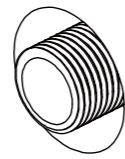
1x Spout  
1x Plate

## Finish & SKU

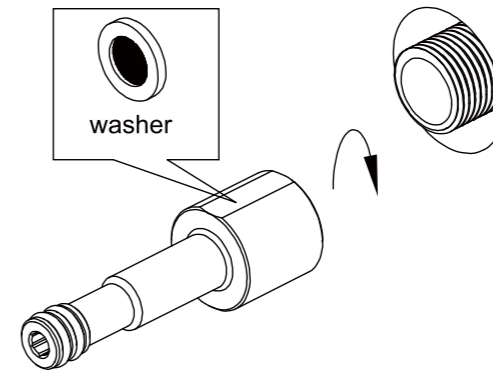
 Chrome NR321503CH	 Gun Metal NR321503GM	 Brushed Nickel NR321503BN
 Matte Black NR321503MB	 Brushed Gold NR321503BG	

\*Dimensions are nominal measurements only.

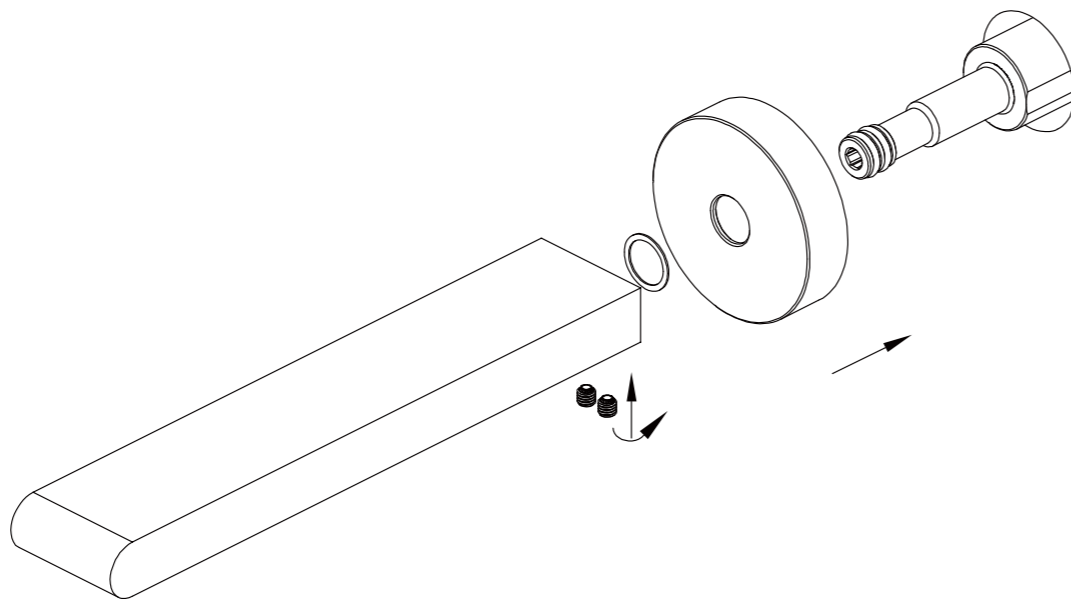
# Installation Instruction



**STEP1:**  
Cut off the G1/2 outlet thread, ensure the outlet thread needs 0-7mm protrude out of the finished wall.



**STEP 2**  
Turn the G1/2 spout adapter onto the outlet thread, and ensure to place the rubber washer inside, as shown in the figure.



**STEP3:**

- o Fit the back plate onto the spout adapter.
- o Place the ABS washer against the backplate.
- o Push in the spout onto spout adapter, tighten two grub screws firmly on the underside of the spout with the Allen key. (Don't over tighten)

**NOTE:** Please level the spout to avoid residual water.

# Nero

[info@nerotapware.com.au](mailto:info@nerotapware.com.au)  
[nerotapware.com.au](http://nerotapware.com.au)

11-13 Buontempo Road  
Carrum Downs Vic 3201

