

HAMPSHIRE

Butler Kitchen Sink

616x465x256mm

SPECIFICATIONS

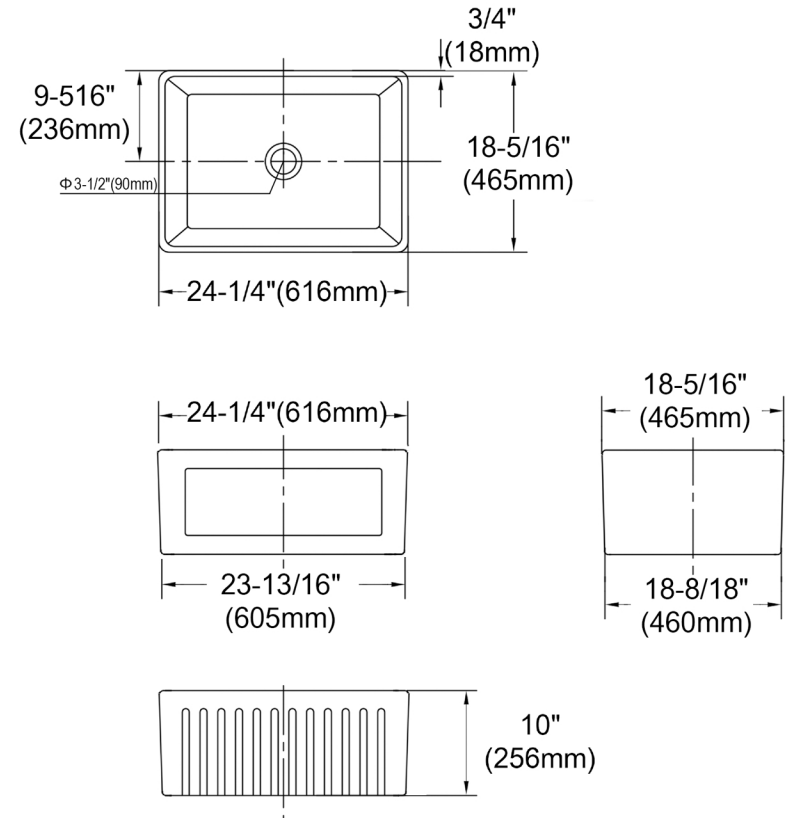
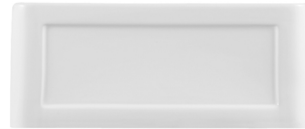
PRODUCT CODE MC60455

STYLE Reversible Basin with 2 different facings
Fluted Design Front and Pencil Line facing

DIMENSIONS 616x465x256mm

MATERIAL Ceramic

Waste sold seperately WK105



PACKAGE INFO:

Package Size mm			Gross Weight kg
700	570	370	31

Package details Approximately only



While we aim to ensure specifications are correct at the time of publication, OTTI reserves the right to make modifications without prior notice. Physical colour may vary from image shown.

All measurements are shown in millimetres. Always use physical product measurements for mark-ups and roughing-in as the technical drawing may differ from actual product received.

SPECIFICATIONS

Kitchen Sink must be installed by licensed plumber in accordance with local regulations and standards.

Note: Due to the nature of the material, dimensions should be used only as a guide, each sink can vary 1-2%. It is recommended that the sink is measured on site before cabinetry is built or stone is cut. Ensure your butler sink is provided to your cabinet maker and stone provider to allow them to cut to measure before making cabinetry or cutting stone.