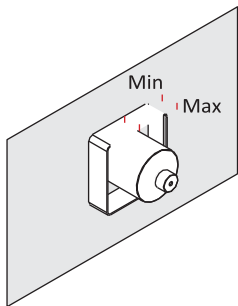


Note: This product must be installed by a Licensed Plumber. This is a general installation guide – factors may alter the installation method.

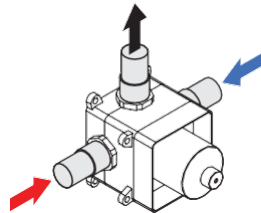
Savina Bath/Shower Mixer

Before Wall Lining

1. When preparing the wall for pipework and suitable fixing points for the mixer body, ensure that the finished wall surface is within the minimum/maximum parameters shown on the protective box.

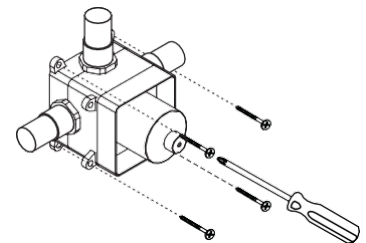


2. Connect the hot and cold water inlet pipes and the outlet pipe.



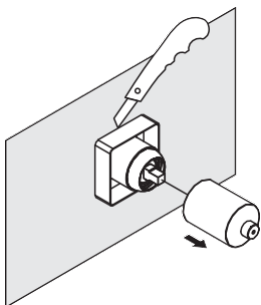
3. Fasten the mixer body to the wall, ensuring that it is level.

Pressure test the unit before wall lining to ensure there are no leaks.

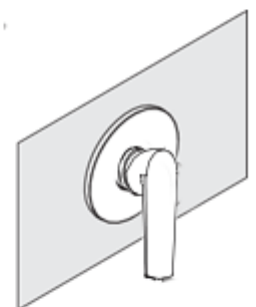
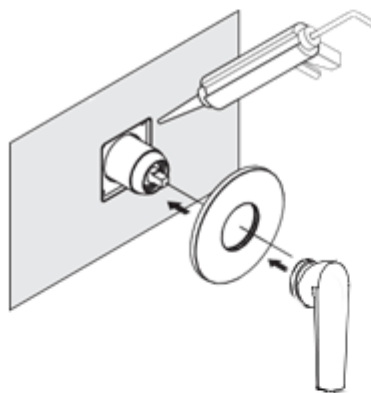


After Wall Lining

4. Cut the protective box back to the finished wall surface and remove the protective sleeve.



5. Install the flange and handle. It is recommended to apply a small bead of silicone behind the faceplate to prevent water entering the wall cavity.



Always use a soft, damp cloth with mild detergent to wipe your tap clean. Avoid using abrasive detergents, cleaning powders, scouring pads, strong disinfectants, cleaners containing hydrochloric acid or phosphoric acid as this will cause damage to the finish.