

Note: This product must be installed by a Licensed Plumber. This is a general installation guide – factors may alter the installation method.

Savina Basin Mixer

Before Installation

Fit the hot and cold Inlet Hoses (9) and the fixing rods to the mixer base. Careful not to kink the “O” Rings on the nipple thread of the flexible hoses. Ensure they have been tightly screwed in.

Flush through the pipe work to ensure removal of debris.

Turn off the water mains and close any isolating valves.

Ensure the mounting surface is clean.

Installing the tap to the mounting deck

Place the mixer over the tap hole in the sink or bench with the flexible hoses going in first.

Secure the mixer to the mounting deck. From underneath the counter, fit rubber gasket (5), metal fixing plate (6) and fixing nuts (7) in that order onto the fixing rods.

While holding the mixer in place, tighten the nuts using a wrench (do not over tighten, as this can crack the basin)

Check that the mixer unit is firmly attached.

Connect to water supply

For new installations, Australian Standards AS/NZS3500:2015 clause 3.3.3.34 requires that the max water pressure from any water outlet is to not exceed 500kpa. If pressure exceeds the above recommendation, pressure limiting valves must be installed.

The flexible inlet hoses have been colour marked red (hot) and blue (cold). Connect accordingly.

Ensure that the flexible inlet hoses do not have any sharp bends, kinks or twists as they may cause the tap performance to drop and can also damage the hoses.

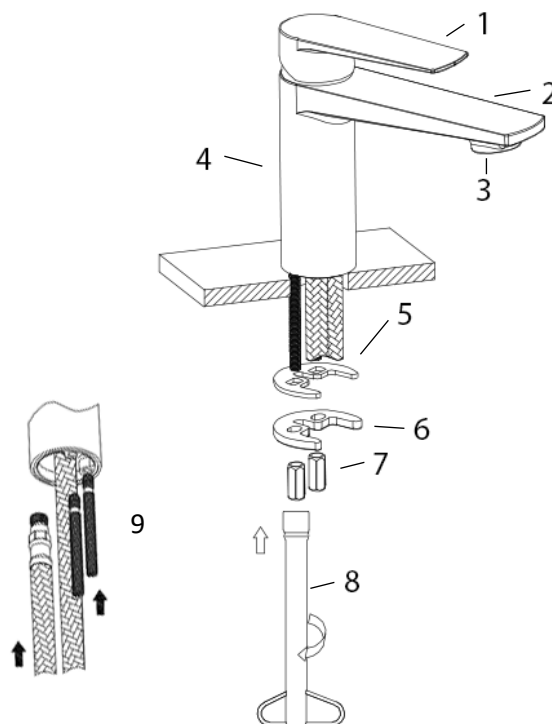
Turning on the supply

Turn on the water supply and check for leaks.

Turn on the mixer tap to purge air from the system.

Turn off the mixer, unscrew and remove aerator (3) to check for debris and clean if required.

Replace and tighten.



- 1 Handle
- 2 Spout
- 3 Aerator
- 4 Tap Body
- 5 Rubber Gasket
- 6 Metal Fixing Plate
- 7 Fixing nuts
- 8 Wrench
- 9 Inlet Hoses

Inlet Connections: ½" BSP

Operating Pressure: Min. 150 – max. 1000kPa

For optimum performance, the hot and cold water pressure should be equal



Always use a soft, damp cloth with mild detergent to wipe your tap clean. Avoid using abrasive detergents, cleaning powders, scouring pads, strong disinfectants, cleaners containing hydrochloric acid or phosphoric acid as this will cause damage to the finish.