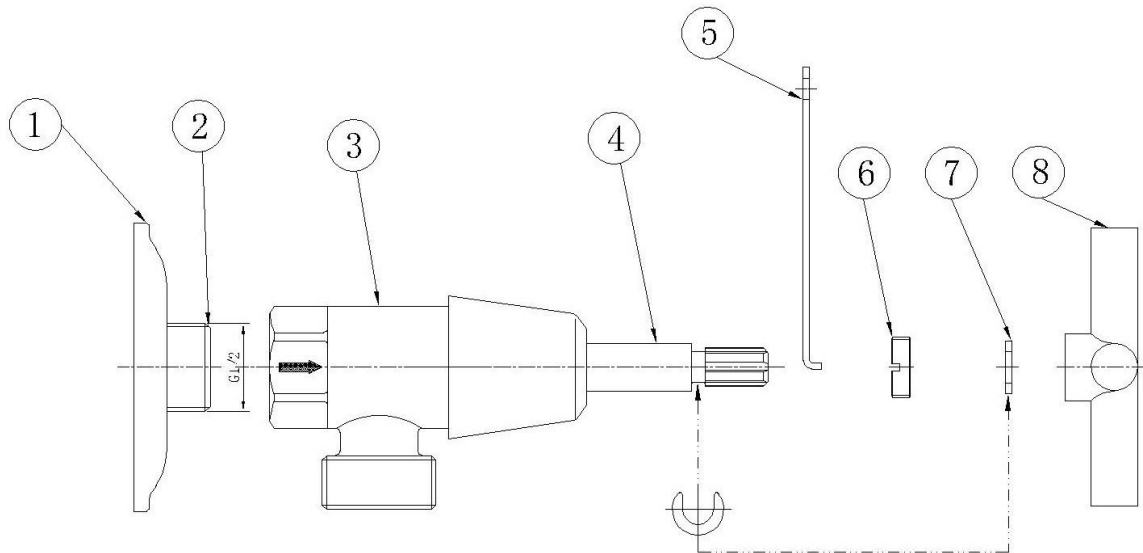


Note: This product must be installed by a Licensed Plumber. This is a general installation guide – factors may alter the installation method.

Elite X Washing Machine Set



Before Installation

Flush through the pipe work to ensure removal of debris.

Turn off the water mains and close any isolating valves.

Ensure the mounting surface is clean.

Installation

Check that the threaded nipple (2) are in good condition and are free of any foreign objects.

Apply thread tape to the threads. Place the cover plate (1) over the threaded nipples.

Screw washing machine assembly (3) into nipples (2) by handle, and tighten using a suitable tube spanner.

Ensure the outlet connection is facing the desired position for your washing machine installation.

Put the retaining lock nut (6), C-clip (7) and handle (8) onto the spindle assembly (4) into position as shown.

Fasten retaining nut (6) with spanner (5) provided.

Turning on the supply

Turn on the water supply and check for leaks.

- 1 Handle
- 2 C-Clip
- 3 Retaining Nut
- 4 Flange
- 5 Screw Spindle Assembly
- 6 Washer
- 7 Jumper Valve
- 8 Recess
- 9 Spanner

Note: The handle with 'Hot' marking must be on the left-hand side as viewed from the user's position.



Always use a soft, damp cloth with mild detergent to wipe your tap clean. Avoid using abrasive detergents, cleaning powders, scouring pads, strong disinfectants, cleaners containing hydrochloric acid or phosphoric acid as this will cause damage to the finish.