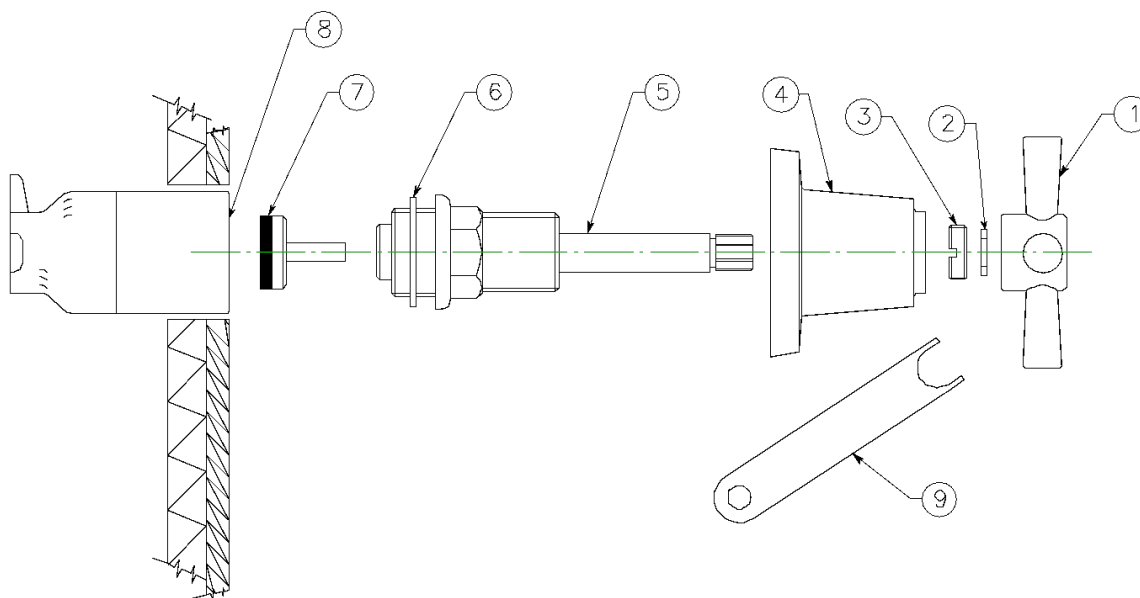


Note: This product must be installed by a Licensed Plumber. This is a general installation guide – factors may alter the installation method.

## Elite X Wall Top Assembly



### Before Installation

Flush through the pipe work to ensure removal of debris.

Turn off the water mains and close any isolating valves.

Ensure the mounting surface is clean.

### Installation

Ensure washer (6) and jumper valve (7) are in the correct position, as shown above.

Screw spindle assembly (5) into recess (8) by handle (1) and tighten using a suitable tube spanner.

Place flange (4) over spindle assembly (5) and tighten firmly by hand against the wall.

Put the retaining nut (3) onto the spindle assembly (5) and whilst pushing the c-clip (2) onto the groove on the top spindle (5), fit tap handle (1) to spline of tap spindle (5), position to suit and push on fully.

Fasten retaining nut (3) with spanner (9) provided.

### Turning on the supply

Turn on the water supply and check for leaks.

- 1 Handle
- 2 C-Clip
- 3 Retaining Nut
- 4 Flange
- 5 Screw Spindle Assembly
- 6 Washer
- 7 Jumper Valve
- 8 Recess
- 9 Spanner

Note: The handle with 'Hot' marking must be on the left-hand side as viewed from the user's position.



Always use a soft, damp cloth with mild detergent to wipe your tap clean. Avoid using abrasive detergents, cleaning powders, scouring pads, strong disinfectants, cleaners containing hydrochloric acid or phosphoric acid as this will cause damage to the finish.