

Note: This product must be installed by a Licensed Plumber. This is a general installation guide – factors may alter the installation method.

## Elite X Basin Mixer

### Before Installation

Flush through the pipe work to ensure removal of debris.

Turn off the water mains and close any isolating valves.

Ensure the mounting surface is clean.

### Installing the tap to the mounting deck

Measure centre distance between tap body holes in basin top, cut Tee piece (13) to required length.

Install outlet (16) with sealing washer (15), position as required, fit back nut (14) and tighten securely.

Fit Compression Nuts (12) and nylon olives (11) to each end of tee piece (13), connect to tap bodies (10) and tighten nuts lightly.

Fit one locknut (8b) and one plastic washer (9b) to each tap body (10).

Install assembly into basin top, ensure "O" Rings on tee piece are not damaged as they enter the outlet tail. Adjust locknuts (8b) so the tap bodies (10) protrude 5mm above the basin top surface.

Fit remaining plastic washer (9a) and locknut (8a) to each tap body (10), tighten nuts (8a) securely.

Check tap head assembly (5) has been tightened into tap bodies (10).

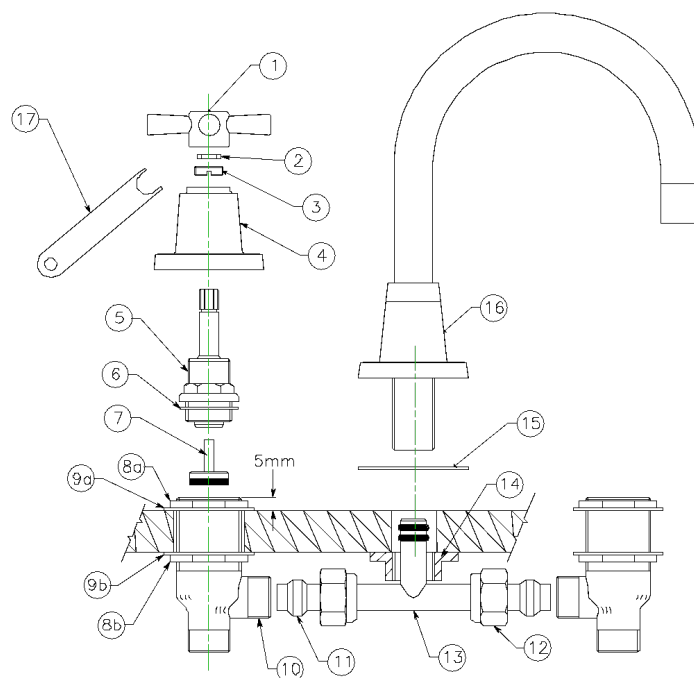
Fit flange. Tighten flange (4) by hand.

Put the remaining nut (3) onto the spindle assembly (5) and whilst pushing the C-Clip (2) onto the groove on the top spindle (5), fit tap handle (1) to spline of tap spindle (5) position to suit and push on fully. Fasten retaining nut (3) with spanner (17) provided.

Ensure all nuts have been tightened.

### Turning on the supply

Turn on the water supply and check for leaks.



- 1 Handle
- 2 C-Clip
- 3 Retaining Nut
- 4 Flange
- 5 Tap Head Assembly
- 6 Washer
- 7 Jumper Valve
- 8 Locknut/Tightening Nuts
- 9 Plastic Washer
- 10 Tap Body
- 11 Nylon Olives
- 12 Compression Nuts
- 13 Tee Piece
- 14 Back Nut
- 15 Sealing Washer
- 16 Outlet
- 17 Spanner

Note: The handle with 'Hot' marking must be on the left-hand side as viewed from the user's position.



Always use a soft, damp cloth with mild detergent to wipe your tap clean. Avoid using abrasive detergents, cleaning powders, scouring pads, strong disinfectants, cleaners containing hydrochloric acid or phosphoric acid as this will cause damage to the finish.