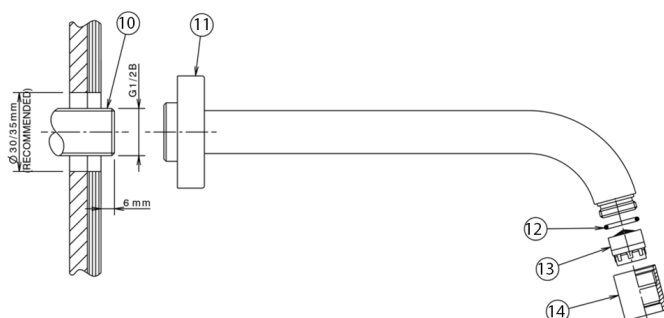
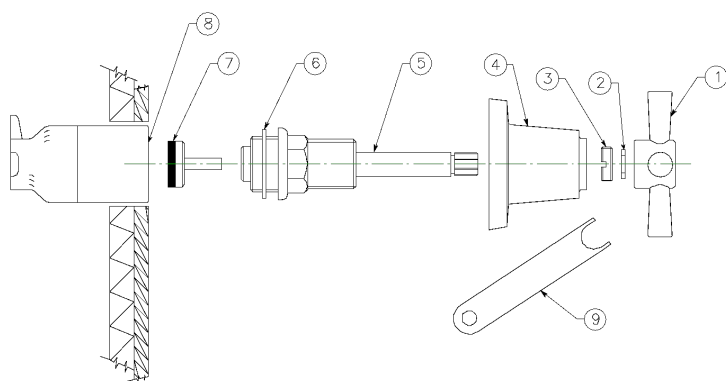


Note: This product must be installed by a Licensed Plumber. This is a general installation guide – factors may alter the installation method.

Elite X Basin/Bath Set



Before Installation

Flush through the pipe work to ensure removal of debris.

Turn off the water mains and close any isolating valves.

Ensure the mounting surface is clean.

Installation Wall Tap Assemblies

Ensure washer (6) and jumper valve (7) are in the correct position, as shown above.

Screw spindle assembly (5) into recess (8) by handle (1) and tighten using a suitable tube spanner.

Place flange (4) over spindle assembly (5) and tighten firmly by hand against the wall.

Put the retaining nut (3) onto the spindle assembly (5) and whilst pushing the c-clip (2) onto the groove on the top spindle (5), fit tap handle (1) to spline of tap spindle (5), position to suit and push on fully.

Fasten retaining nut (3) with spanner (9) provided.

Installation Wall Spout

Check the threaded nipple (10) is the correct length. Cut to length if required ensuring the face is square. Apply thread tape to the thread.

Screw the wall outlet (11) onto the threaded nipple (10) and position as required. Do not over-tighten.

Replacing Aerator Insert

Carefully remove aerator housing (14) from wall outlet (11), taking care not to damage the decorative finish.

Remove seal (12) and aerator insert (13) from aerator housing (14). Check that aerator housing is clean.

Fit new aerator insert (13) into aerator housing (14) followed by seal (12) then screw assembly onto wall outlet (11) and tighten securely.

Turning on the supply

Turn on the water supply and check for leaks.

- 1 Handle
- 2 C-Clip
- 3 Retaining Nut
- 4 Flange
- 5 Screw Spindle Assembly
- 6 Washer
- 7 Jumper Valve
- 8 Recess
- 9 Spanner
- 10 Threaded Nipple
- 11 Wall Outlet
- 12 Seal
- 13 Aerator Insert
- 14 Aerator Housing

Note: The handle with 'Hot' marking must be on the left-hand side as viewed from the user's position.



Always use a soft, damp cloth with mild detergent to wipe your tap clean. Avoid using abrasive detergents, cleaning powders, scouring pads, strong disinfectants, cleaners containing hydrochloric acid or phosphoric acid as this will cause damage to the finish.