

Note: This product must be installed by a Licensed Plumber. This is a general installation guide – factors may alter the installation method.

Elite Sink Mixer

Before Installation

Flush through the pipe work to ensure removal of debris.

Turn off the water mains and close any isolating valves.

Ensure the mounting surface is clean.

Installing the tap

Fit 'O' Ring (9) into groove in underside of mixer base (8). Screw the stud (10) into underside of mixer (8).

Apply suitable lubricant to 'O' Rings (11). Pass flexible tail (15) with red indication up through deck hole and install into hole for hot on underside of mixer body (8). Pass remaining flexible tail with blue indication up through deck hole and install into the hole for cold. Tighten both tails firmly by hand.

Place mixer over deck hole, ensuring hot water tail (15) is to the left and stud (10) is to the back. Fit gasket (12) and fixing plate (13) over stud (10) and screw on fixing nut (14).

Align mixer body so that the handle (1) rotates and equals angles from left to right then tighten fixing nut (14).

Connect the flexible tails (15) to the hot and cold isolating stop taps, taking care that flexible tails are not kinked, twisted or in tension as they are tightened.

Replacing Cartridge

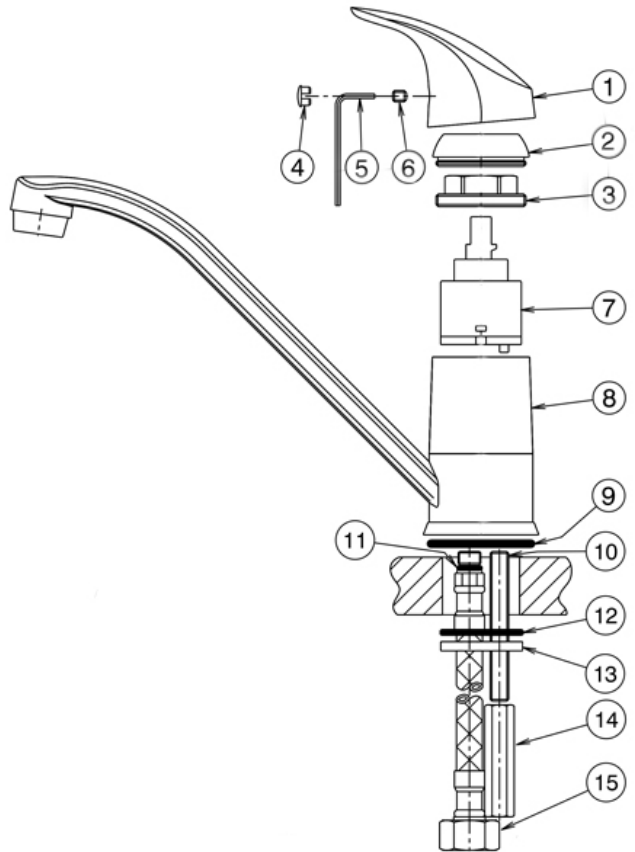
Turn off hot and cold water supplies at isolating stop taps.

Carefully remove plug (4), loosen screw (6), and remove handle (1), unscrew cap (2) – be careful not to damage the tap finish. Unscrew retaining nut (3) and remove the old cartridge (7).

Ensure inside the mixer body (8) is clean. Check that the seal is in position at the base of the new cartridge (7), then fit the new cartridge into mixer body, taking care that the two lugs on base of cartridge fit into holes in mixer body. Screw on nut (3). Important: Nut (3) should be tightened to a torque of 13Nm. Replace cap (2) tightening by hand.

Fit handle (1), taking care that it is pushed fully down, tighten screw (6) using the 2.5mm allen key (5) and fit plug (4).

Turn on isolating stop taps and check operation.



- | | |
|----|----------------|
| 1 | Handle |
| 2 | Cap |
| 3 | Nut |
| 4 | Indicator Plug |
| 5 | Allen Key |
| 6 | Screw |
| 7 | Cartridge |
| 8 | Mixer Body |
| 9 | 'O' Ring |
| 10 | Stud |
| 11 | 'O' Ring |
| 12 | Gasket |
| 13 | Fixing Plate |
| 14 | Fixing nut |
| 15 | Flexible Tails |

Operating Pressure: Min. 150 – max. 1000kPa

For optimum performance, the hot and cold water pressure should be equal

Maximum hot water temperature 80°C



Always use a soft, damp cloth with mild detergent to wipe your tap clean. Avoid using abrasive detergents, cleaning powders, scouring pads, strong disinfectants, cleaners containing hydrochloric acid or phosphoric acid as this will cause damage to the finish.