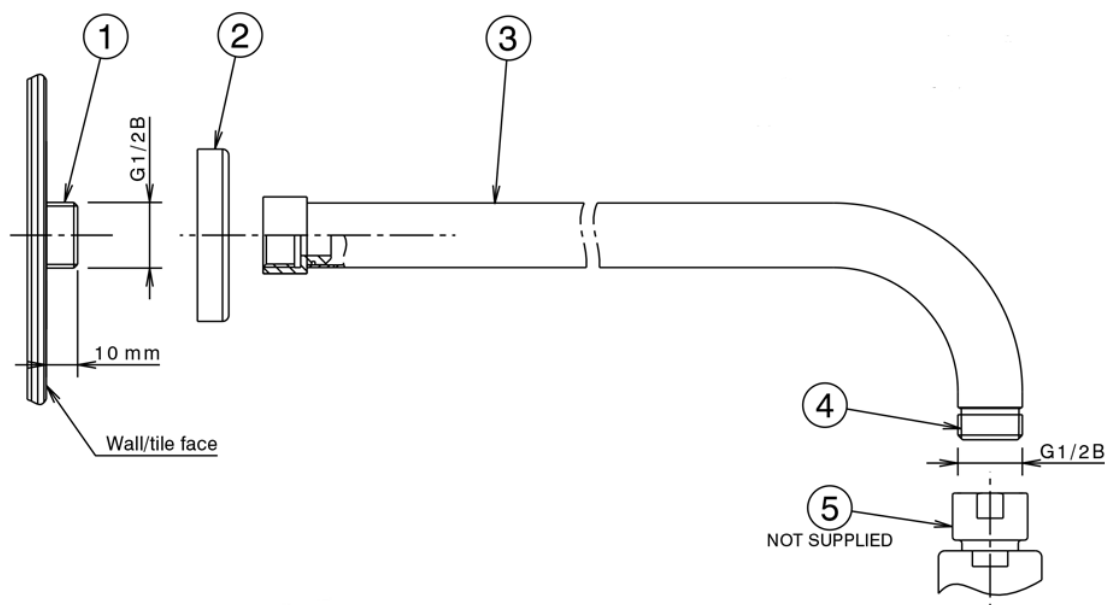


Note: This product must be installed by a Licensed Plumber. This is a general installation guide – factors may alter the installation method.

Ciara Wall Shower Arm



Before Installation

Flush through the pipe work to ensure removal of debris.

Turn off the water mains and close any isolating valves.

Ensure the mounting surface is clean.

Installation

Check that the threaded nipple (1) is the correct length. Cut to length if required, ensuring end face is square. Apply thread tape to the thread.

Slide the cover plate (2) onto the larger diameter of the shower arm (3) then screw the shower arm (3) onto the threaded nipple (1) and position as required. Do not over-tighten.

Push the cover plate (2) against the wall face.

When installing the shower head (5) on to the connection thread (4) of the shower arm (3), refer to the individual instructions supplied with the shower head.

Turning on the supply

Turn on the water supply and check for leaks.

- 1 Threaded Nipple
- 2 Cover Plate
- 3 Shower Arm
- 4 Connection Thread
- 5 Shower Head

Hot and cold water inlet pressures should be equal.

Inlet pressure range: 150 – 1000 kPa

Maximum hot water temperature = 80°C



Always use a soft, damp cloth with mild detergent to wipe your shower clean. Avoid using abrasive detergents, cleaning powders, scouring pads, strong disinfectants, cleaners containing hydrochloric acid or phosphoric acid as this will cause damage to the finish.