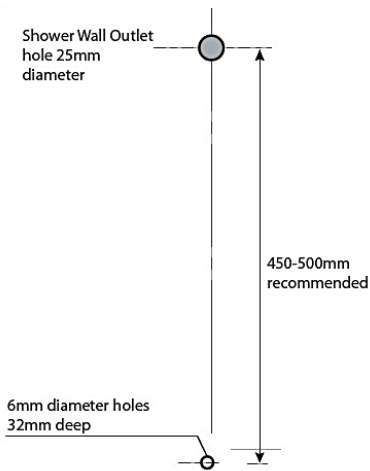


Note: This product must be installed by a Licensed Plumber. This is a general installation guide – factors may alter the installation method.

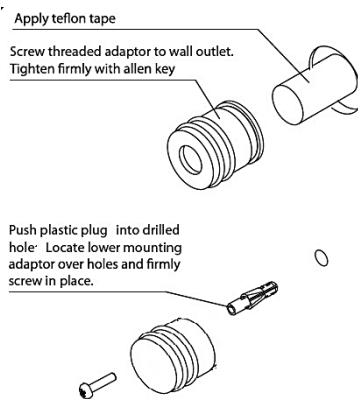
Ciara Shower on Rail

Installation

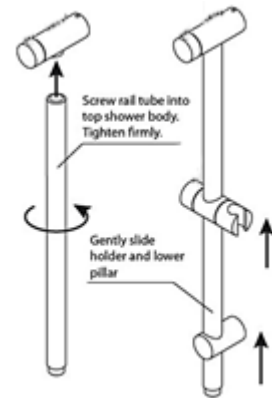
1.



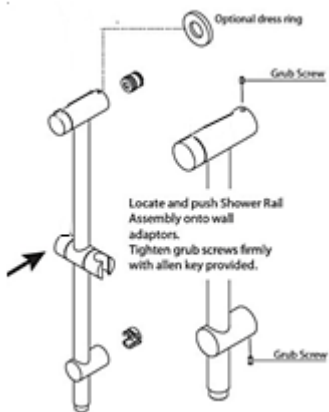
2.



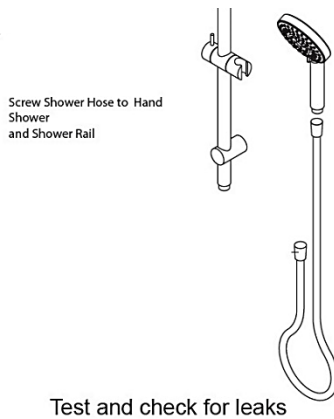
3.



4.



5.



Always use a soft, damp cloth with mild detergent to wipe your shower clean. Avoid using abrasive detergents, cleaning powders, scouring pads, strong disinfectants, cleaners containing hydrochloric acid or phosphoric acid as this will cause damage to the finish.