

Note: This product must be installed by a Licensed Plumber. This is a general installation guide – factors may alter the installation method.

# Ciara Shower Head

## Before Installation

Flush through the pipe work to ensure removal of debris.

Turn off the water mains and close any isolating valves.

Ensure the mounting surface is clean.

## Installation

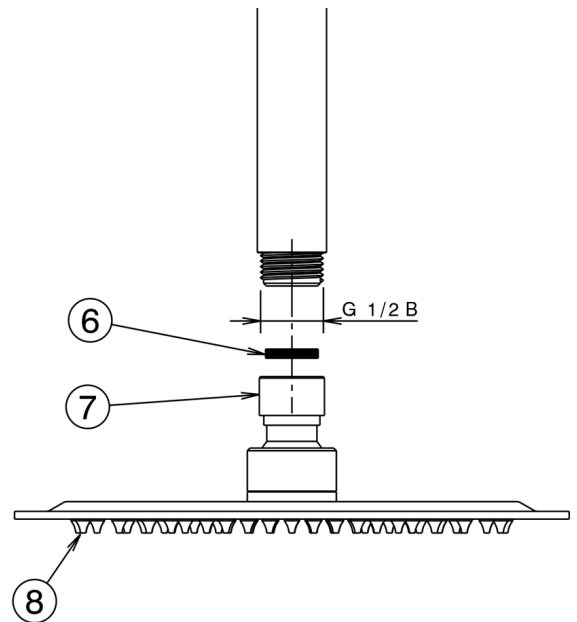
Refer to the wall or ceiling shower arm installation guide separately for the shower arm installation.

Ensure strainer washer (6) is fitted to the inlet socket of the shower head (7), then screw the shower head (7) onto the outlet thread of the shower arm.

Tighten using a suitable spanner, taking care not to damage the decorative finish.

## Turning on the supply

Turn on the water supply and check for leaks.



- 6 Strainer Washer
- 7 Shower Head
- 8 Nozzles

Hot and cold water inlet pressures should be equal.

Inlet pressure range: 150 – 1000 kPa

Maximum hot water temperature = 80°C



Always use a soft, damp cloth with mild detergent to wipe your shower clean. Avoid using abrasive detergents, cleaning powders, scouring pads, strong disinfectants, cleaners containing hydrochloric acid or phosphoric acid as this will cause damage to the finish.