

Note: This product must be installed by a Licensed Plumber. This is a general installation guide – factors may alter the installation method.

## Ciara Basin Waste

### Installation

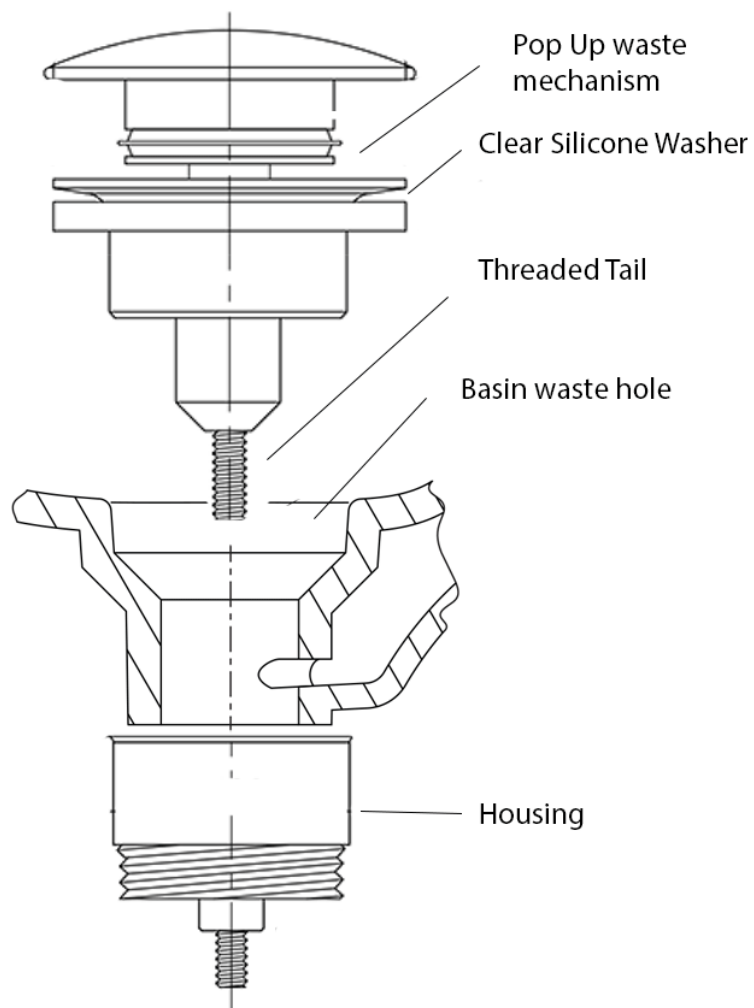
Disassemble Pop up waste by unscrewing the Housing from the threaded tail.

Waste, pop-up assembly are fitted on the upper side of the basin.

Housing and clear silicone washer fitted underneath the basin.

Re-tighten the assembly and attach to trap.

Check for leaks.



Always use a soft, damp cloth with mild detergent to wipe your waste clean. Avoid using abrasive detergents, cleaning powders, scouring pads, strong disinfectants, cleaners containing hydrochloric acid or phosphoric acid as this will cause damage to the finish.