

Note: This product must be installed by a Licensed Plumber. This is a general installation guide – factors may alter the installation method.

Ciara Bottle Trap

Installation

Ensure all 'O' Rings are lubricated with silicone based lubricant.

Fit bottle trap to appropriate 40mm waste.

Adjust bottle trap height to in-wall outlet pipe and ensure there is an adequate fall in the outlet pipe when installed.

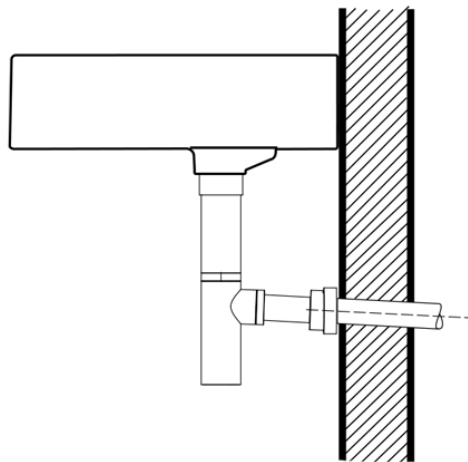
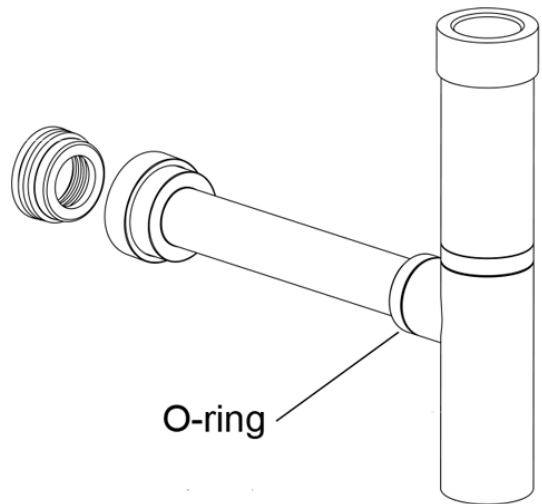
Measure and trim outlet pipe, ensuring there is adequate allowance for pipe and rubber seal to fit into DWV female socket.

Fit rubber seal over outlet pipe and fit into 40mm DWV female socket.

Fit dress plate to wall.

Firmly tighten all joints. Do not over-tighten.

Test for leaks.



Ensure adequate fall on outlet in accordance with relevant standards.

Waste pipe length is adjustable and can be cut to size.



Always use a soft, damp cloth with mild detergent to wipe your bottle trap clean. Avoid using abrasive detergents, cleaning powders, scouring pads, strong disinfectants, cleaners containing hydrochloric acid or phosphoric acid as this will cause damage to the finish.