

Note: This product must be installed by a Licensed Plumber. This is a general installation guide – factors may alter the installation method.

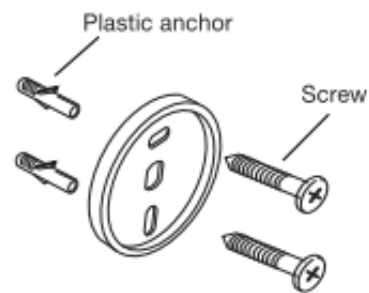
## Ciara Accessories – Single Mount

### Installation

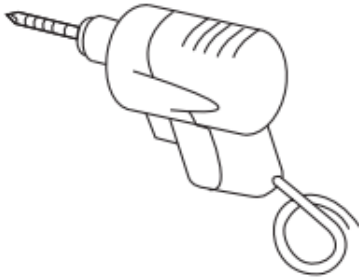
1. Using the holder (in the position the figure shows), mark where you will drill the first hole to mount the accessory to the wall.



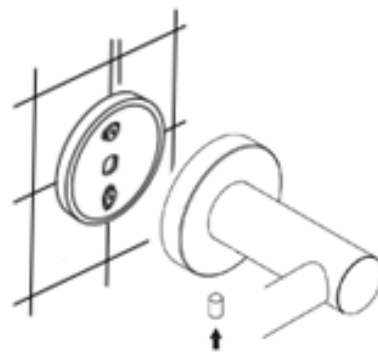
2. Make the necessary hole for a No.8 plastic anchor and then put in the plastic anchor.



3. Mount the holder to the wall using the screws and the plastic anchors provided. Repeat the steps in 1 and 2 to complete the fixing.



4. Position the accessory on the holder and hold it against the wall while you tighten the screws with an allen key.



Always use a soft, damp cloth with mild detergent to wipe your accessory clean. Avoid using abrasive detergents, cleaning powders, scouring pads, strong disinfectants, cleaners containing hydrochloric acid or phosphoric acid as this will cause damage to the finish.