

Note: This product must be installed by a Licensed Plumber in accordance with AS/NZS 3500. This is a general installation guide – factors may alter the installation method.

Cali Rimless Toilet Suite

Pre-Installation Checks

Check that the toilet is compatible with your current setout requirements. This toilet has a setout distance of 90 – 180mm for S Trap and 180mm for P Trap.

Before installing the toilet, please make sure you have received all items.

Check that the floor and wall are level and perpendicular.

Bottom Entry Installation

Install the brass spigots and rubber washers into the pan.

Feed a flexible connecting hose through the bottom entry hole and through the top of the pan. It's recommended that it is taped temporarily to hold the hose into position (as shown).

Measure and install the floor fixing kit. Do not install the external locking screws at this stage.

Install the vario bend onto the pan outlet spigot. If trimming is required, work out the measurement and mark the cutting line.

Check the measurements and then cut the vario bend to the correct length.

Place the rubber seal and cover over the front of the vario bend and install, ensuring that the sewer connection is joined correctly and a good seal has been achieved.

Ensure the foam/donut seal is placed over the outlet flush pipe on the base of the cistern.

Connect the water supply hose to the base of the cistern's inlet valve.

Connect the cistern and pan together using the fixing bolts provided (the outlet flush valve can be removed to assist with bolt assembly by turning it anti-clockwise, then lifting it out).

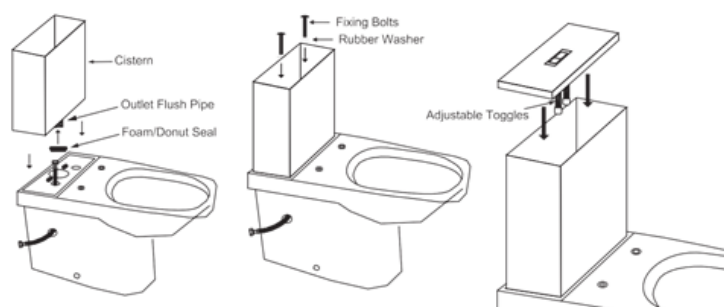
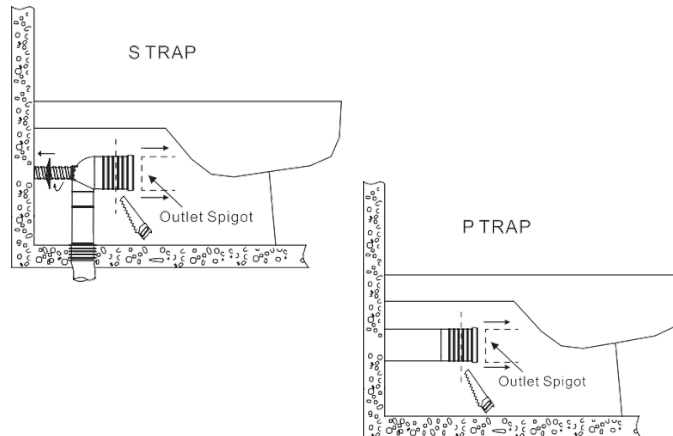
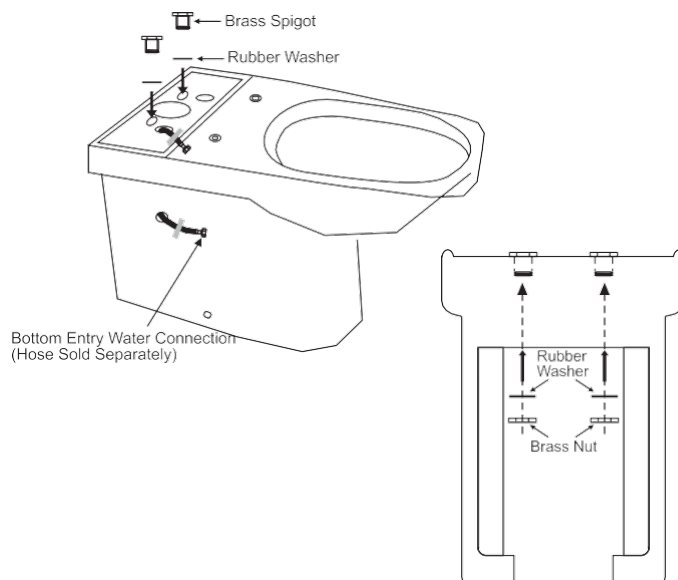
Install the flush buttons onto the cistern lid.

Before fixing the toilet to the floor, connect the water supply and ensure that the toilet is working correctly by doing several flush tests. Check for leaks.

Once confident that there are no leaks, and the toilet is working correctly, install the pan into the floor fixing kit provided and apply a bead of wet area silicone sealant around the base of the pan and allow recommended drying time before use.

Install the white cap over the unused side entry hole.

Install the seat after the silicone has dried.



For Warranty Information, please refer to the website indigobathrooms.com



Always use a soft, damp cloth with mild detergent to wipe your toilet clean. Avoid using abrasive detergents, cleaning powders, scouring pads, strong disinfectants, cleaners containing hydrochloric acid or phosphoric acid as you can cause damage to the finish.