

Note: This product must be installed by a Licensed Plumber. This is a general installation guide – factors may alter the installation method.

Alisa Tower Basin Mixer

Before Installation

Fit the hot and cold Inlet Hoses (11) to the mixer base. Careful not to kink the “O” Rings on the nipple thread of the flexible hoses. Ensure they have been tightly screwed in.

Ensure rubber “O” Ring (6) is firmly in its place at mixer body base.

Flush through the pipe work to ensure removal of debris.

Turn off the water mains and close any isolating valves.

Ensure the mounting surface is clean.

Installing the tap to the mounting deck

Place the mixer over the tap hole in the sink or bench with the flexible hoses going in first and the mixer base rubber “O” Ring sitting firmly on the mixer base.

Secure the mixer to the mounting deck. From underneath the counter, fit rubber washer (7), metal washer (8) and mounting nut (9) in that order onto the thread tail (5).

Turn the mounting nut until tight by hand before further tightening using a long neck cross bit screw driver to turn mounting nut screws (10).

Check that the mixer unit is firmly attached.

Connect to water supply

For new installations, Australian Standards AS/NZS3500:2015 clause 3.3.3.34 requires that the max water pressure from any water outlet is to not exceed 500kpa. If pressure exceeds the above recommendation, pressure limiting valves must be installed.

The flexible inlet hoses have been colour marked red (hot) and blue (cold). Connect accordingly.

Ensure that the flexible inlet hoses do not have any sharp bends, kinks or twists as they may cause the tap performance to drop and can also damage the hoses.

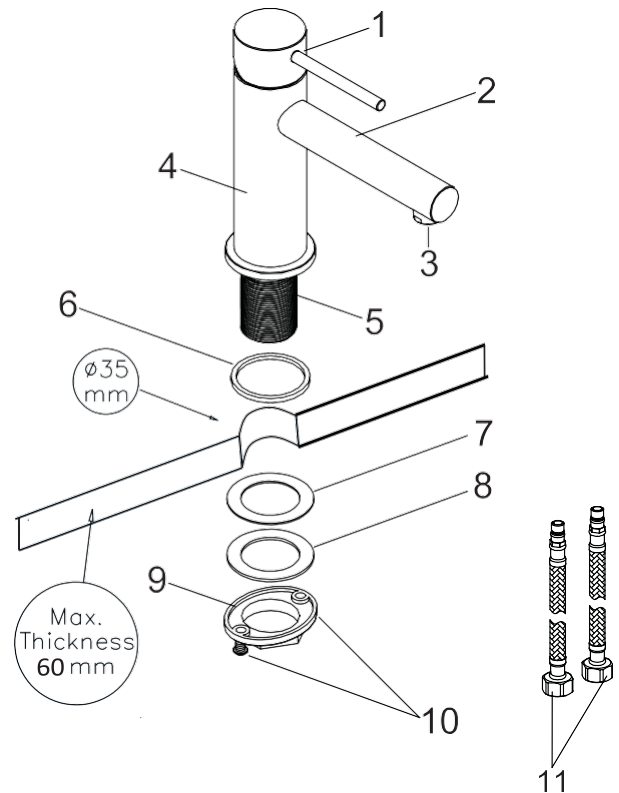
Turning on the supply

Turn on the water supply and check for leaks.

Turn on the mixer tap to purge air from the system.

Turn off the mixer, unscrew and remove aerator (3) to check for debris and clean if required.

Replace and tighten.



- 1 Handle
- 2 Spout
- 3 Aerator
- 4 Tap Body
- 5 Threaded Tail
- 6 Rubber O Ring
- 7 Rubber Washer
- 8 Metal Washer
- 9 Mounting Nut
- 10 Mounting Nut Screws
- 11 Inlet Hoses

Inlet Connections: ½" BSP
 Operating Pressure: Min. 150 – max. 1000kPa
 For optimum performance, the hot and cold water pressure should be equal



Always use a soft, damp cloth with mild detergent to wipe your tap clean. Avoid using abrasive detergents, cleaning powders, scouring pads, strong disinfectants, cleaners containing hydrochloric acid or phosphoric acid as this will cause damage to the finish.