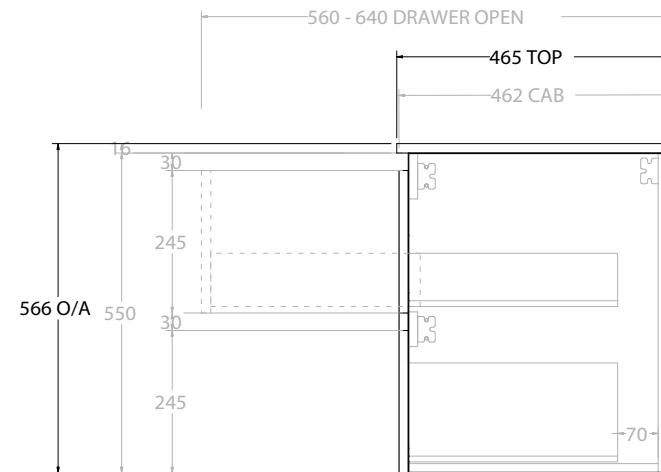
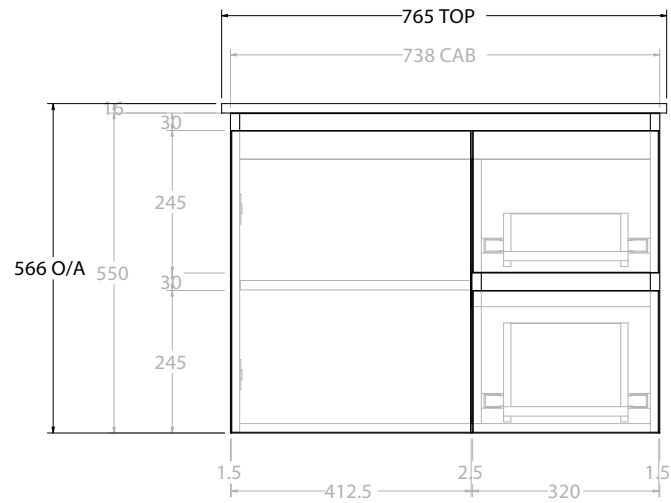
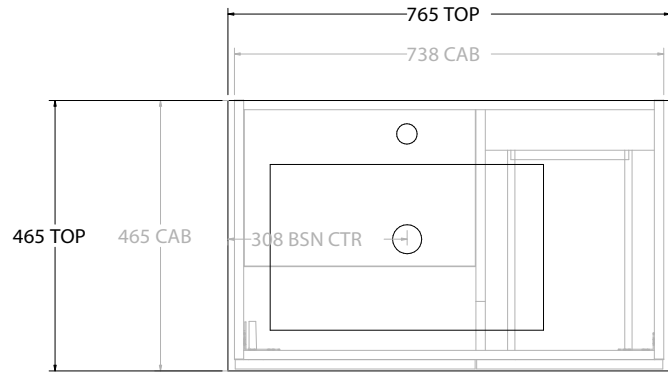


Adp

PRODUCT:	GLACIER DOOR & DRAWER TWIN 750 WALL HUNG CENTRE BASIN	
CODE:	LITE: GLLFCW0750WHCCE	PRO: GLPFCW0750WHCCE
MOUNTING:	WALL HUNG	
SIZE:	765W X 465D X 566H	
CONFIGURATION:	DOOR & DRAWER	
VERSION:	01	DATE: 08/16/22

TOP:	CERAMIC GLACIER 750
BASIN POSITION:	CENTRE BASIN

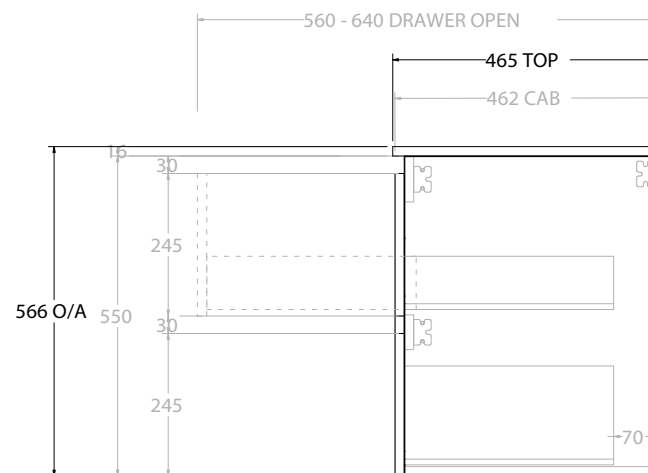
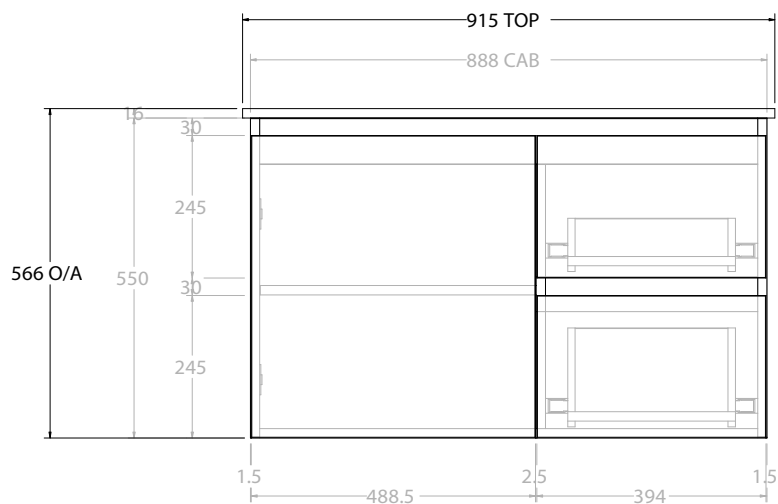
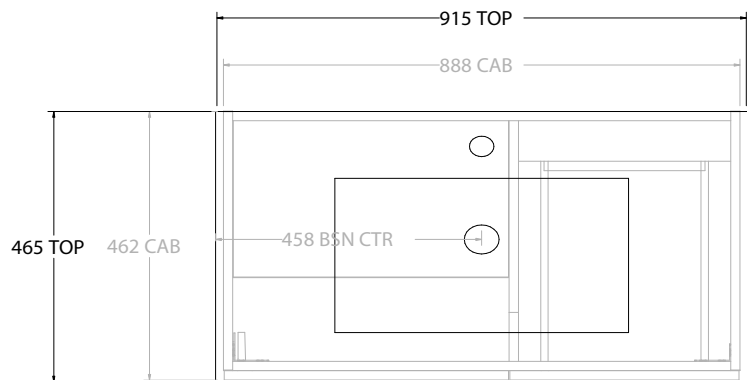
NOTES:
ALL DIMENSIONS ARE NOMINAL AND SUBJECT TO CHANGE. DO NOT DRILL OR ROUGH IN UNTIL YOU HAVE RECEIVED AND MEASURED YOUR PRODUCT. ALL DIMENSIONS ARE IN MILLIMETRES. DO NOT MEASURE FROM DRAWING.



PRODUCT:	GLACIER DOOR & DRAWER TWIN 750 WALL HUNG OFFSET BASIN	
CODE:	LITE: GLLFCW0750WHLCE*	PRO: GLPFCW0750WHLCE*
MOUNTING:	WALL HUNG	
SIZE:	765W X 465D X 566H	
CONFIGURATION:	DOOR & DRAWER	
VERSION:	01	DATE: 08/16/22

TOP:	CERAMIC GLACIER 750
BASIN POSITION:	OFFSET BASIN

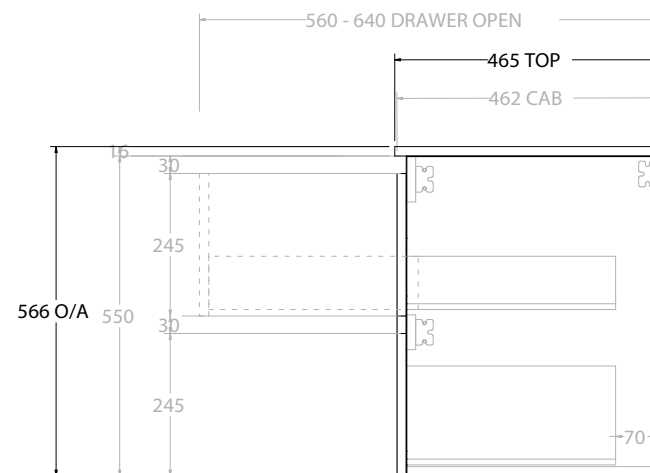
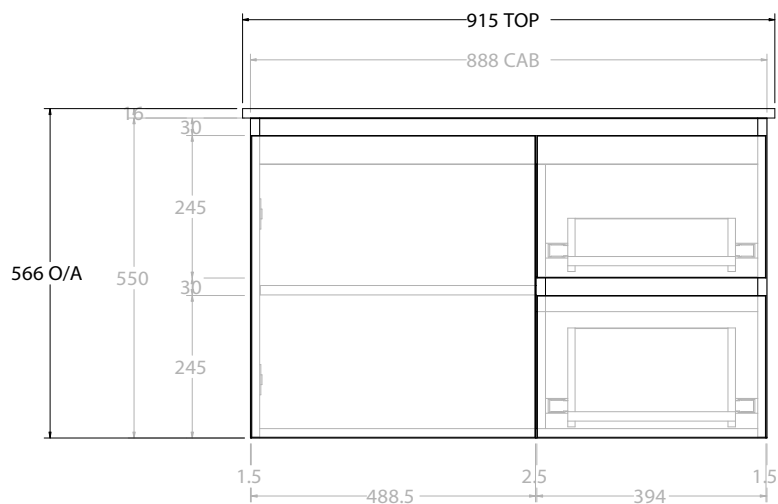
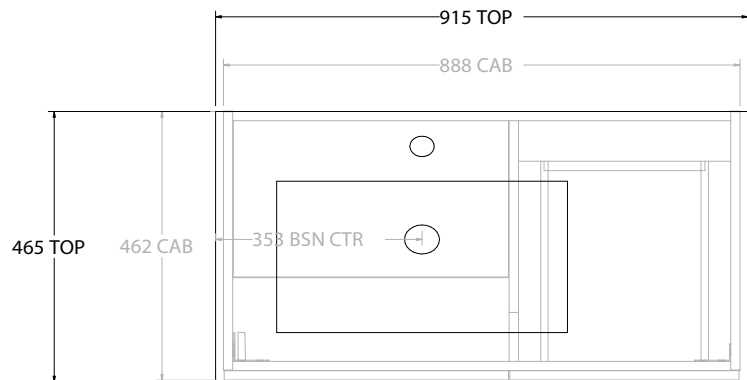
NOTES:
ALL DIMENSIONS ARE NOMINAL AND SUBJECT TO CHANGE.
DO NOT DRILL OR ROUGH IN UNTIL YOU HAVE RECEIVED AND MEASURED YOUR PRODUCT.
ALL DIMENSIONS ARE IN MILLIMETRES.
DO NOT MEASURE FROM DRAWING.
*LEFT HAND OFFSET PICTURED, RIGHT HAND OFFSET IS SAME BUT MIRRORED (REPLACE CODE SUFFIX LCE, WITH RCE)



PRODUCT:	GLACIER DOOR & DRAWER TWIN 900 WALL HUNG CENTRE BASIN	
CODE:	LITE: GLLFCW0900WHCCE	PRO: GLPFCW0900WHCCE
MOUNTING:	WALL HUNG	
SIZE:	915W X 465D X 566H	
CONFIGURATION:	DOOR & DRAWER	
VERSION: 01	DATE:	08/16/22

TOP:	CERAMIC GLACIER 900
BASIN POSITION:	CENTRE BASIN

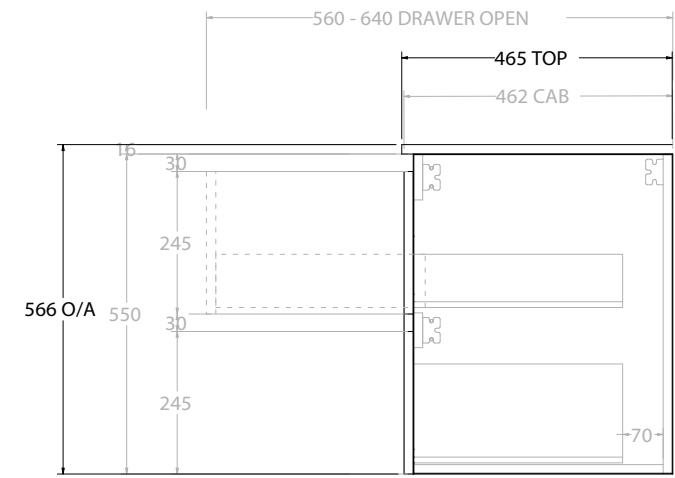
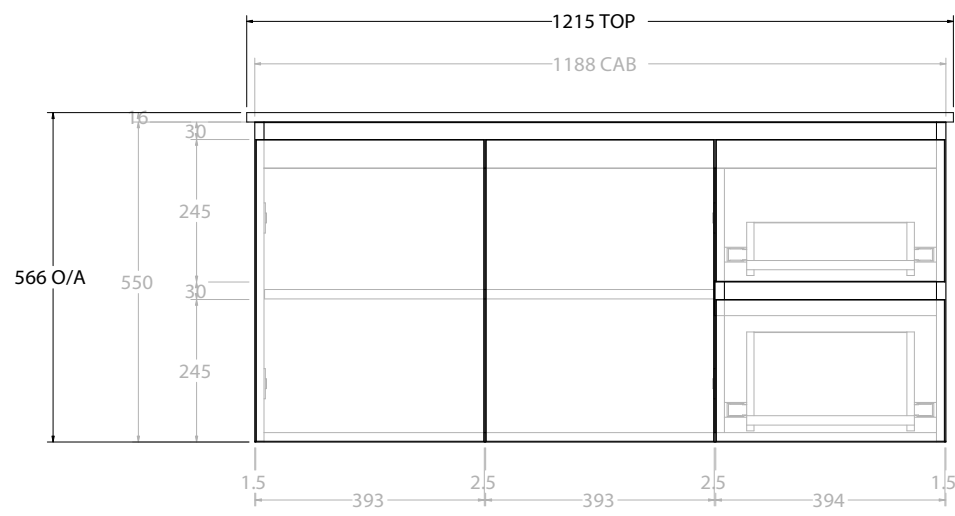
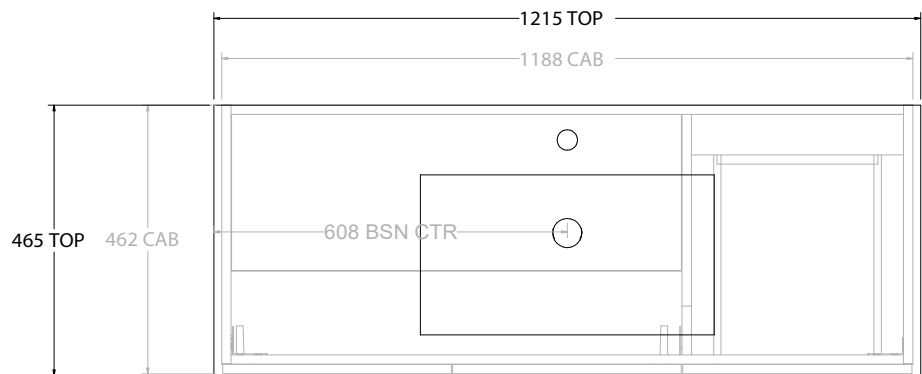
NOTES:
ALL DIMENSIONS ARE NOMINAL AND SUBJECT TO CHANGE. DO NOT DRILL OR ROUGH IN UNTIL YOU HAVE RECEIVED AND MEASURED YOUR PRODUCT. ALL DIMENSIONS ARE IN MILLIMETRES. DO NOT MEASURE FROM DRAWING.



PRODUCT:	GLACIER DOOR & DRAWER TWIN 900 WALL HUNG OFFSET BASIN	
CODE:	LITE: GLLFCW0900WHLCE*	PRO: GLPFCW0900WHLCE*
MOUNTING:	WALL HUNG	
SIZE:	915W X 465D X 566H	
CONFIGURATION:	DOOR & DRAWER	
VERSION:	01	DATE: 08/16/22

TOP:	CERAMIC GLACIER 900
BASIN POSITION:	OFFSET BASIN

NOTES:
ALL DIMENSIONS ARE NOMINAL AND SUBJECT TO CHANGE.
DO NOT DRILL OR ROUGH IN UNTIL YOU HAVE RECEIVED AND MEASURED YOUR PRODUCT.
ALL DIMENSIONS ARE IN MILLIMETRES.
DO NOT MEASURE FROM DRAWING.
*LEFT HAND OFFSET PICTURED, RIGHT HAND OFFSET IS SAME BUT MIRRORED (REPLACE CODE SUFFIX LCE, WITH RCE)

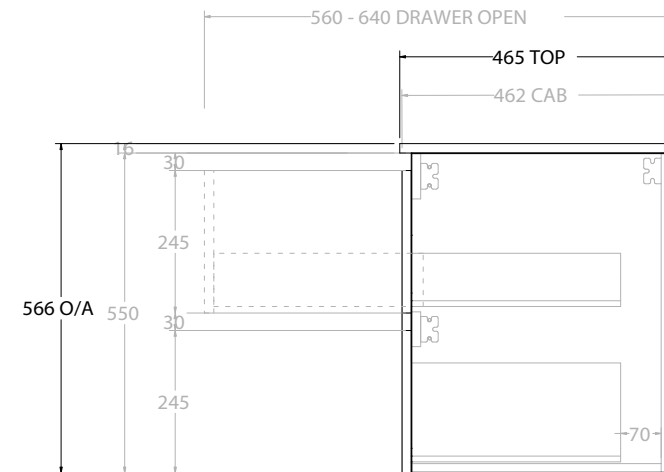
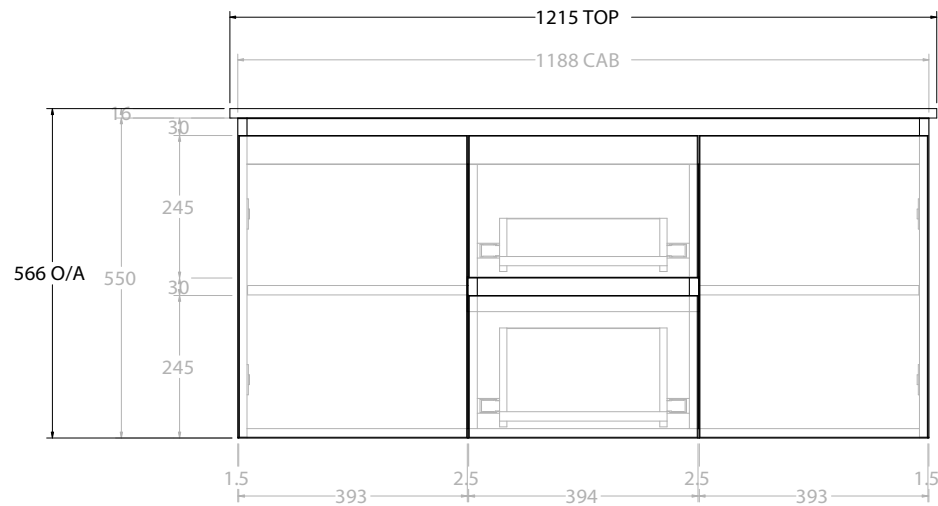
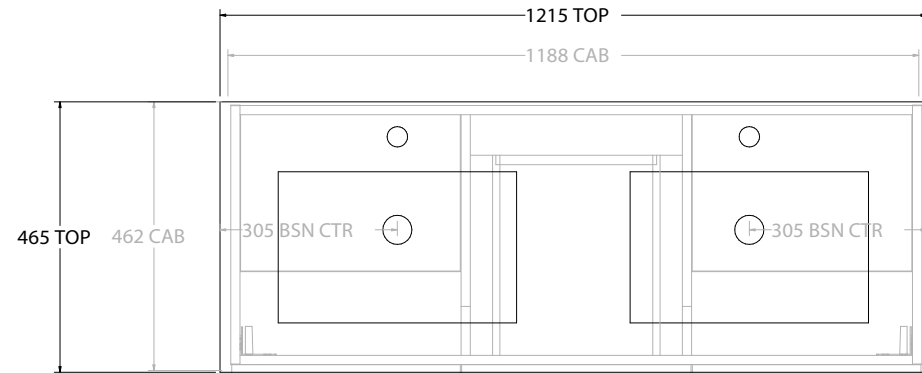


PRODUCT:	GLACIER DOOR & DRAWER TWIN 1200 WALL HUNG CENTRE BASIN	
CODE:	LITE: GLLFCW1200WHCCE	PRO: GLPFCW1200WHCCE
MOUNTING:	WALL HUNG	
SIZE:	1215W X 465D X 566H	
CONFIGURATION:	DOOR & DRAWER	
VERSION:	01	DATE: 08/16/22

TOP:	CERAMIC GLACIER 1200
BASIN POSITION:	CENTRE BASIN

NOTES:

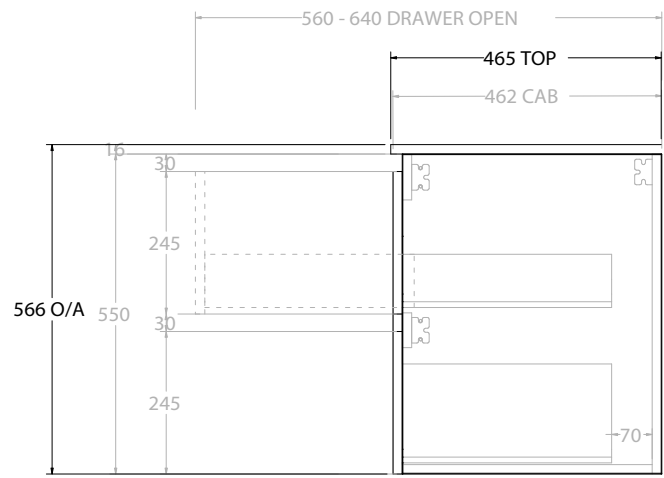
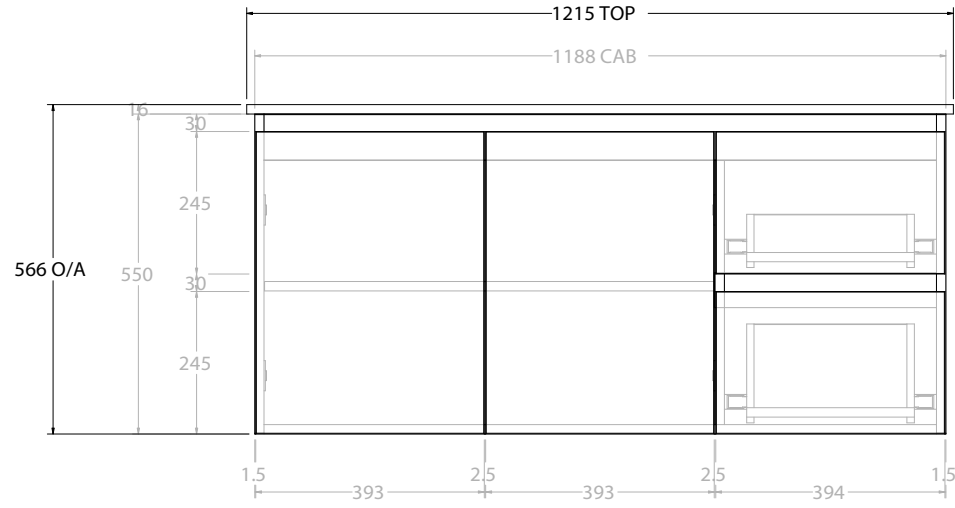
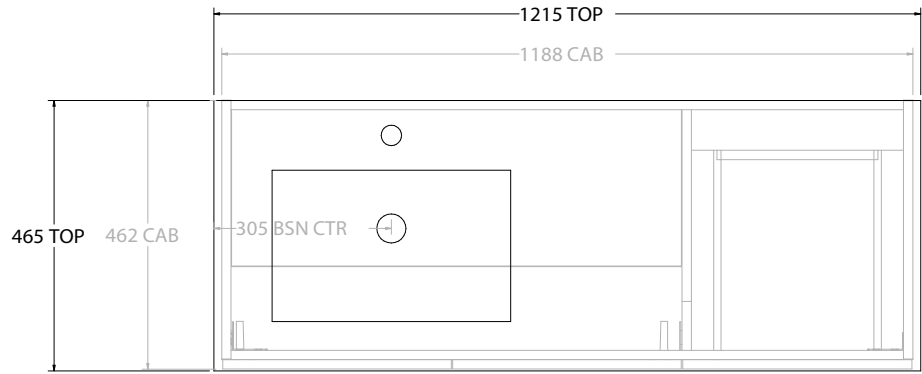
ALL DIMENSIONS ARE NOMINAL AND SUBJECT TO CHANGE.
 DO NOT DRILL OR ROUGH IN UNTIL YOU HAVE RECEIVED AND MEASURED YOUR PRODUCT.
 ALL DIMENSIONS ARE IN MILLIMETRES.
 DO NOT MEASURE FROM DRAWING.



PRODUCT:	GLACIER DOOR & DRAWER TWIN 1200 WALL HUNG DOUBLE BASIN	
CODE:	LITE: GLLFCW1200WHDCE	PRO: GLPFCW1200WHDCE
MOUNTING:	WALL HUNG	
SIZE:	1215W X 465D X 566H	
CONFIGURATION:	DOOR & DRAWER	
VERSION:	01	DATE: 08/16/22

TOP:	CERAMIC GLACIER 1200
BASIN POSITION:	DOUBLE BASIN

NOTES:
ALL DIMENSIONS ARE NOMINAL AND SUBJECT TO CHANGE. DO NOT DRILL OR ROUGH IN UNTIL YOU HAVE RECEIVED AND MEASURED YOUR PRODUCT. ALL DIMENSIONS ARE IN MILLIMETRES. DO NOT MEASURE FROM DRAWING.

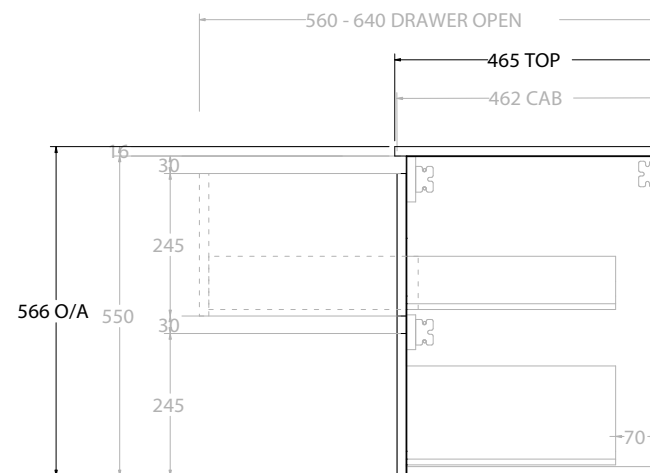
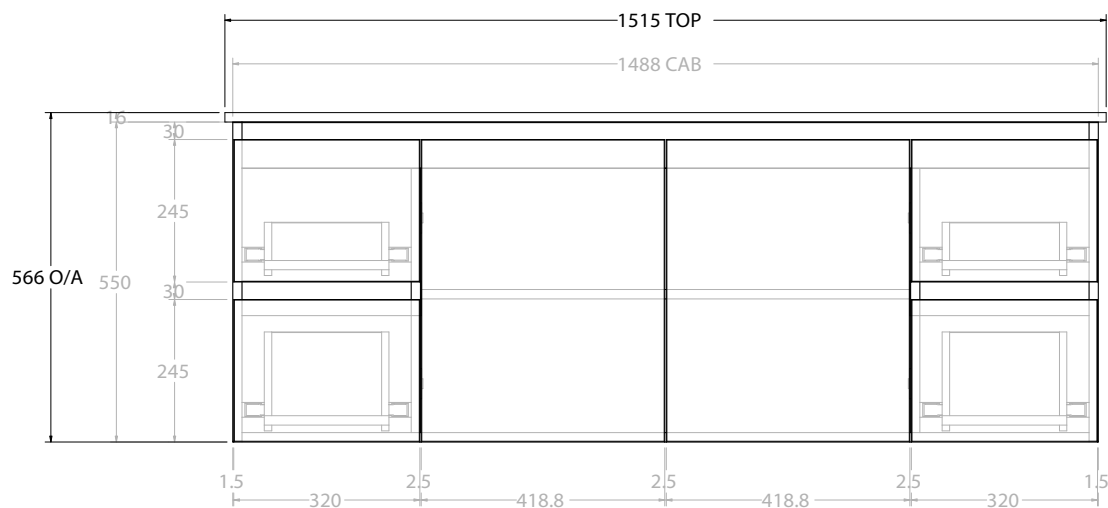
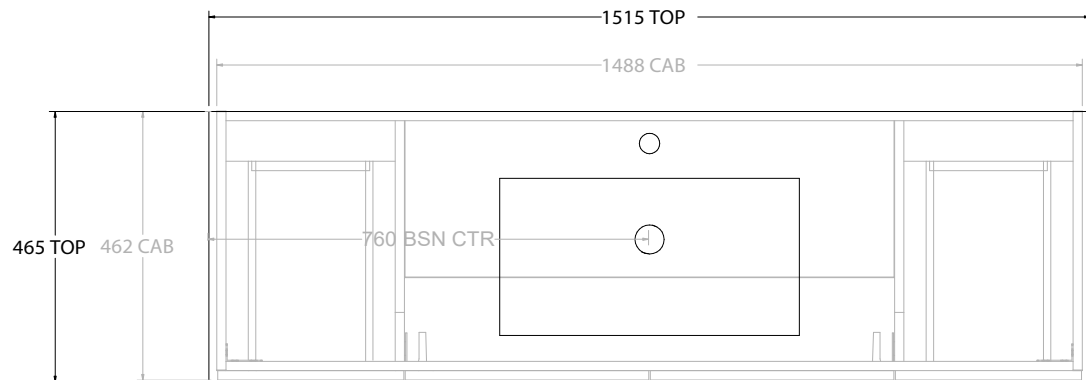


PRODUCT:	GLACIER DOOR & DRAWER TWIN 1200 WALL HUNG OFFSET BASIN	
CODE:	LITE: GLLFCW1200WHLCE*	PRO: GLPFCW1200WHLCE*
MOUNTING:	WALL HUNG	
SIZE:	1215W X 465D X 566H	
CONFIGURATION:	DOOR & DRAWER	
VERSION:	01	DATE: 08/16/22

TOP:	CERAMIC GLACIER 1200
BASIN POSITION:	OFFSET BASIN

NOTES:

ALL DIMENSIONS ARE NOMINAL AND SUBJECT TO CHANGE.
 DO NOT DRILL OR ROUGH IN UNTIL YOU HAVE RECEIVED AND MEASURED YOUR PRODUCT.
 ALL DIMENSIONS ARE IN MILLIMETRES.
 DO NOT MEASURE FROM DRAWING.
 *LEFT HAND OFFSET PICTURED, RIGHT HAND OFFSET IS SAME BUT MIRRORED (REPLACE CODE SUFFIX LCE, WITH RCE)

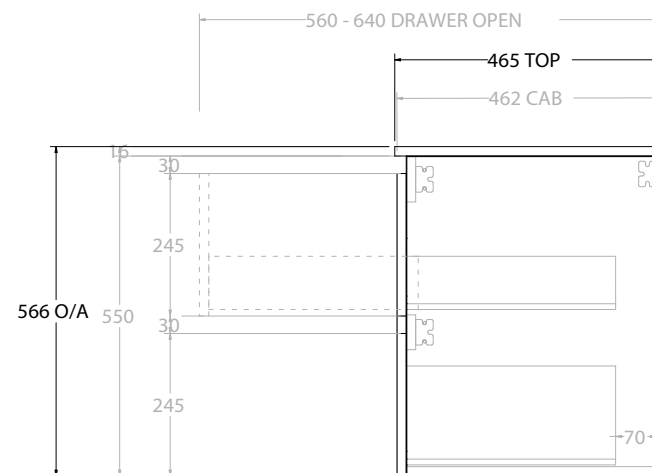
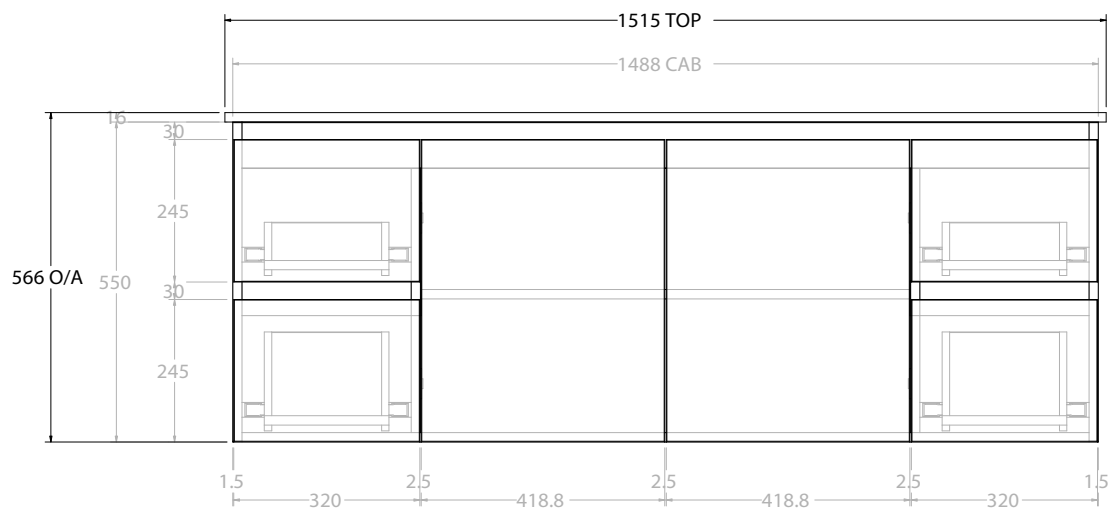
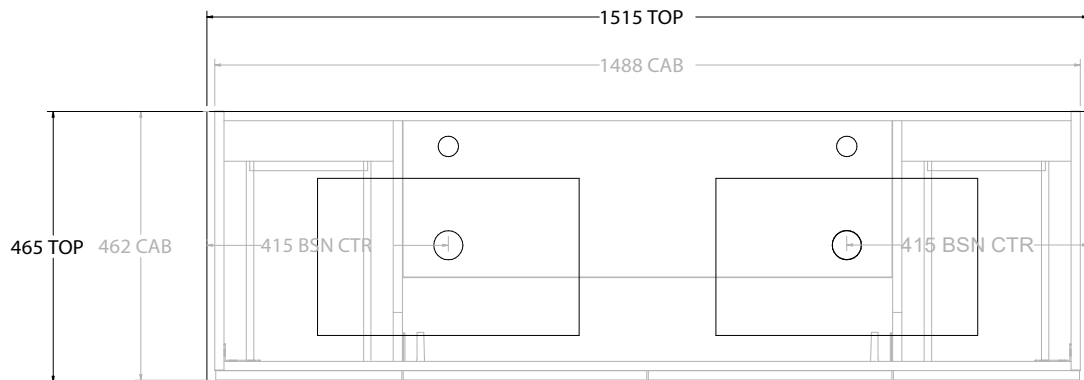


Adp

PRODUCT:	GLACIER DOOR & DRAWER TWIN 1500 WALL HUNG CENTRE BASIN	
CODE:	LITE: GLLFCW1500WHCCE	PRO: GLPFCW1500WHCCE
MOUNTING:	WALL HUNG	
SIZE:	1515W X 465D X 566H	
CONFIGURATION:	DOOR & DRAWER	
VERSION:	01	DATE: 08/16/22

TOP:	CERAMIC GLACIER 1500
BASIN POSITION:	CENTRE BASIN

NOTES:
ALL DIMENSIONS ARE NOMINAL AND SUBJECT TO CHANGE. DO NOT DRILL OR ROUGH IN UNTIL YOU HAVE RECEIVED AND MEASURED YOUR PRODUCT. ALL DIMENSIONS ARE IN MILLIMETRES. DO NOT MEASURE FROM DRAWING.



PRODUCT:	GLACIER DOOR & DRAWER TWIN 1500 WALL HUNG DOUBLE BASIN	
CODE:	LITE: GLLFCW1500WHDCE	PRO: GLPFCW1500WHDCE
MOUNTING:	WALL HUNG	
SIZE:	1515W X 465D X 566H	
CONFIGURATION:	DOOR & DRAWER	
VERSION:	01	DATE: 08/16/22

TOP:	CERAMIC GLACIER 1500
BASIN POSITION:	DOUBLE BASIN

NOTES:
ALL DIMENSIONS ARE NOMINAL AND SUBJECT TO CHANGE. DO NOT DRILL OR ROUGH IN UNTIL YOU HAVE RECEIVED AND MEASURED YOUR PRODUCT. ALL DIMENSIONS ARE IN MILLIMETRES. DO NOT MEASURE FROM DRAWING.