

Baö Bath



FREESTANDING BATH

Installation & Owner Guide

THIS PRODUCT MUST BE INSTALLED BY A QUALIFIED TRADESMAN

PRE-INSTALLATION CHECKS

- **Unpack and inspect the item.** Make sure that the item is correct and that no damage has occurred during transit. If you find any visible defects, do not proceed with installation. Instead, contact The Blue Space immediately. **Any claims for damage after installation will not be accepted.**
- **Protect your bath.** During and after installation, take steps to protect your bath from scratches, cracks, and other surface damage. Such damage is not covered by the warranty.
- **Install in accordance with regulations.** The installation must be in accordance with all applicable building regulations and local authority requirements.






WARRANTY TERMS & CONDITIONS



Bao Bath products are guaranteed for 10 years against defects in materials and workmanship. Parts and labor are covered for 1 year. This warranty is in addition to the statutory rights you have under Australian Consumer Law.

For full terms and conditions of the warranty or to make a warranty claim please visit The Blue Space website or contact us on support@thebluespace.com.au

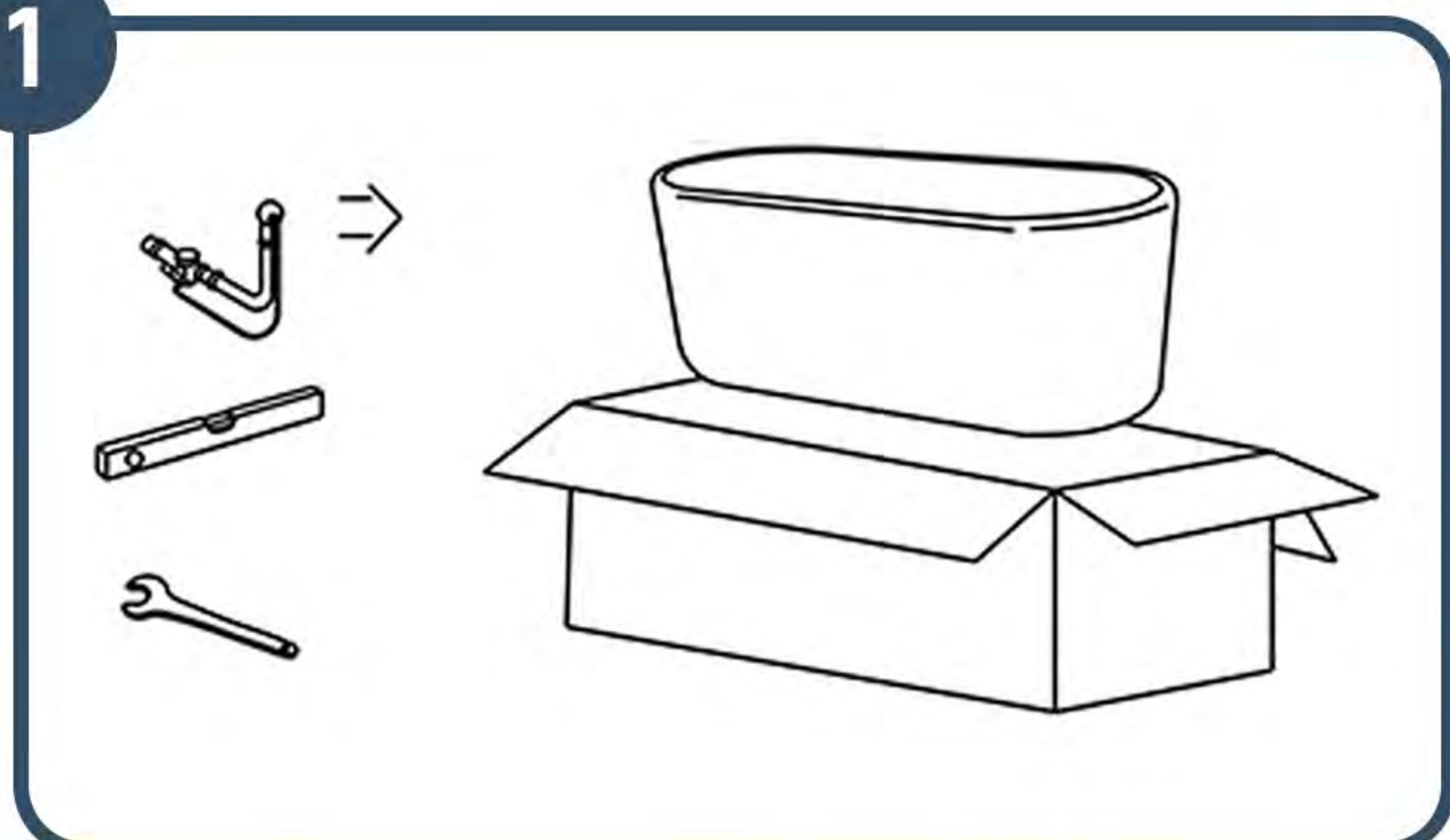
CARING FOR YOUR BATH

-  Once your bath has been installed, fill the bathtub with cold water to allow the bath to gradually adapt to the temperature.
-  After using the bathtub, clean it with a soft cloth and warm, soapy water. This will remove any oils or soap and prevent tide marks from forming.
-  Only use mild liquid detergents and warm, soapy water to clean the bathtub. Do not use powders, pastes, creams, chemicals, window cleaning sprays, or abrasive cleaners.
-  Cream cleaners can only be used to remove stubborn marks.
-  Scratches can be removed with a fine polish, such as Brasso.

INSTALLATION INSTRUCTIONS

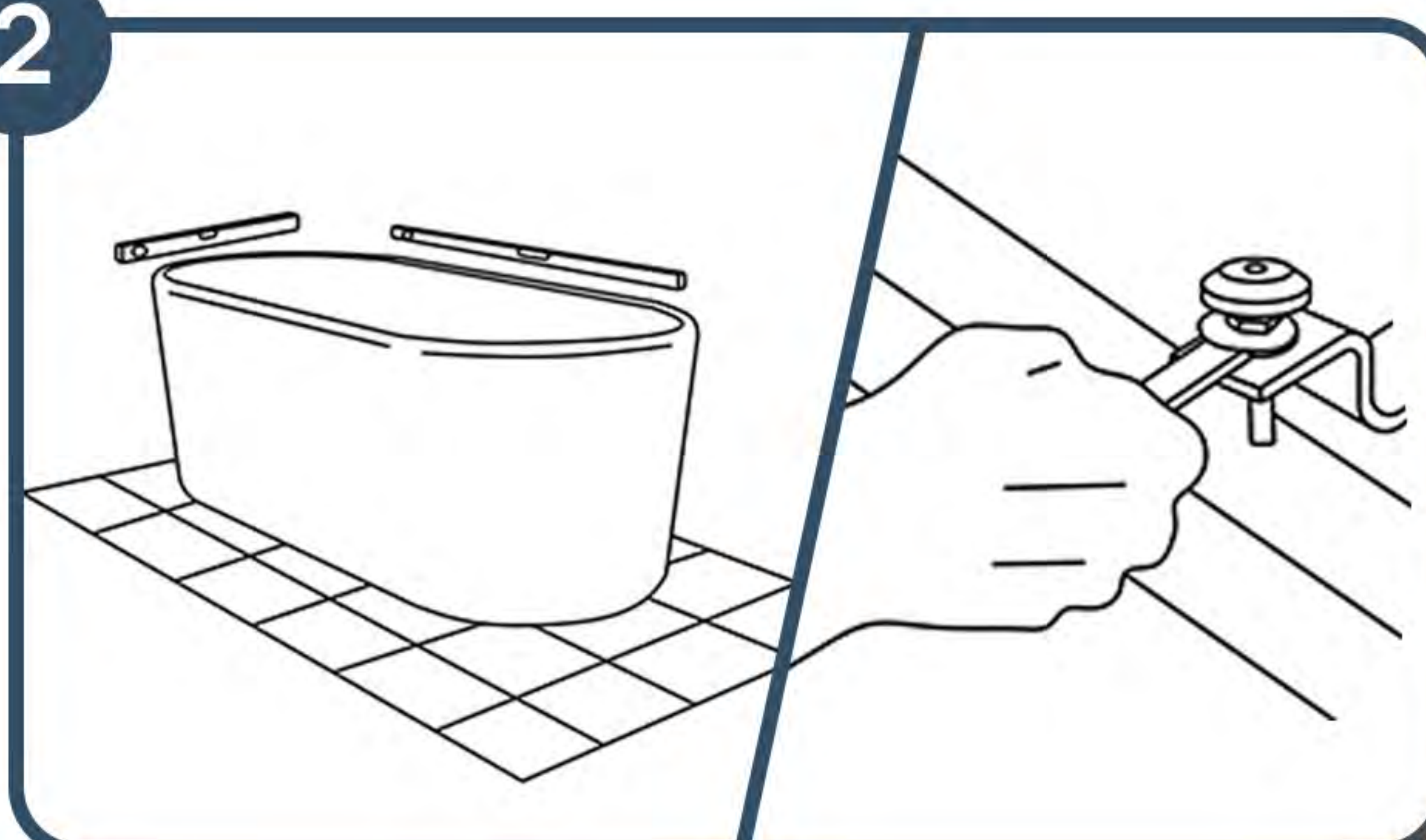
FREESTANDING BATHTUB

1



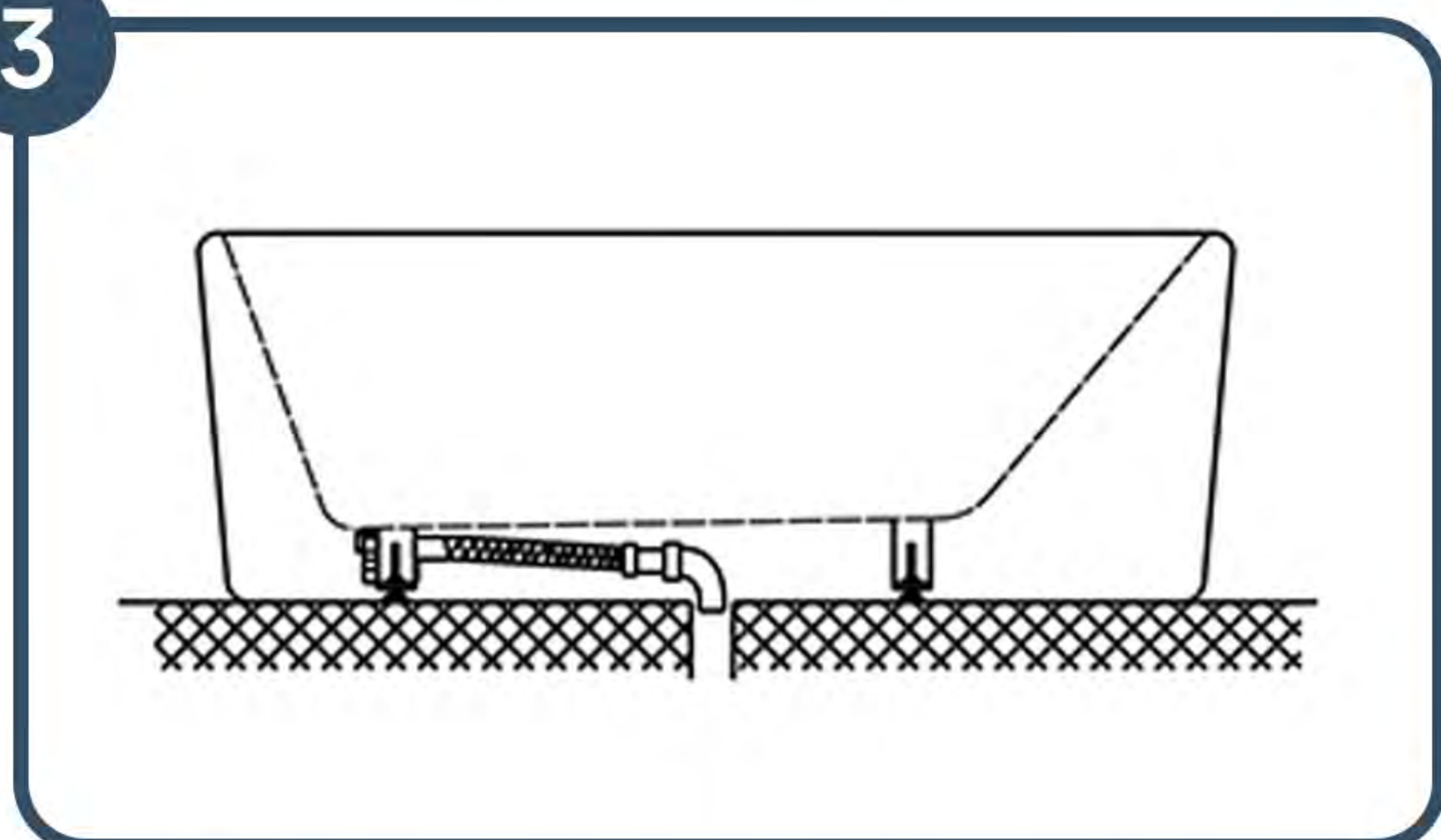
Remove your freestanding bath from the packaging & place it in the correct location for installation. Check for damage & ensure your freestanding bath is kept away from any rubble, rough surfaces or heavy objects during installation.

2



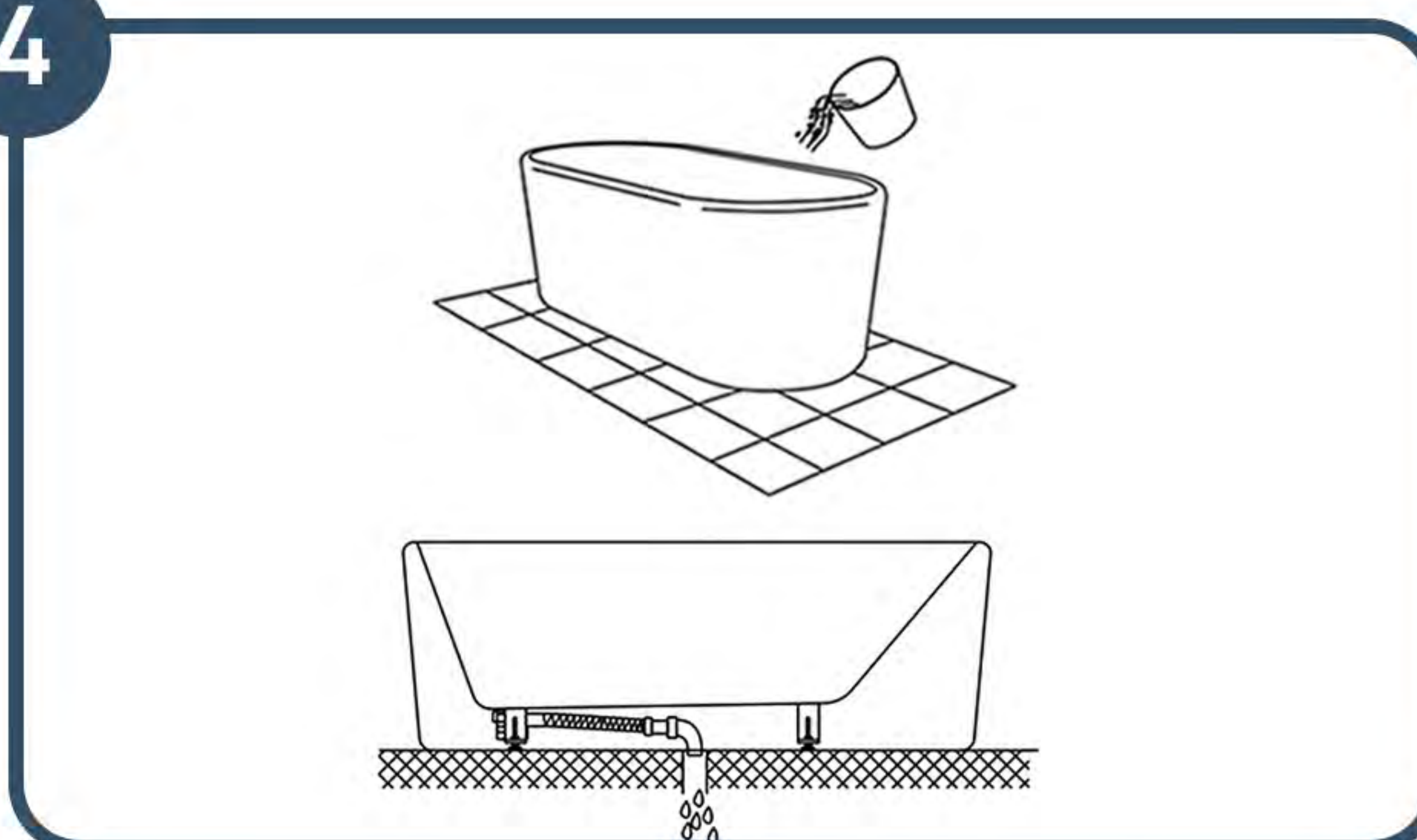
Adjust the self-levelling feet so that the base is level and 1 – 5 mm above the finished floor. Use a spirit level to ensure the bath is level to allow all water to drain away smoothly to the waste outlet.

3



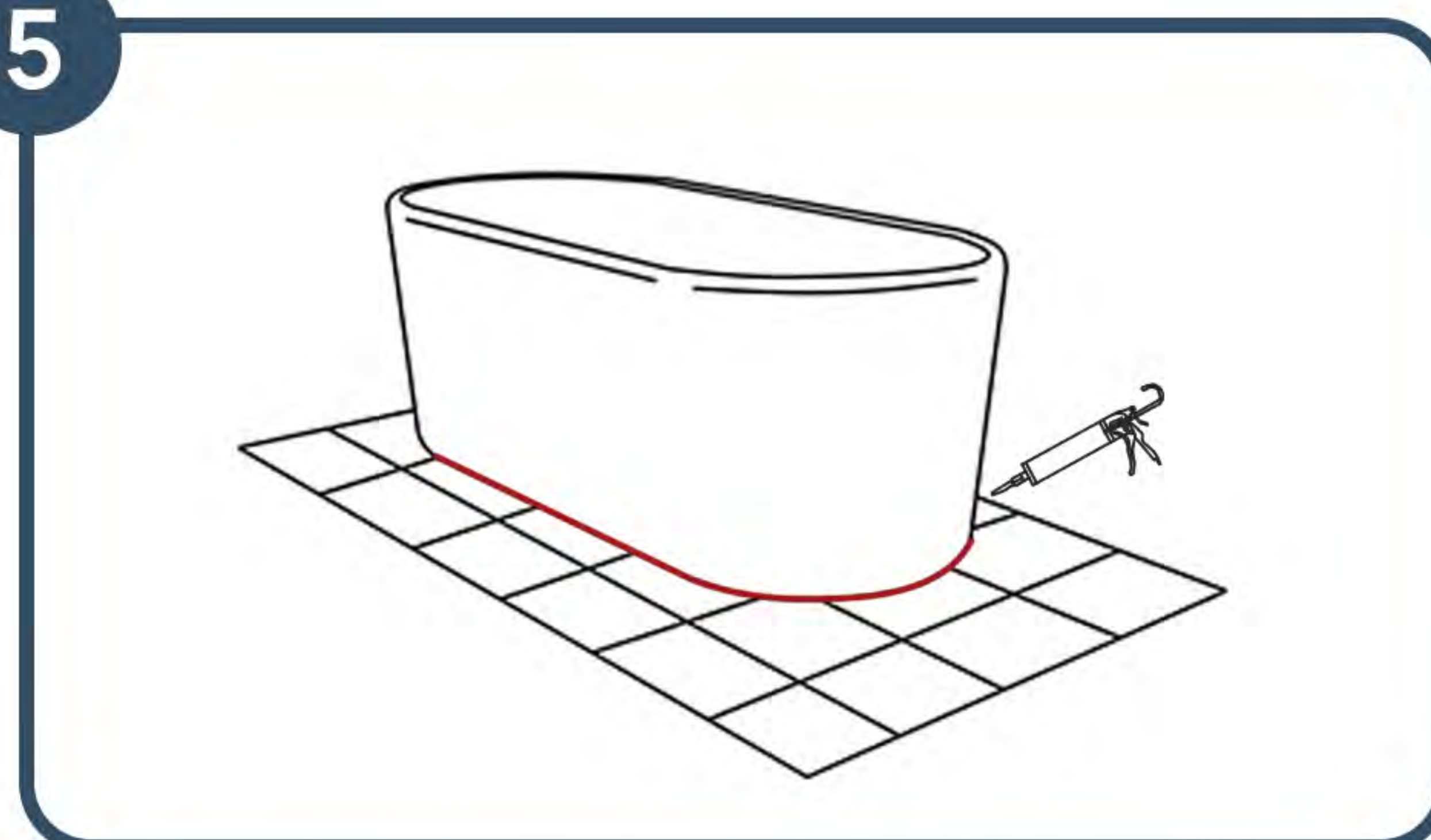
Carefully tilt the bath to connect the drain pipe to the outlet. We recommend using a flexible connector.

4



Before sealing in place, check the bath for leaks and correct drainage by filling the bath with water and ensuring water flows easily through the waste outlet.

5



Apply silicon around the base of the bath to prevent movement. Allow to set for 24 hours.

**NOTE:**

Use a soft material to cover the tub during installation to prevent scratches.