



Opal

SUPPORT BATHROOM COLLECTION





Our Caroma LiveWell Collection specialises in providing beautiful designs which enhance the wellbeing of Australians and New Zealanders who need a little extra assistance in the bathroom. We understand that bathroom design is an important factor in promoting independency in the home for longer and our industrial designers have worked closely with health and aged care experts to create this comprehensive range of products, designed to deliver innovative solutions that surpass industry standards.

Designed with practicality at the core, our trusted LiveWell Collection enables comfortable living at every stage of life. LiveWell includes a versatile range of styles that enables you to create a unique space that both complements and elevates your lifestyle.

“We created the **Opal** Collection to enhance independence within the home. It’s a stylish combination of practicality and contemporary design.”



P. Sweatman
- Dr Peter Sweatman,
Caroma Design Researcher



Opal

The Opal Collection is a comprehensive and versatile range which is specifically designed to enhance your independence in the bathroom without having to compromise on style. Discreet design features such as raised height toilet pans and integrated shelf space on basins are just some of the simple additions offered to reduce challenges for the elderly and make the bathroom a more comfortable and practical space. Featuring smooth, rounded contours and clean lines, the Opal Collection will fit effortlessly into any bathroom, while ensuring easy cleaning, for maximum hygiene. It's the trusted Collection for all bathrooms designed with wellbeing in mind.





Create your *sanctuary*

First impressions count! At first glance, you'll see a stylish, modern bathroom. Look again and you'll see our integrated care products. Aging has never looked so good!

- 1** Opal Cleanflush® Easy Height Wall Faced Close Coupled Suite with Double Flap Seat **985300W**


- 2** Opal Support Rail 135 Degree Right Hand Angled **687379C**


- 3** Opal Support Corner Shower Rail **687383W**


- 4** Opal Support Corner Shower Rail with Basket **687384W**


- 5** Opal Support Folding Shower Seat **687385W**


- 6** Urbane II 1800 Back to Wall Bath **AU8WFW**


- 7** Opal Support Rail 600mm Straight **687377C**


- 8** Liano Swivel Bath Outlet **880001C**


- 9** Opal Bath/Shower Mixer **99707C**


- 10** Opal Basin Mixer **99700C6A**


- 11** Opal 720 Wall Basin with Left Hand Shelf (with optional Shroud) **632210W**


- 12** Opal Shroud (for Opal basins) **632601W**


- 13** Opal Support Rail 90 Degree Left or Right Hand Angled **687380C**


- 14** Opal Support VJet® Shower with 90 Degree Rail Left or Right Hand Angled **687368C4E**



Care & Style Combined

The Opal Colour tapware range are available in a variety of colours and finishes. The range includes a Matte Black, Chrome and PVD Brushed Nickel.



BRUSHED NICKEL



MATTE BLACK



CHROME

Tapware

Embrace a trusted luxury experience with the Opal colour tapware range, offering all the features which are critical to care environments, while allowing you to customise your independent living bathroom.

Available in a beautiful and highly durable palette of 3 colour finishes, including chrome, brushed nickel (PVD) and matte black (Electroplated), the collection complements the Opal support colour rails range.

- Antibacterial aerator with Laminar flow
- Basin mixer: 6 star (4.5L/min) with optional 5 star antibacterial aerator included
- Sink mixer: 4 star (7.5L/min) with optional 6 star antibacterial aerator included
- Sink mixer spout rotation can be set to 170°, 70° or fixed. (170° Default)
- Large colour indicators, Warm/Cold options available
- Interchangeable AS1428.1 extended care handle
- Easy-Switch shower mixer trim kits allows you to change colour without removing tiles

Colours available:

- Chrome
- Matte Black
- PVD Brushed Nickel



Opal Basin Mixer H/C
WELS 6 star rated, 4.5L/min

- 99700C6A
- 99700B6A
- 99700BN6A



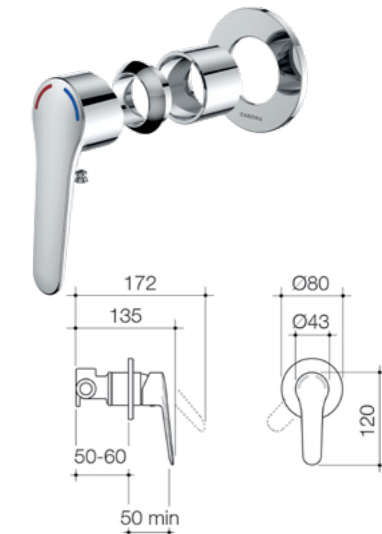
Opal Sink Mixer H/C
WELS 4 star rated, 7.5L/min

- 99702C4A
- 99702B4A
- 99702BN4A



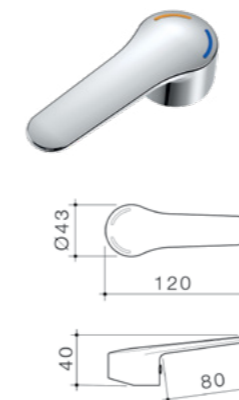
Opal Shower/Bath Mixer H/C

- 99707C
- 99707B
- 99707BN



Opal Shower/Bath Mixer Trim Kit

- 99701C
- 99701B
- 99701BN



Standard Handle W/C

- 99703C
- 99703B
- 99703BN



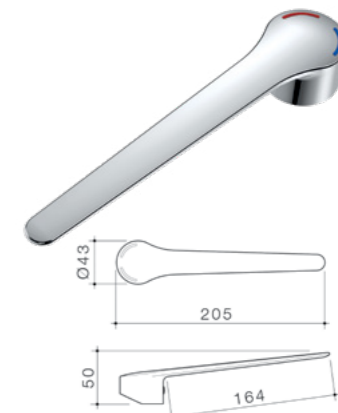
Standard Handle H/C

- 99705C
- 99705B
- 99705BN



Extended Care Handle W/C

- 99704C
- 99704B
- 99704BN



Extended Care Handle H/C

- 99706C
- 99706B
- 99706BN

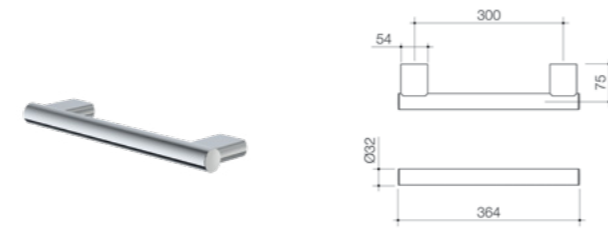
Support rails

Our Opal collection support rails are designed to enhance independence by providing additional support and balance assistance inside the home. The discreet, modern design, means they help prevent slips and falls, without compromising on style.

- Durable brass construction
- Available in a variety of lengths and angles to suit a range of locations
- Designed for support. Load bearing up to 1100N (approx. 110kg)
- Deemed to comply with AS1428.1-2021 requirements

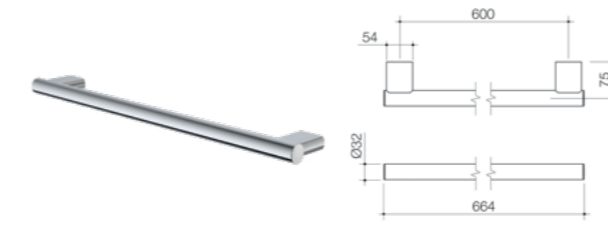
Colours available:

- Chrome
- Matte Black
- Brushed Nickel



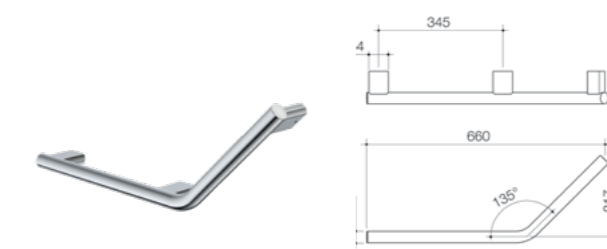
Opal Support Rail 300mm Straight

- 687375C
- 687375B
- 687375BN



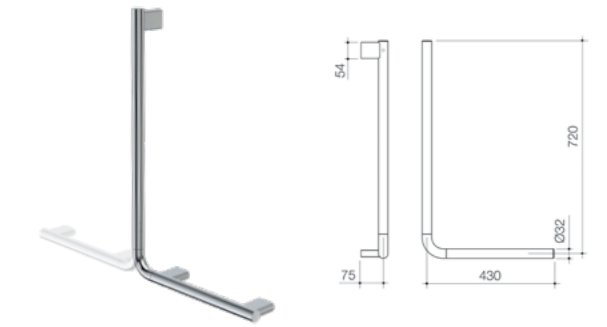
Opal Support Rail 600mm Straight

- 687377C
- 687377B
- 687377BN



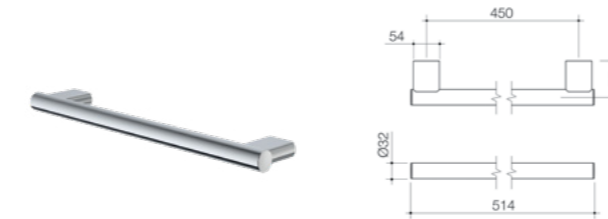
Opal Support Rail 135 Degree Left Hand Angled

- 687378C
- 687378B
- 687378BN



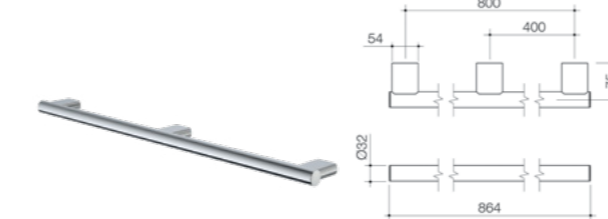
Opal Support Rail 90 Degree Left or Right Angled

- 687380C
- 687380B
- 687380BN



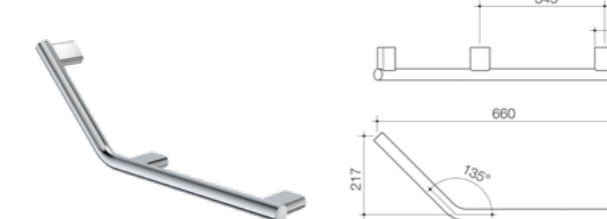
Opal Support Rail 450mm Straight

- 687376C
- 687376B
- 687376BN



Opal Support Rail 800mm Straight

- 6873771C
- 6873771B
- 6873771BN



Opal Support Rail 135 Degree Right Hand Angled

- 687379C
- 687379B
- 687379BN

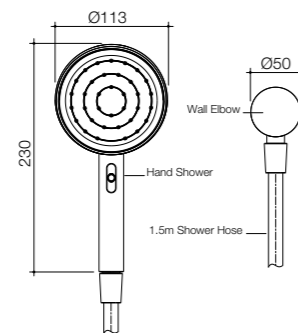
Support showers

Enhance your showering experience with VJet® technology, now available in the Opal Support shower range. Use the slide controller to seamlessly transition from an invigorating shower spray through to a gentle mist and find your perfect setting with VJet®. Available with straight or angled rail options for additional shower support.

- VJet® shower technology
- WELS 4 star rated, 7.5L/min
- Available with straight or angled rail
- Designed for support. Load bearing up to 1100N (approx. 110kg)

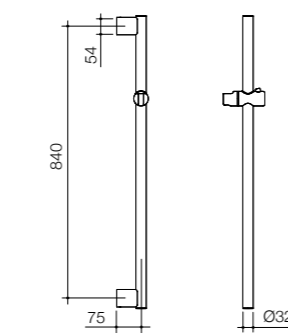
Colours available:

- Chrome
- Matte Black
- Brushed Nickel



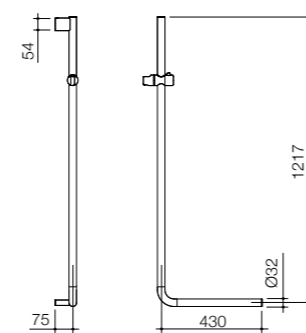
Opal Support VJet® Hand Shower

- 687365C4E
- 687365B4E
- 687365BN4E



Opal Support VJet® Shower Straight Rail

- 687367C4E
- 687367B4E
- 687367BN4E



Opal Support VJet® Shower 90 Degree Rail

- 687368C4E
- 687368B4E
- 687368BN4E





Shower accessories

Enhance the showering experience with the added confidence of our Opal Collection's shower support products. The corner support rails and shower seats provide added safety in a wet area, to help prevent slips and falls.

CORNER SUPPORT RAILS

Our corner shower support rails provide a comfortable and stable hand rail or foothold, to reduce the need for bending.

- Durable metal construction with textured grip area
- Available with the added convenience of a storage basket
- Designed for support. Load bearing up to 1100N (approx. 110kg)

Colours available:

- Chrome
 Matte Black
 Brushed Nickel



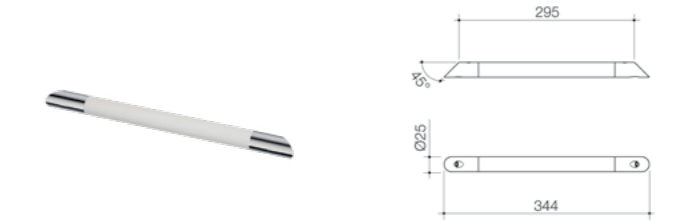
SHOWER SEAT

Our shower seat provides support and stability for those with limited mobility, giving the user more independence and comfort. The sleek, slimline design folds up out of the way when not in use.

- Non-slip surface on seat
- Maximum load 150kg

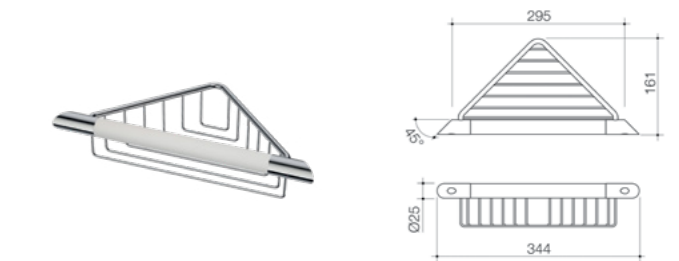
Colours available:

- Chrome
 Matte Black
 Brushed Nickel



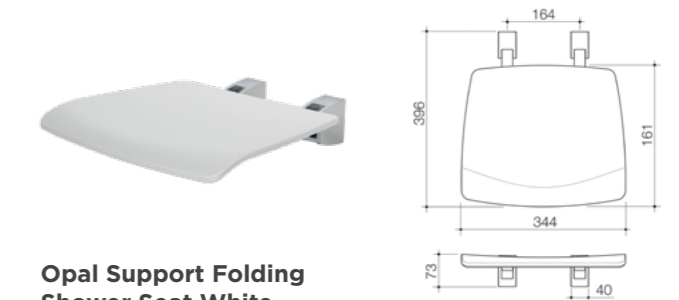
Opal Support Corner Shower Support Rail

- 687383W
 687383B
 687383BN



Opal Support Corner Shower Support Rail with Basket

- 687384W
 687384B
 687384BN



Opal Support Folding Shower Seat White

- 687385W
 687385B
 687385BN

Caroma Cleanflush® is our most effective and hygienic toilet. Our patented design features *revolutionary rimless technology* that delivers the next generation of toilets: easy to clean and water efficient with *superior* hygiene.



FLOW SPLITTER
Powerful flush for whole bowl clean



FLOW CHANNELS
Controlled water flow eliminates splash back



FLOW BALANCER
Precise flush stream effectively clears the bowl

Toilets

The patented and streamlined rimless design of the modern Opal Cleanflush® collection brings style and functionality to the bathroom. Added benefits such as Cleanflush® for maximum hygiene and optional nurse call armrests are designed to improve independence and wellbeing for users and carers. The Opal Cleanflush® suite is an ideal option for your home, retirement living and residential aged care facilities.

- Features award-winning Caroma Cleanflush® technology - hygienic design for easy cleaning
- Easy height pan makes it easier on the knees reducing the wear and tear over time
- Long projection on the Pan allows easier access for carers and also commode chair use
- Supplied with patented Uni-Orbital® connector for flexible S or P trap installations - extends to any position up to a 50mm radius



Opal Cleanflush® Easy Height Wall Faced Suite

WELS 4 star rated, 4.5/3 (3.5L average flush)

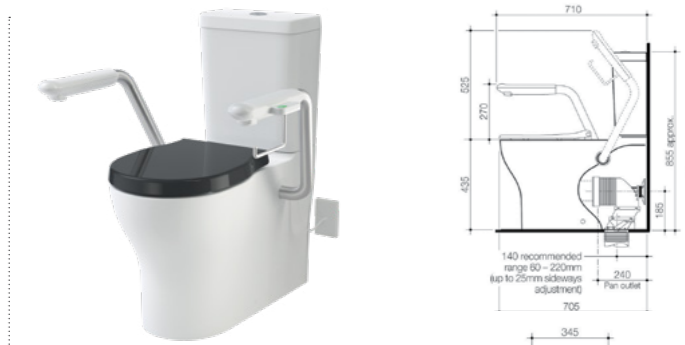
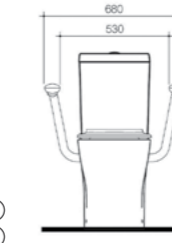
- | | | |
|-----------------------------|----------|---|
| Single flap white | 985400W | ○ |
| Double flap white | 985300W | ○ |
| Double flap anthracite grey | 985700AG | ● |
| Double flap black | 985600BL | ● |



Opal Cleanflush® Easy Height Wall Faced Suite with Armrests

WELS 4 star rated, 4.5/3 (3.5L average flush)

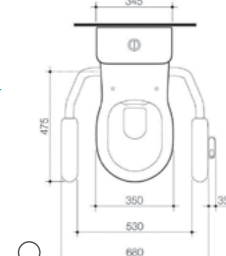
- | | | |
|-----------------------------|------------|---|
| Single flap white | 985400ARW | ○ |
| Double flap white | 985300ARW | ○ |
| Double flap anthracite grey | 985700ARAG | ● |
| Double flap black | 985600ARBL | ● |



Opal Cleanflush® Easy Height Wall Faced Suite with Nurse Call Armrests

WELS 4 star rated, 4.5/3 (3.5L average flush)

- | | | |
|--------------------------------|---------------|---|
| Left nurse call button | | |
| Single flap white | 985400ARWNCL | ○ |
| Double flap white | 985300ARWNCL | ○ |
| Double flap anthracite grey | 985700ARAGNCL | ● |
| Double flap black | 985600ARBLNCL | ● |
| Right nurse call button | | |
| Single flap white | 985400ARWNCR | ○ |
| Double flap white | 985300ARWNCR | ○ |
| Double flap anthracite grey | 985700ARAGNCR | ● |
| Double flap black | 985600ARBLNCR | ● |

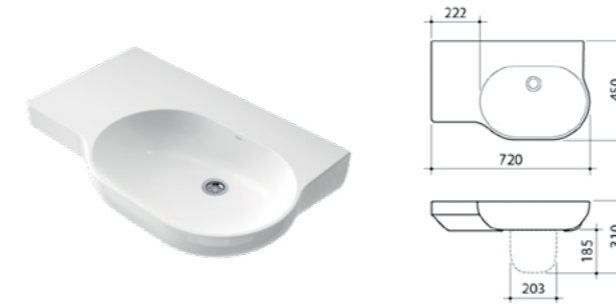




Basins

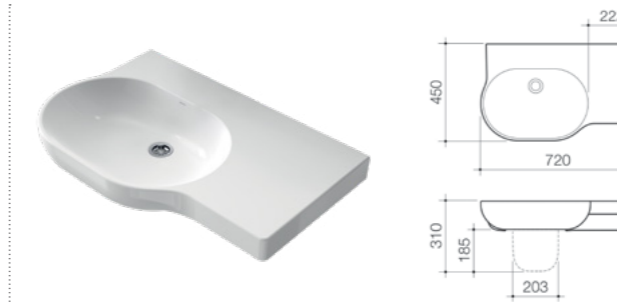
Our Opal basins combine modern style design to meet your space and storage requirements.

- Available with integrated shelves to maximise storage in the bathroom space
- Can be installed to comply with AS1428.1-2021 design for access and mobility
- Includes white plug and chrome waste



Opal 720 Wall Basin Left Hand Shelf

0 taphole 632200W
1 taphole 632210W
3 taphole 632230W



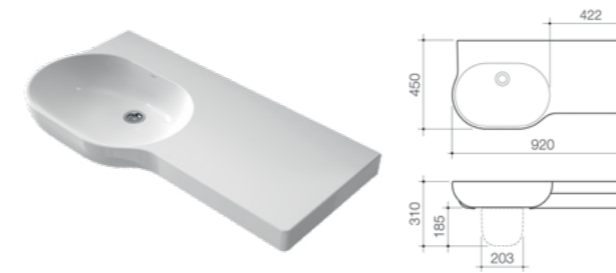
Opal 720 Wall Basin Right Hand Shelf

0 taphole 632100W
1 taphole 632110W
3 taphole 632130W



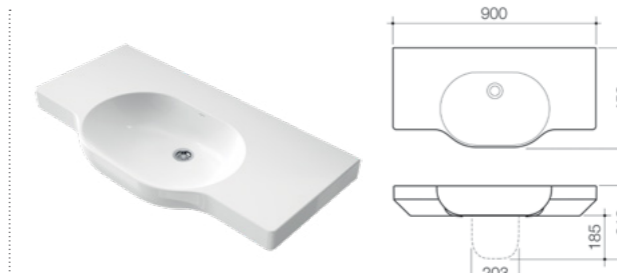
Opal 920 Wall Basin Left Hand Shelf

0 taphole 632400W
1 taphole 632410W
3 taphole 632430W



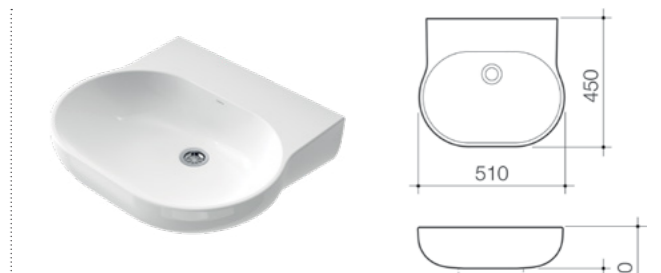
Opal 920 Wall Basin Right Hand Shelf

0 taphole 632300W
1 taphole 632310W
3 taphole 632330W



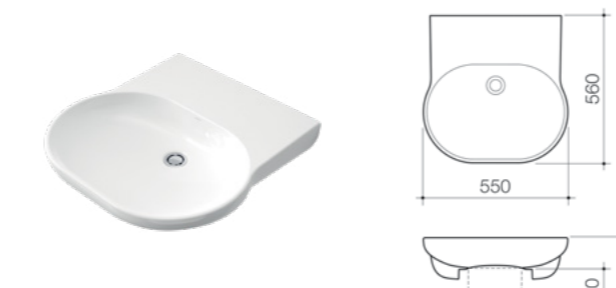
Opal 900 Twin Wall Basin

0 taphole 632500W
1 taphole 632510W
3 taphole 632530W



Opal 510 Wall Basin

0 taphole 632600W
1 taphole 632610W
3 taphole 632630W



Opal Sole 550 Wall Basin

0 taphole 631700W
1 taphole 631710W
3 taphole 631730W



Opal Shroud

632601W





With 80 years of experience, we believe quality bathrooms are a balance of form, function and looks. Our designs and innovation bring to life a guiding vision of creating sustainable luxury. Design that enables you to enjoy bathroom experiences that both complement and elevate your lifestyle, from an energising morning start to an indulgent, relaxing moment of luxury, all underpinned by sustainability.

Designing for Australians and New Zealanders, from all walks of life, with different tastes and needs; we have a wide range of classic to artisanal styles, smart designs and sustainable innovations providing you with everything you need to create the *sanctuary of your dreams.*

© Copyright 2021. Caroma Industries Ltd. ABN 35 000 189 499. All rights reserved. Material and design specifications subject to change without notice. Product colour reproduction is as near to actual product colour as production methods allow. Warning: Products in this brochure are the subject of registered designs and patents. ® is a registered trademark of Caroma Industries. This brochure relates to Australian products only and some product, design or specifications may differ in other countries.