


Bay

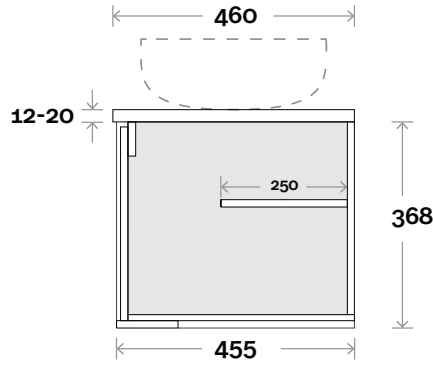
Bay 1 600mm centre basin

Top Thickness
Caesarstone: 20mm
Dekton: 12mm
Symphony: 20mm

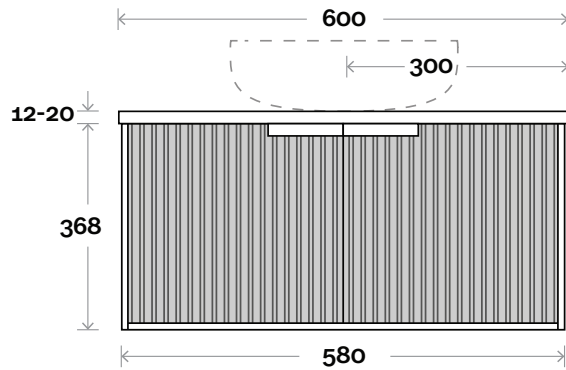
Note:
• Waste centre: 300mm std

 **Plumbing allowance**

Profile



Configuration



Bay

Bay 2 750mm centre basin

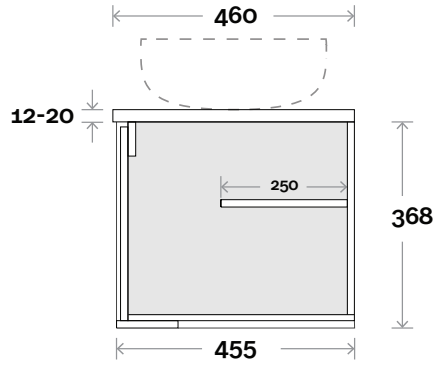
Top Thickness
Caesarstone: 20mm
Dekton: 12mm
Symphony: 20mm

Note:
• Waste centre: 375mm std

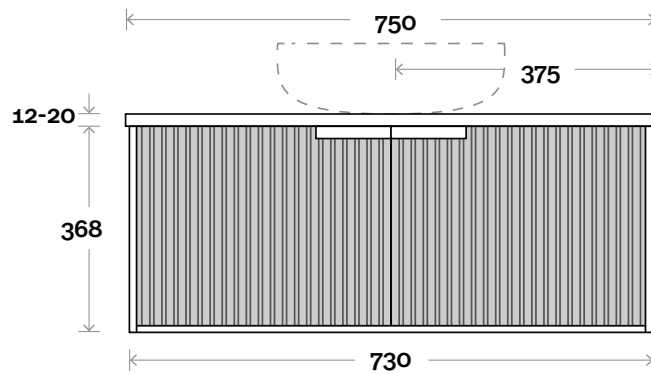


Plumbing allowance

Profile



Configuration



Bay

Bay 3 900mm centre basin

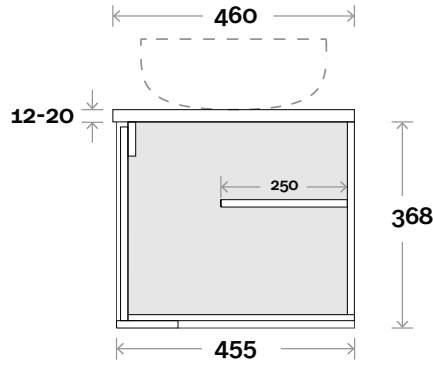
Top Thickness
Caesarstone: 20mm
Dekton: 12mm
Symphony: 20mm

Note:
• Waste centre: 450mm std

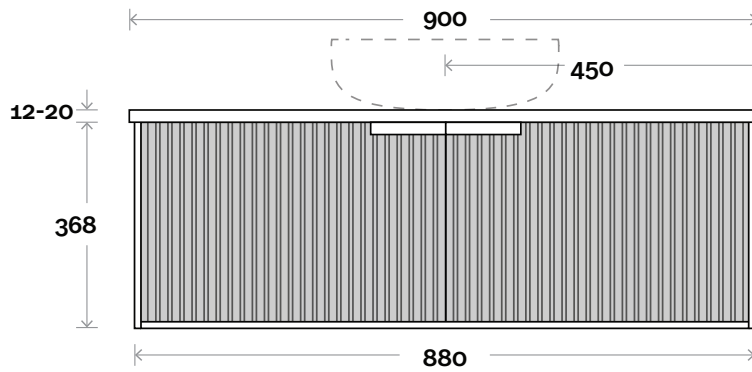


Plumbing allowance

Profile



Configuration




Bay

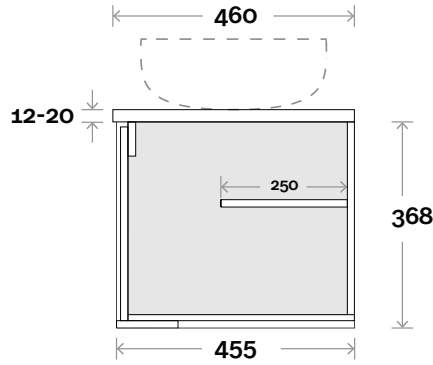
Bay 4 900mm off centre basin

Top Thickness
Caesarstone: 20mm
Dekton: 12mm
Symphony: 20mm

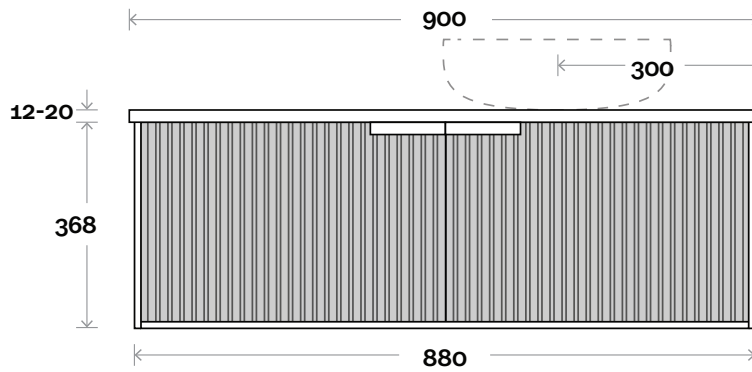
Note:
• Waste centre: 300mm std
• Left or Right hand Basin

 Plumbing allowance

Profile



Configuration




Bay

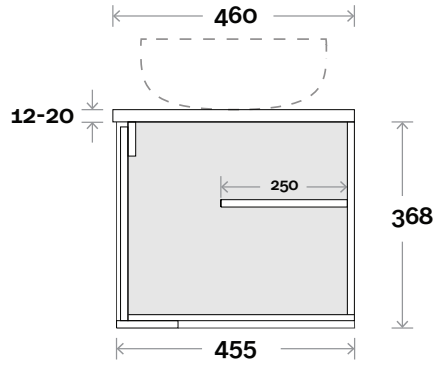
Bay 5 1200mm centre basin

Top Thickness
Caesarstone: 20mm
Dekton: 12mm
Symphony: 20mm

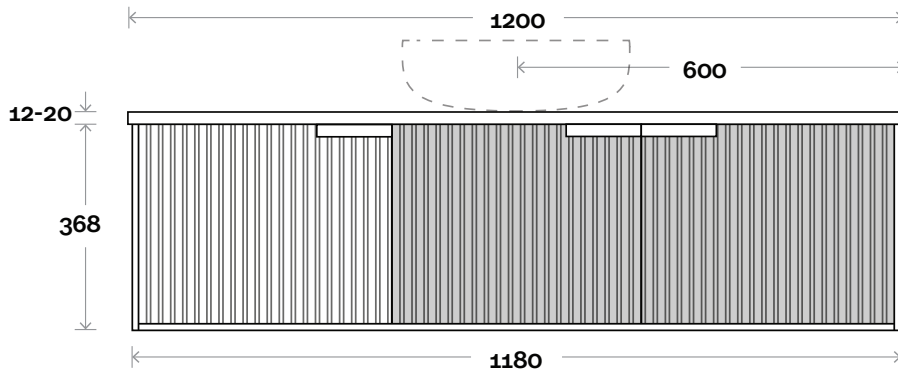
Note:
• Waste centre: 600mm std

 Plumbing allowance

Profile



Configuration



Bay

Bay 6 1200mm off centre basin

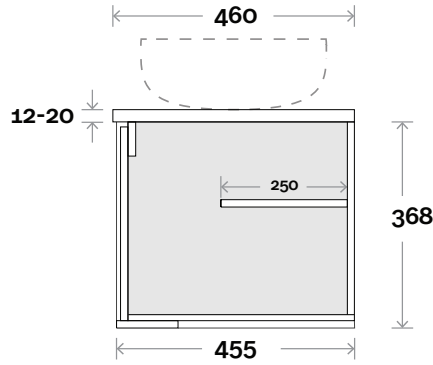
Top Thickness
Caesarstone: 20mm
Dekton: 12mm
Symphony: 20mm

Note:
• Waste centre: 300mm std
• Left or Right hand Basin

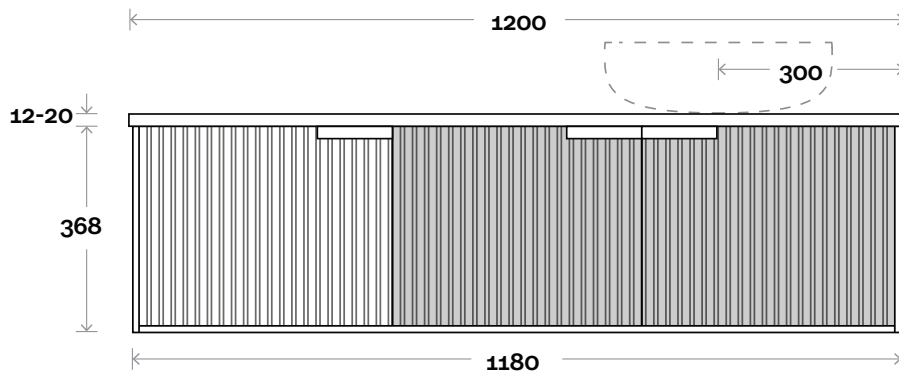


Plumbing allowance

Profile



Configuration




Bay

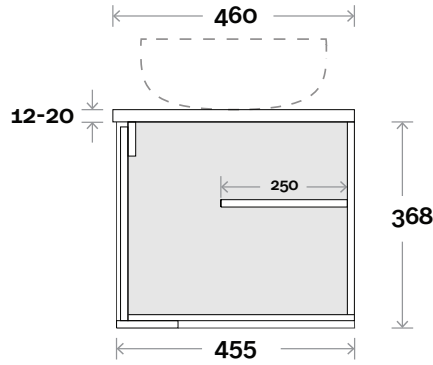
Bay 7 1500mm off centre basin

Top Thickness
Caesarstone: 20mm
Dekton: 12mm
Symphony: 20mm

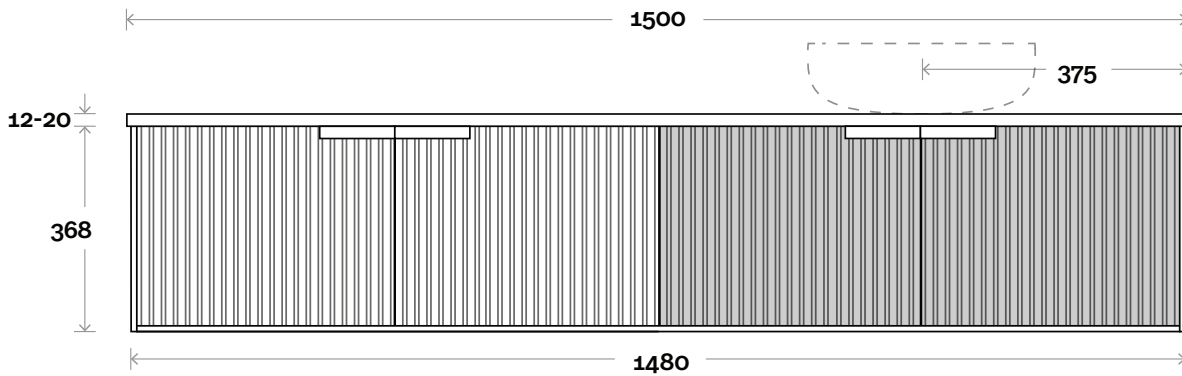
Note:
• Waste centre: 375mm std
• Left or Right hand Basin

 Plumbing allowance

Profile



Configuration




Bay

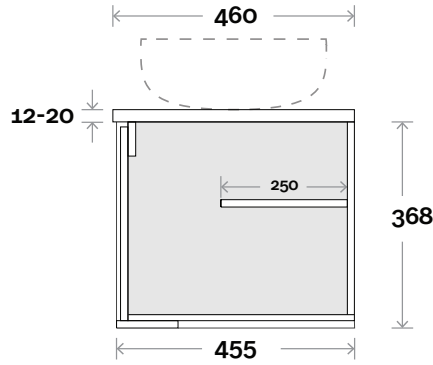
Bay 8 1500mm double basin

Top Thickness
Caesarstone: 20mm
Dekton: 12mm
Symphony: 20mm

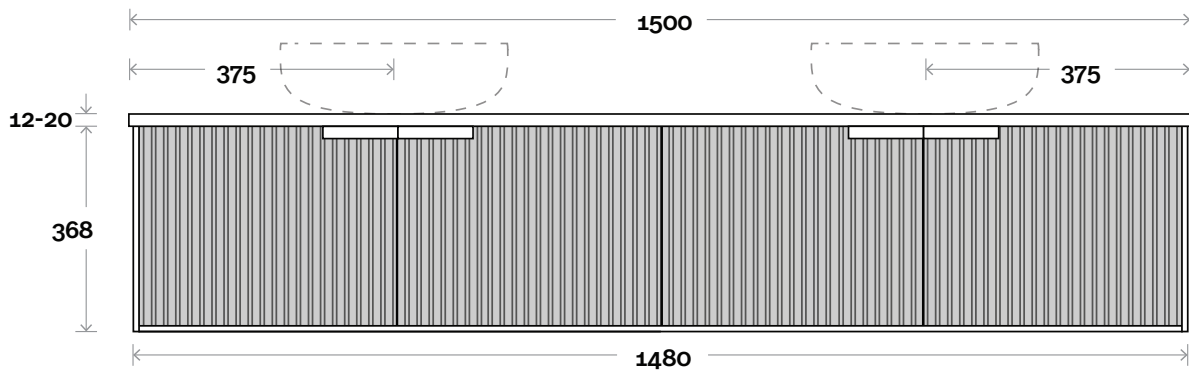
Note:
• Waste centre: 375mm std

 **Plumbing allowance**

Profile



Configuration




Bay

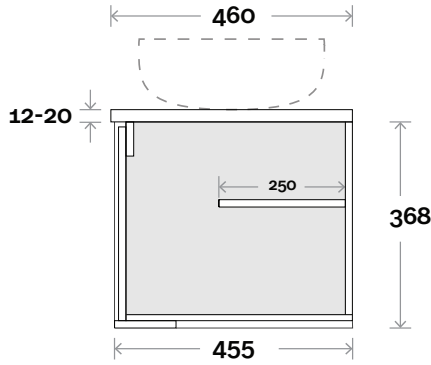
Bay 9 1800mm off centre basin

Top Thickness
Caesarstone: 20mm
Dekton: 12mm
Symphony: 20mm

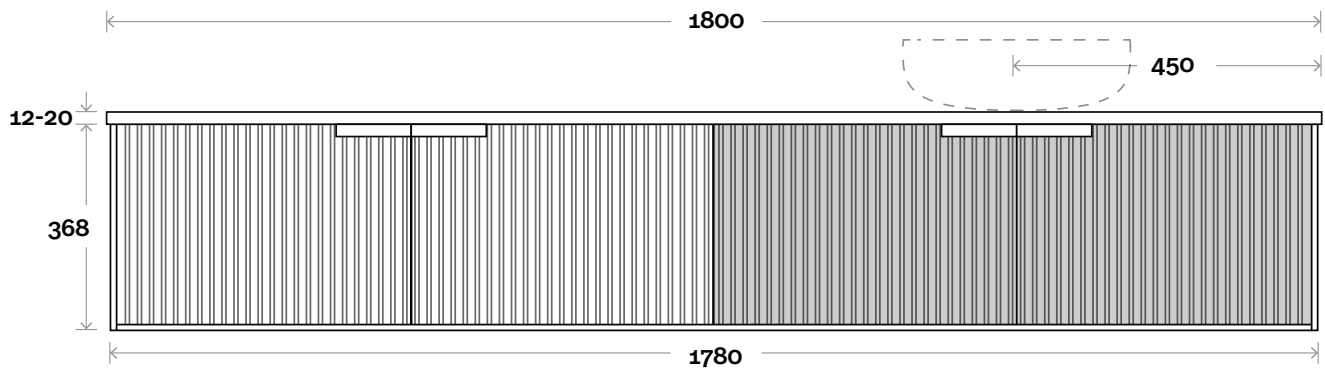
Note:
• Waste centre: 450mm std
• Left or Right hand Basin

 Plumbing allowance

Profile



Configuration




Bay

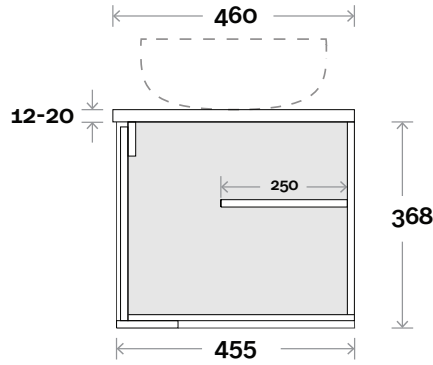
Bay 10 1800mm double basin

Top Thickness
Caesarstone: 20mm
Dekton: 12mm
Symphony: 20mm

Note:
• Waste centre: 450mm std

 **Plumbing allowance**

Profile



Configuration

