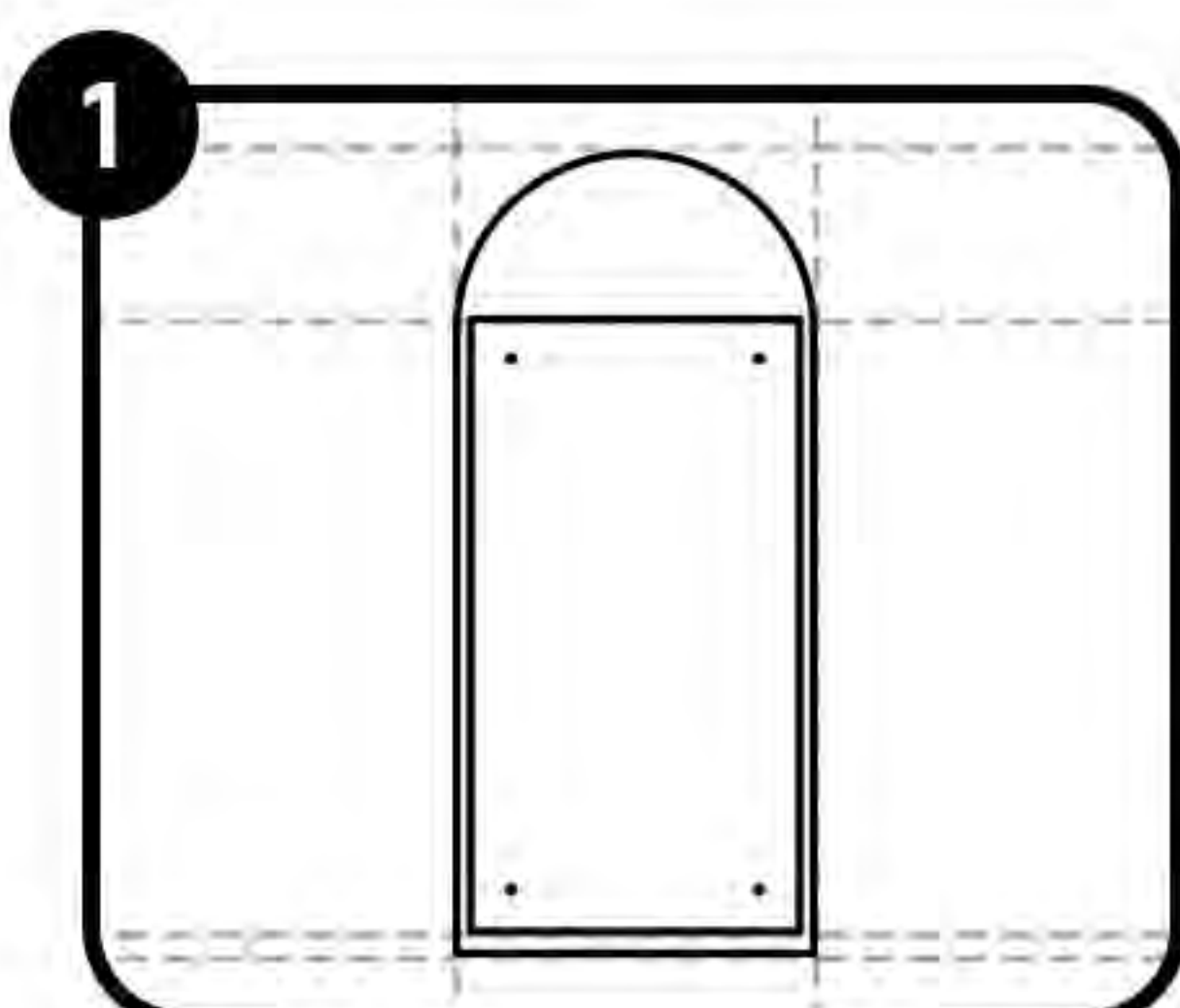


# SHAVING CABINET INSTALLATION GUIDE

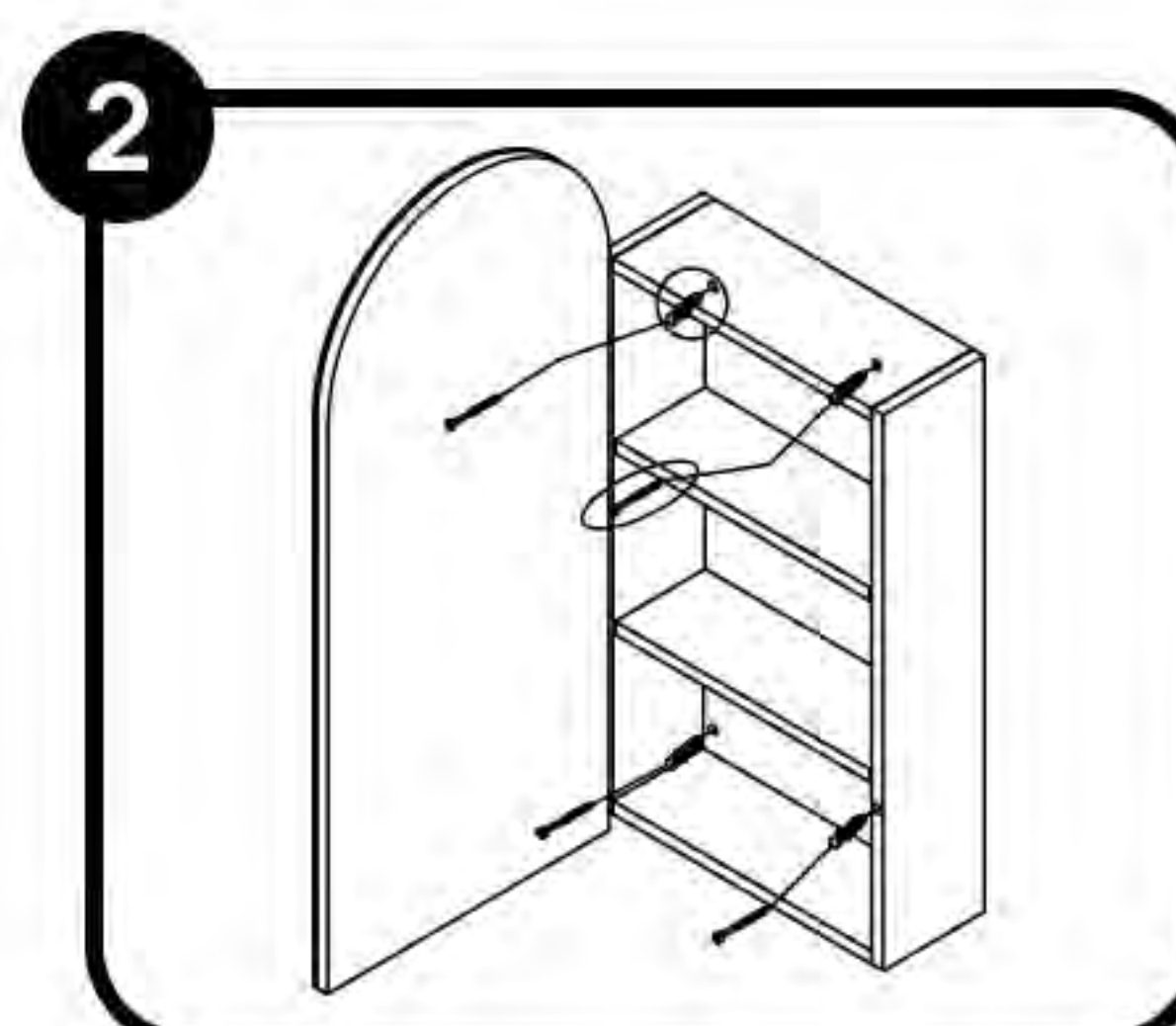
## PRE-INSTALLATION CHECK

- Please open and inspect your product upon delivery. The Blue Space must be notified of any faults, issues, or complaints with your Ingrain product within 24 hours of you receiving delivery.

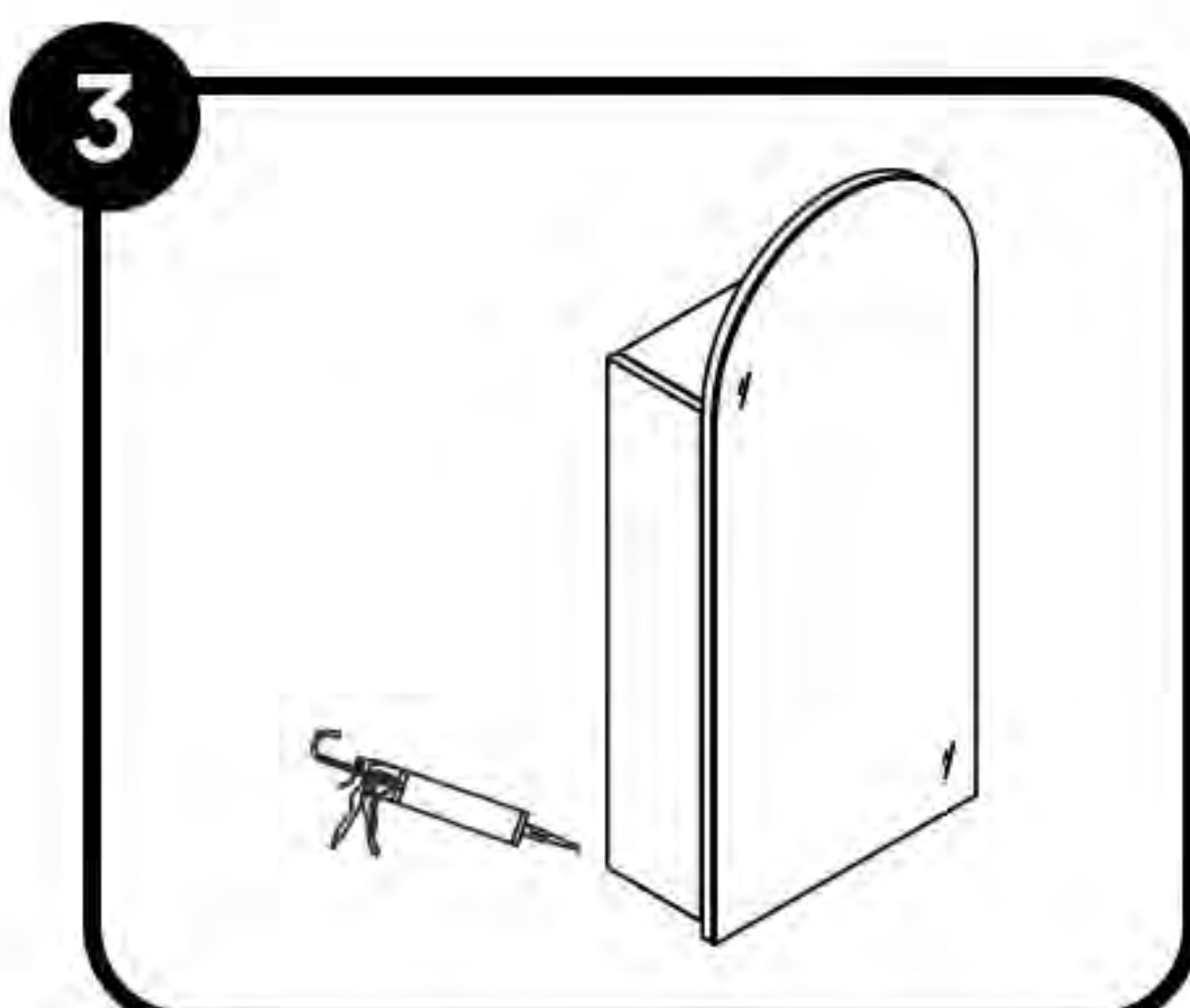
## CABINET INSTALLATION



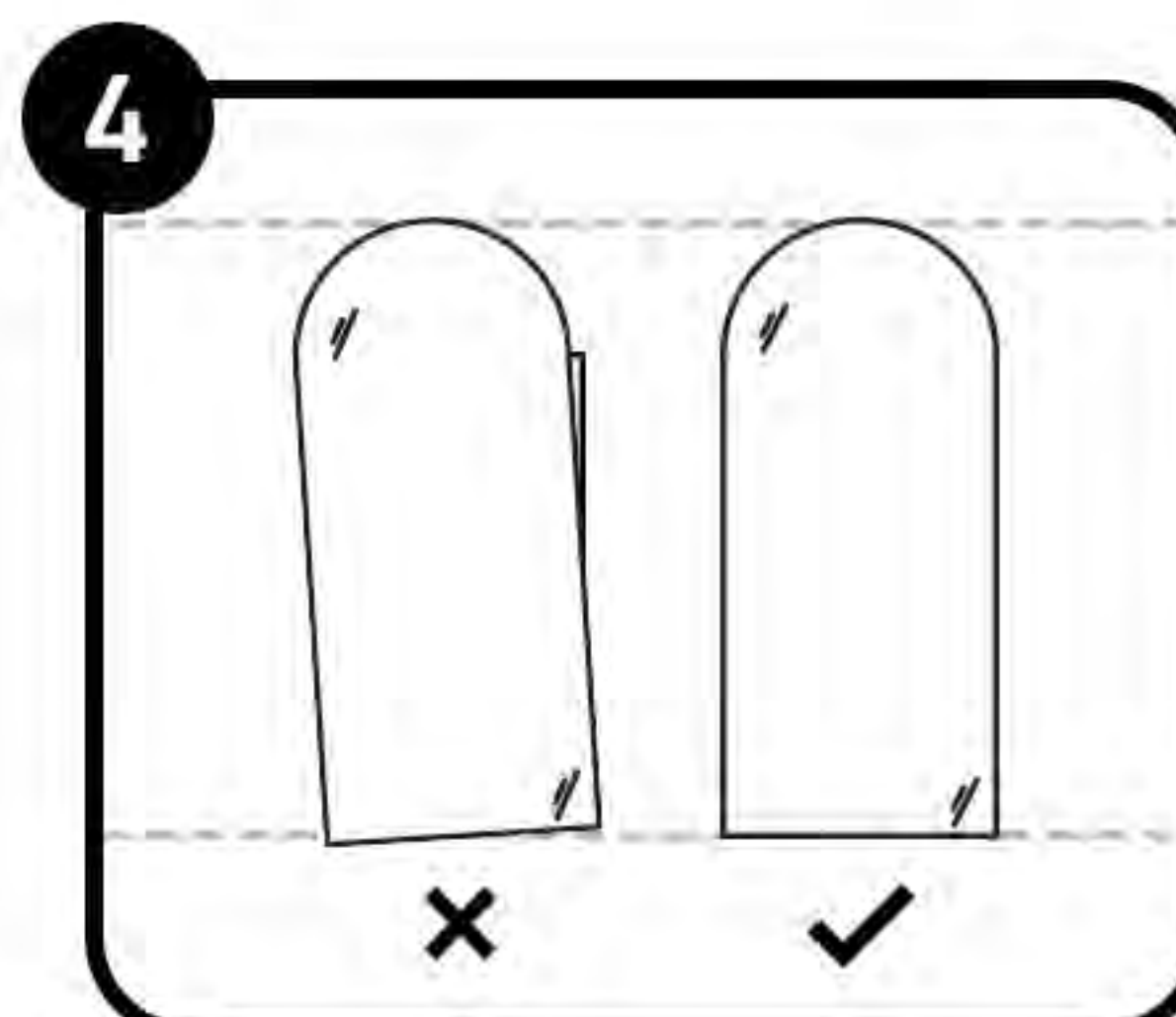
1 Secure the cabinet to the wall with screws that match the stud material and have a pan or counter sunk head. Position the cabinet accordingly.



2 Secure cabinet with a horizontal row of screws 100mm from top, maximum 300mm apart. The screws on the left and right edges of the cabinet should be within 100mm of each side.



3 Apply non-acidic silicone to all edges where cabinet meets the wall.



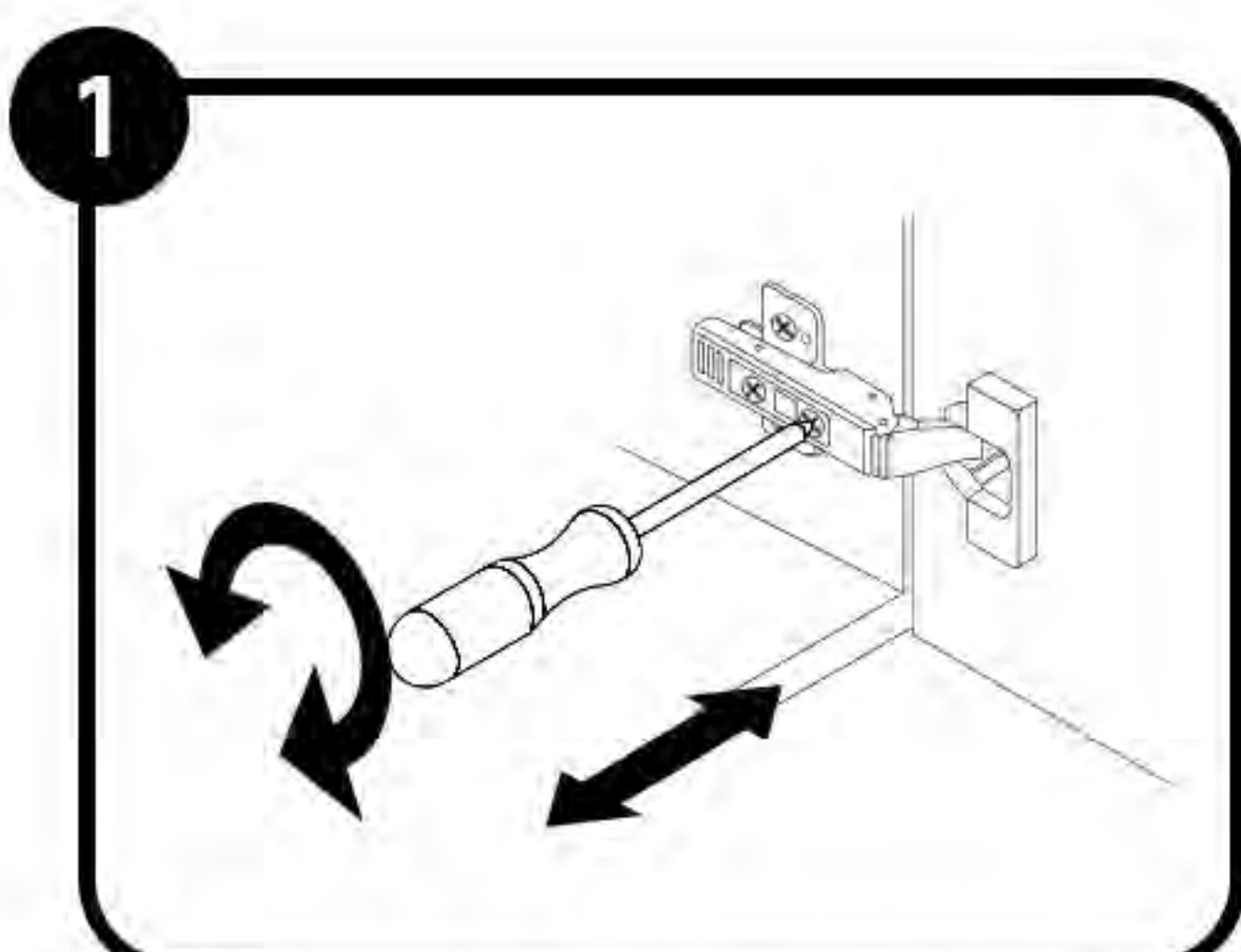
4 Make the necessary adjustments to the doors so that they are aligned correctly.



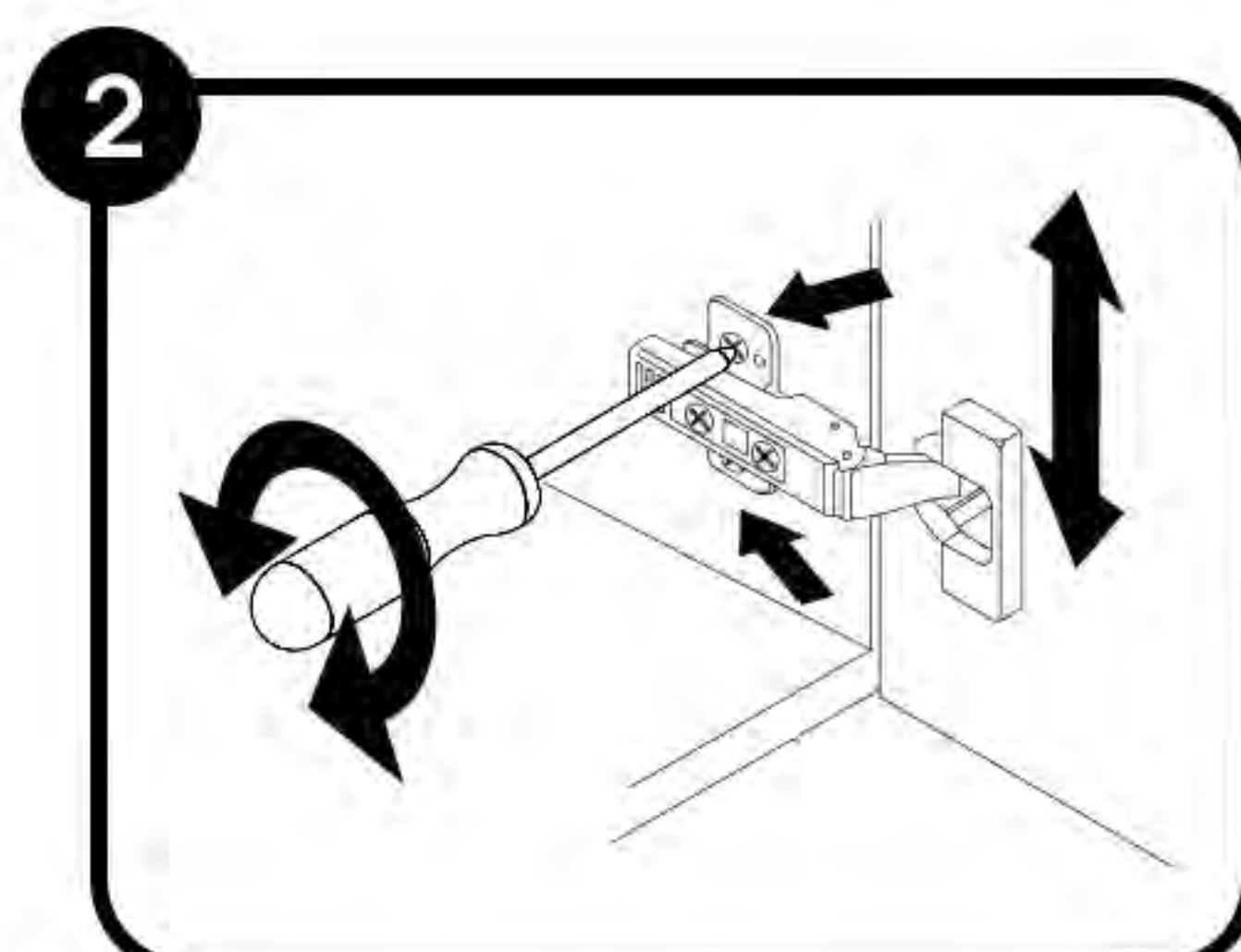
### NOTE:

The installer is responsible for ensuring that the cabinets are properly adjusted after installation. Any warranty claims will not be considered until this adjustment process is complete.

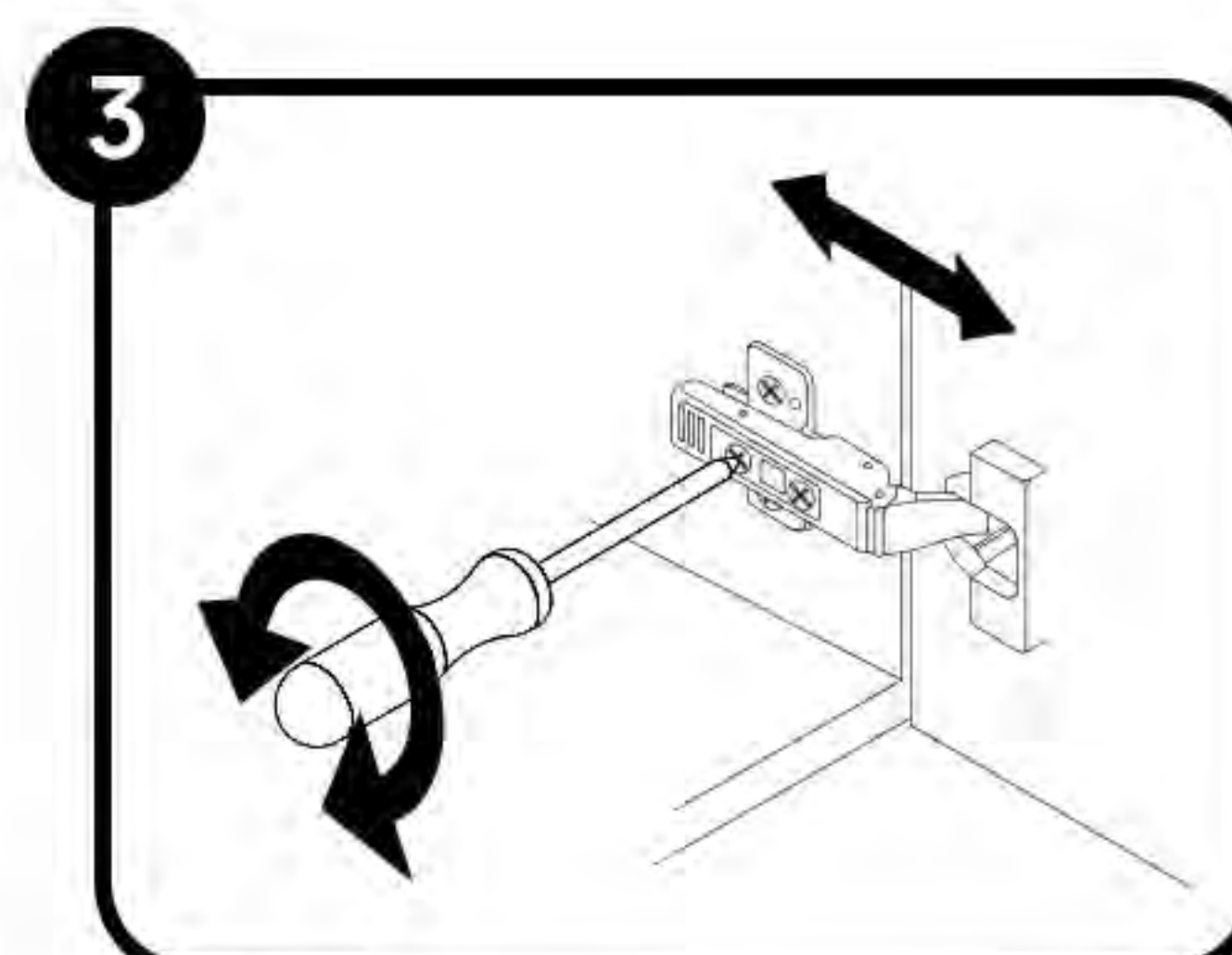
## ADJUSTMENT OF DOOR HINGES



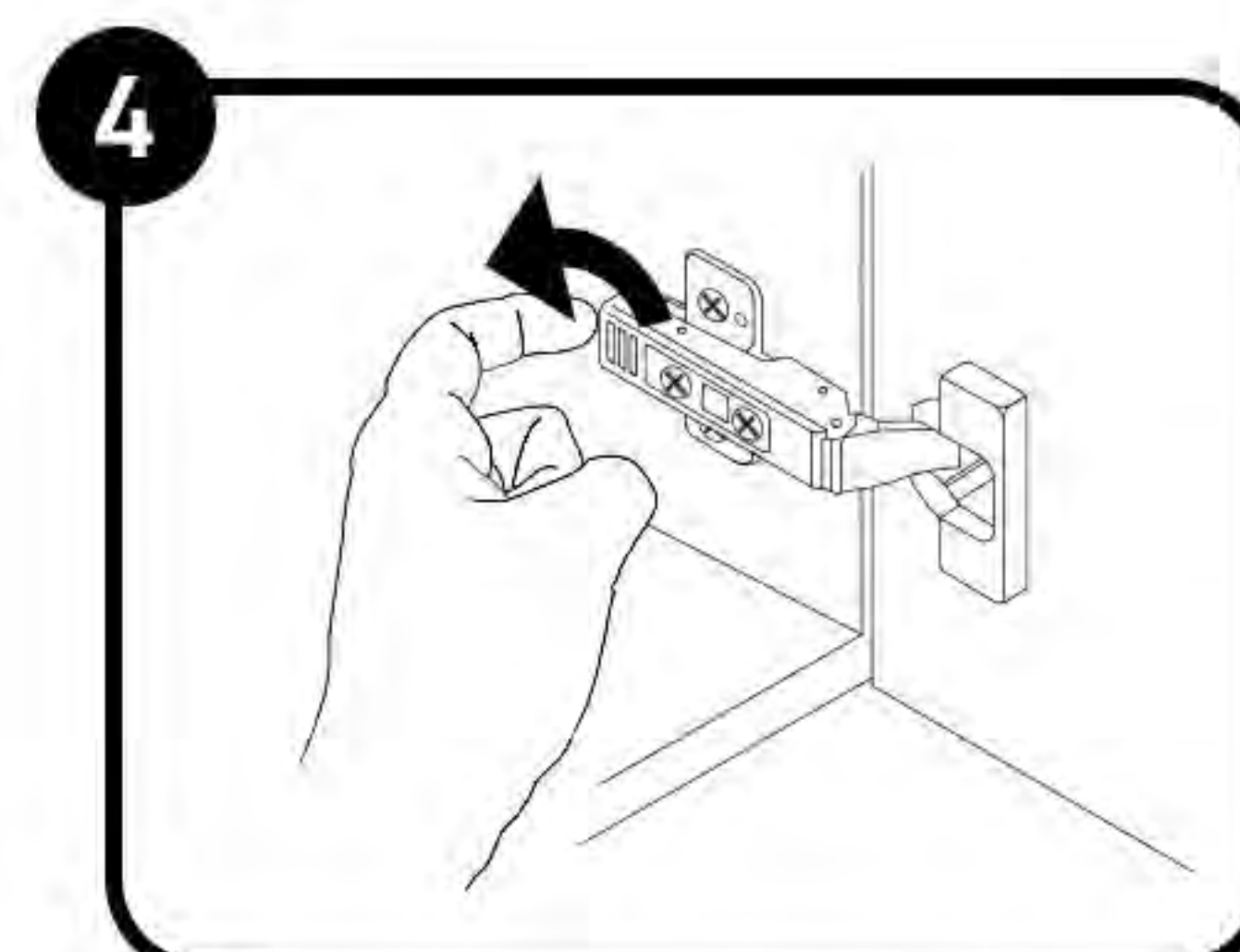
1 Use the front screw for left or right adjustment.



2 Loosen two bracket screws to slide door up or down. Tighten screws.



3 Use the back screw for in or out adjustment.



4 To remove door (if required) pull the clip at the back of each hinge.

If you need help caring for your products, don't hesitate to reach out to our team at The Blue Space. We're always happy to answer your questions. You can email us at [info@thebluespace.com.au](mailto:info@thebluespace.com.au)