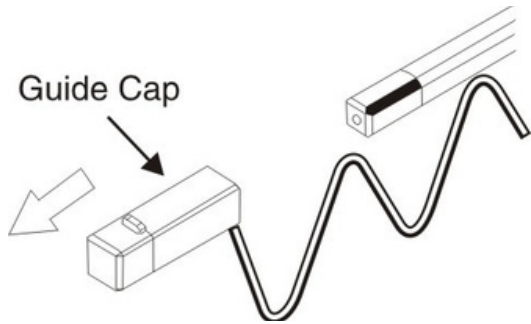
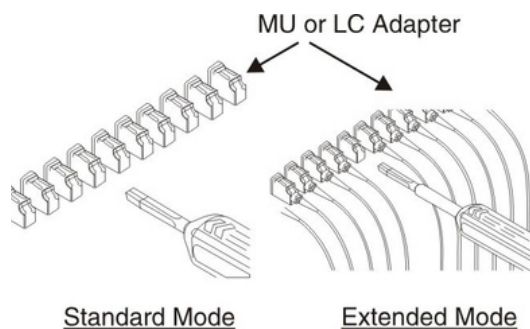


Bulkhead Connectors and Couplers



1 Remove Guide Cap from the tool.

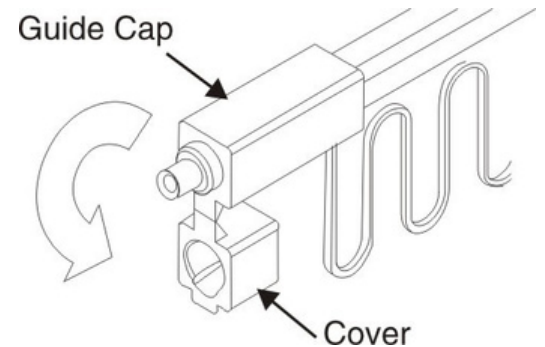


2 Insert tip of cleaner into MU/LC Adapter.

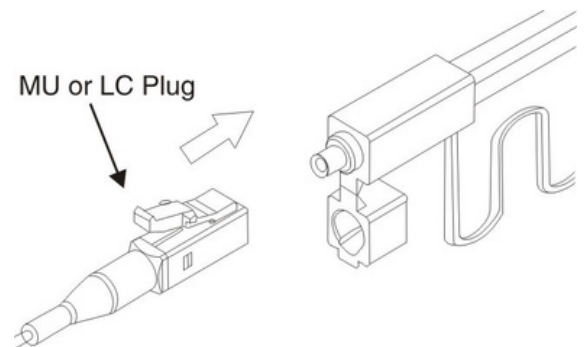


3 Push the Outer Shell to start cleaning the MU/LC connector end face. A "click" sound indicates end of cleaning process. Close the dust cover after use.

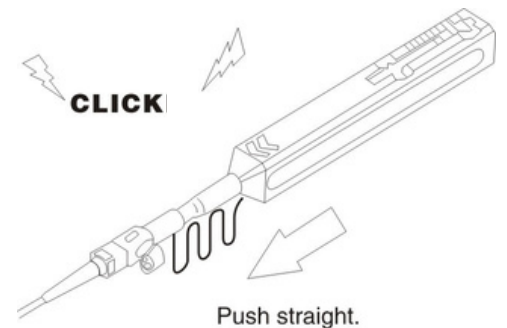
Fiber Connector Plugs



1 Open the dust cover on the Guide Cap.

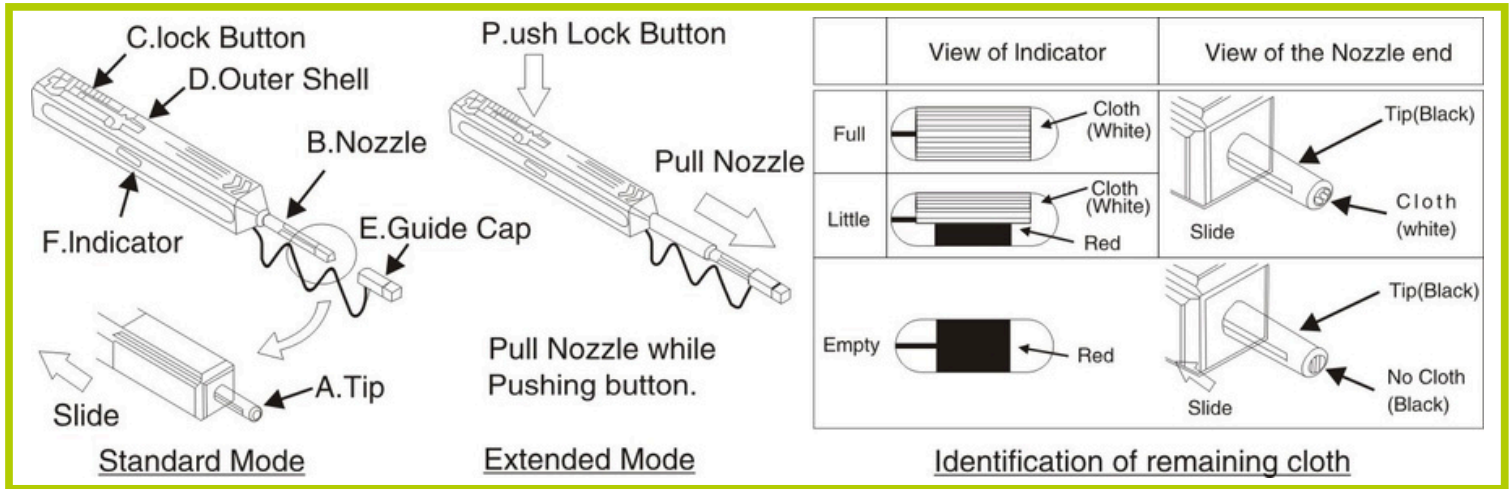


2 Insert MU/LC connector into the Guide Cap.



3 Push the Outer Shell to start cleaning the MU/LC connector end face. A "click" sound indicates end of cleaning process. Close the dust cover after use.

Device Construction



NO	Part Name	Function
A	Tip	Guides cleaning cloth to the optical connector end face
B	Nozzle	Guides the tool tip to the optical connector end face
C	Lock Button	Used to extend and contract tool nozzle
D	Outer Shell	Actuates the tool to clean the connector
E	Guide Cap	Acts as a dust cap or cleaning adapter for connector plug
F	Indicator	Provides indication of remaining cleaning cloth

⚠ Be careful not to actuate the trueCLEAN on an angle while inserting into the adapter. Do not use excessive force during insertion as this may cause damage to both the connector and the trueCLEAN. If pushing Outer Shell is inhibited, remove tool from adapter and ensure that there is no debris inhibiting the cleaning process.