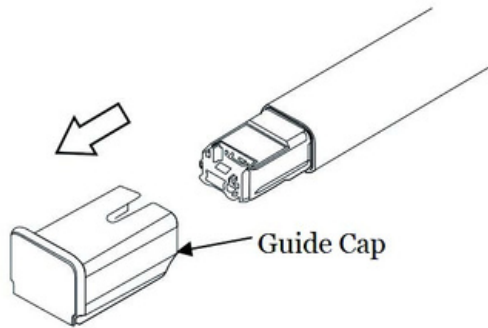
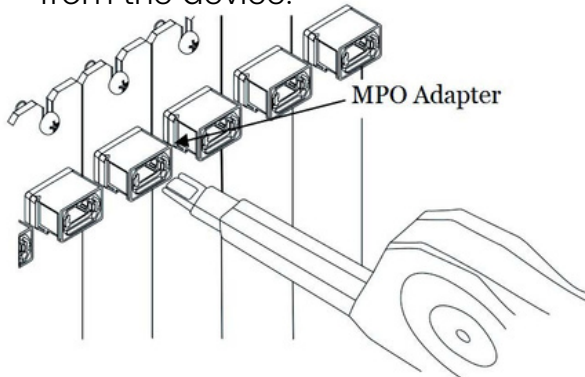


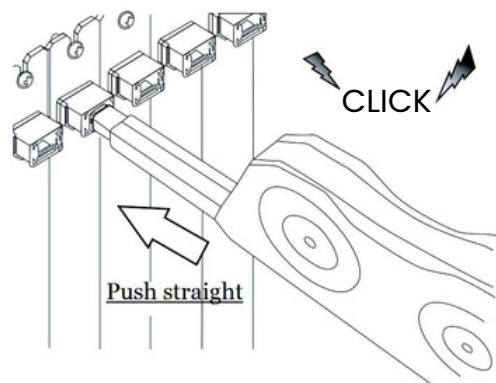
## Connector Inside Bulkhead Adapter



- 1 Remove Guide Cap from the device.

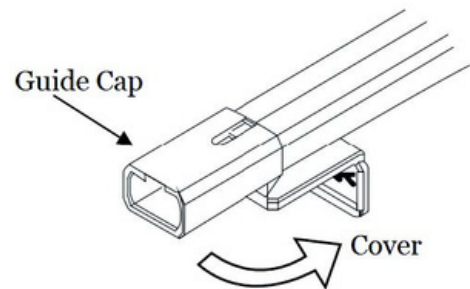


- 2 Insert tip of cleaner into MTP/MPO Adapter.

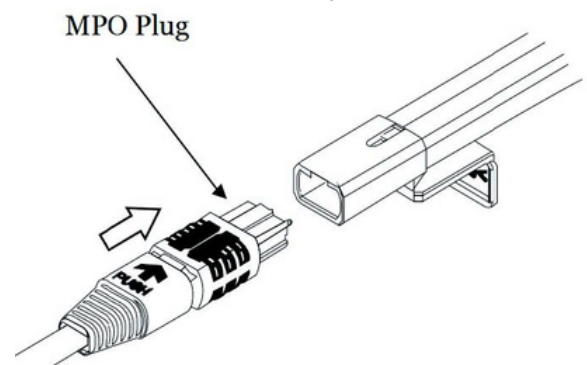


- 3 Push the Outer frame to initiate cleaning the MTP/MPO connector end face. An audible "click" sound indicates end of cleaning process. Close the cover after use.

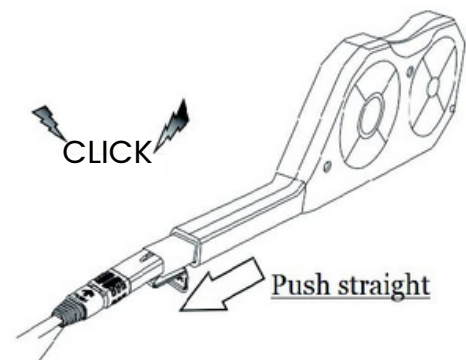
## Connector Patch Cables/Jumpers



- 1 Open the dust cover on the Guide Cap.

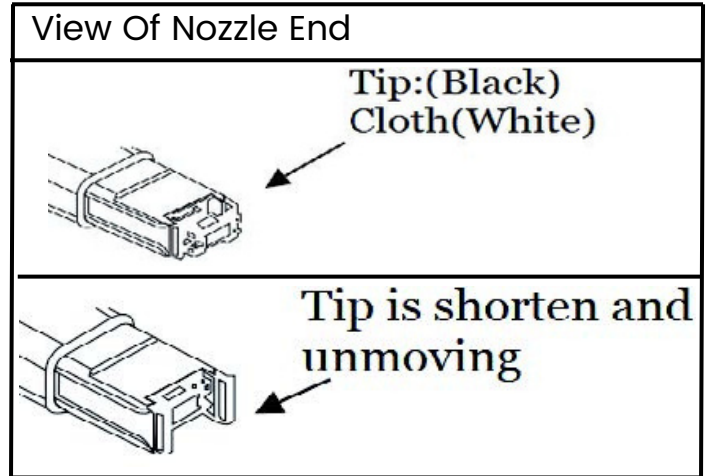
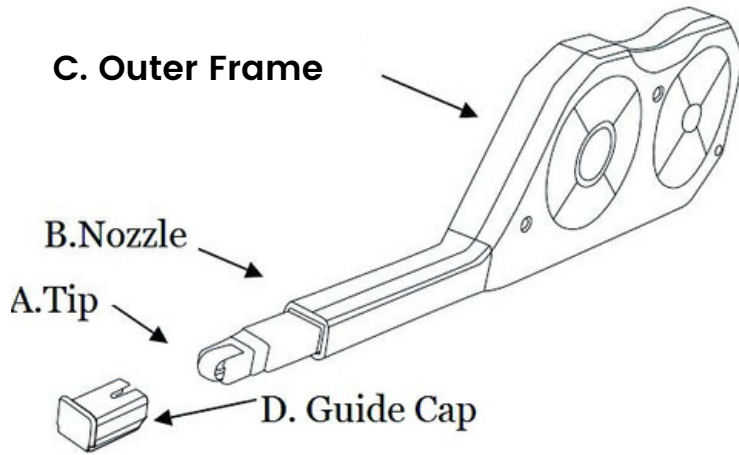


- 2 Insert MTP/MPO connector into the Guide Cap.



- 3 Push the Outer frame to initiate cleaning the MTP/MPO connector end face. An audible "click" sound indicates end of cleaning process. Close the cover after use.

## Device Construction



NO	Part Name	Function
A	Tip	Aligns the cleaning cloth to the connector end face when cleaning through the connector adapter
B	Neck	Allows the tip to reach connector adapters in patch panels
C	Outer Frame	Houses the cleaning cloth and push mechanism for cleaning the connectors and bulkhead adapters
D	Guide Cap	The Guide cap works as a dust cap and is used as the adapter to clean connectors on patch cable and jumpers

**⚠** Be careful not to slant the MTP/MPO click cleaner while inserting into the adapter. Do not overly exert force during insertion as this may cause damage to both the connector and the cleaner tip. If pushing outer frame is inhibited, remove cleaner from the connector and verify that there is no large debris inhibiting the cleaning process.