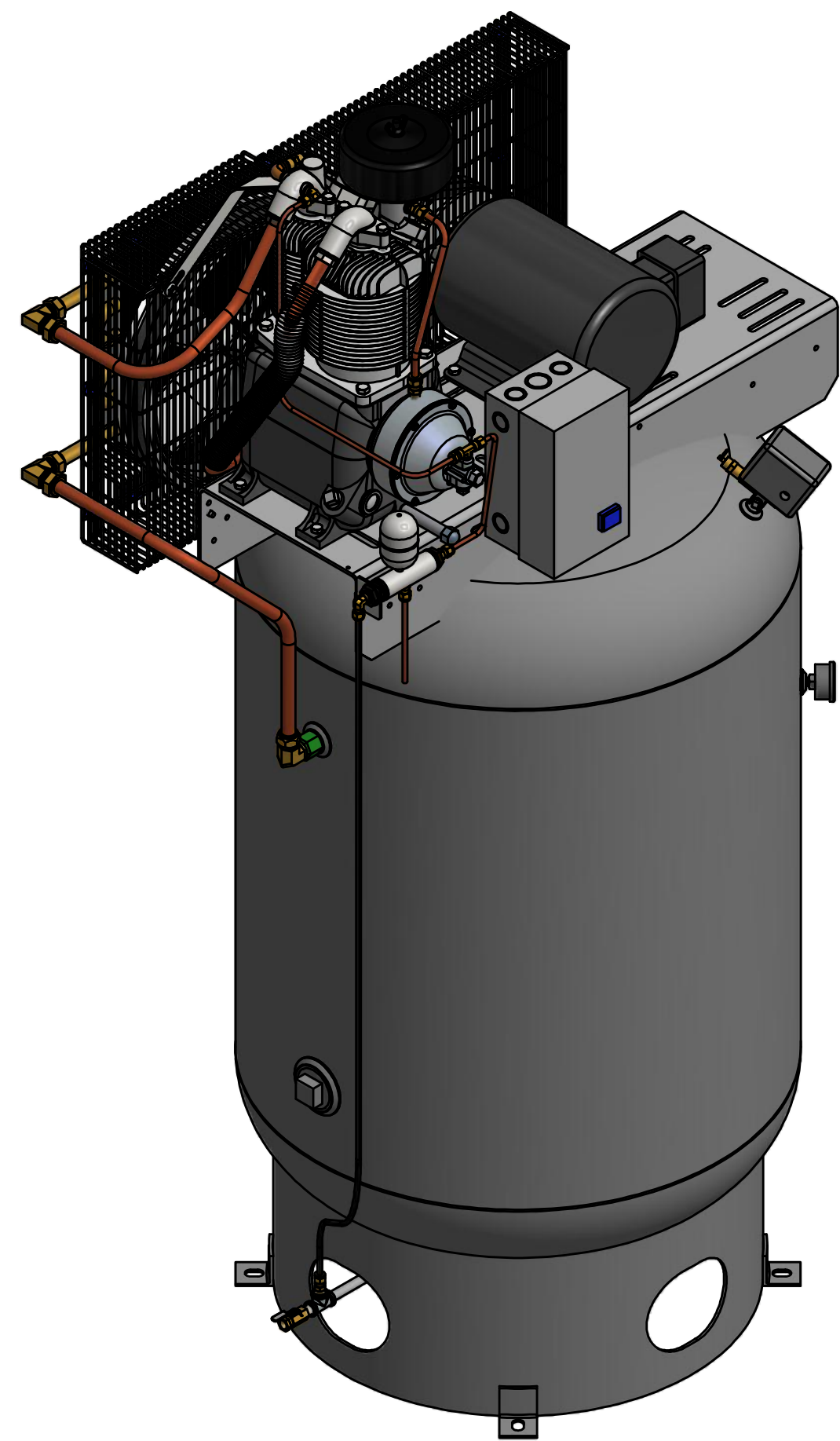
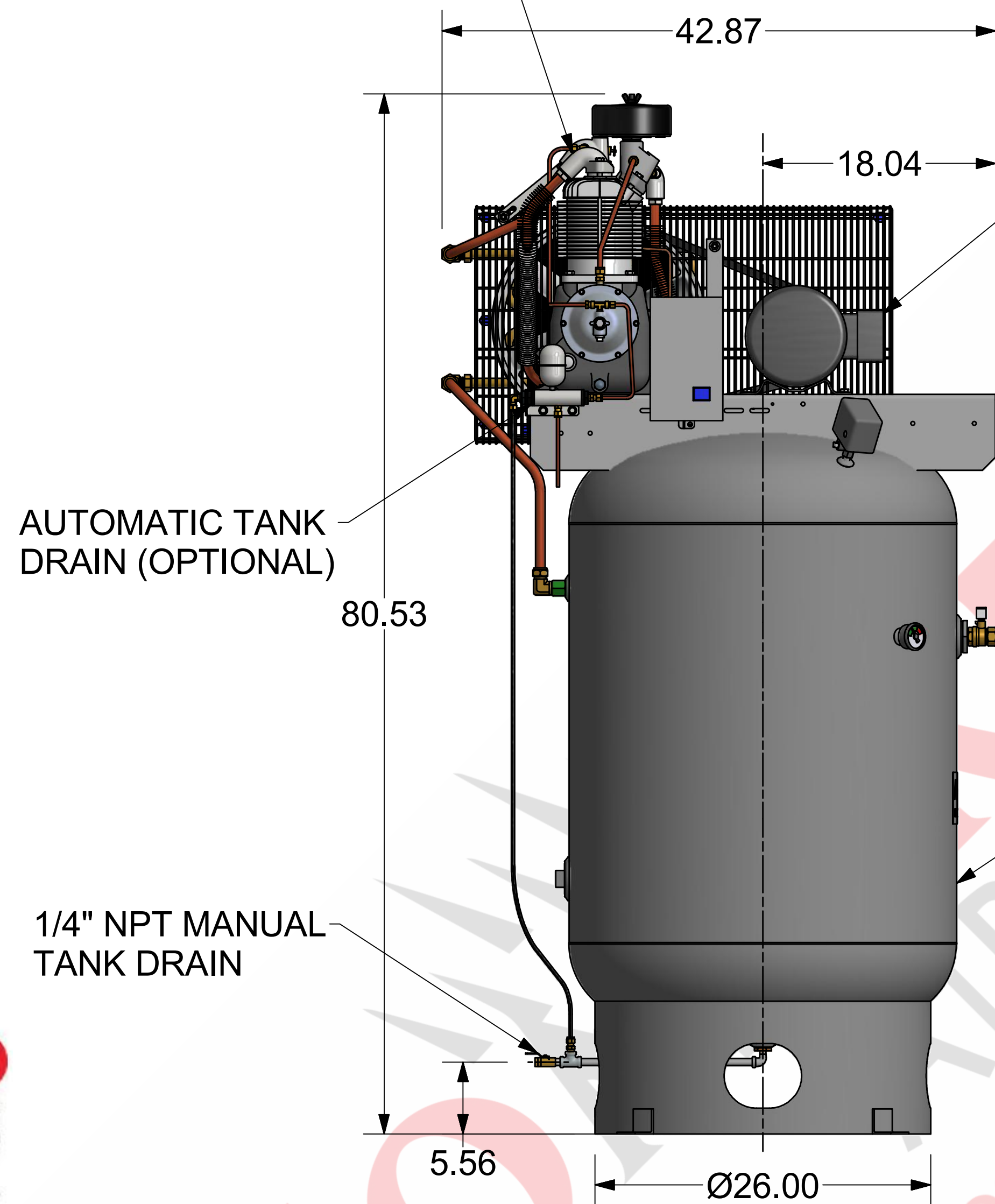


ZONE		REV	DESCRIPTION	DATE	DWN	CHK
		A	RELEASED PER ECN 1075951			



COMPRESSOR: R15



MOTOR: 3HP (VR3-12)
5HP (VR5-12)
7.5HP (VR7F-12)

STARTER (OPTIONAL)

PRESSURE SWITCH

AIR COOLED AFTERCOOLER (OPTIONAL)

ASME PRESSURE RELIEF VALVE

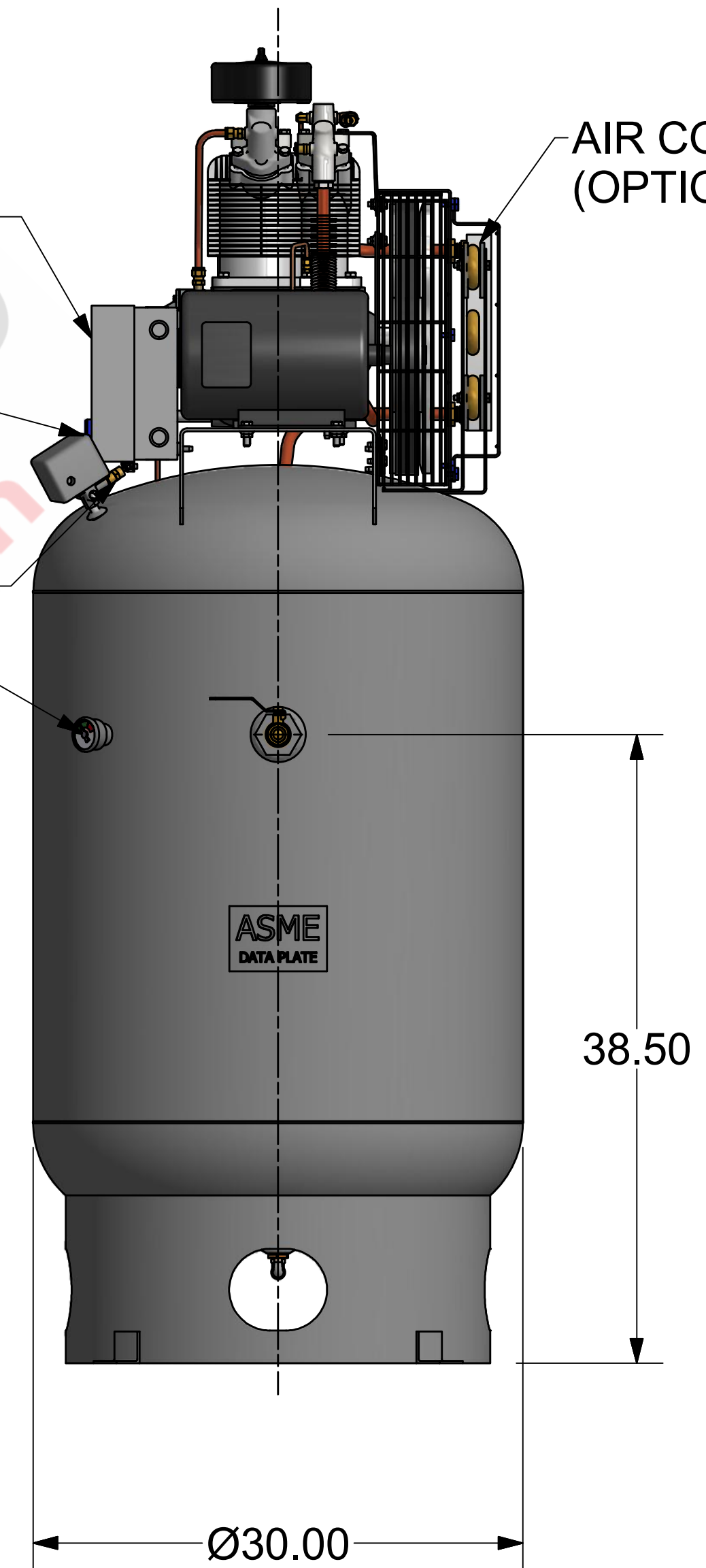
PRESSURE GAUGE

AUTOMATIC TANK DRAIN (OPTIONAL)

3/4" NPT VALVE

120 GALLON ASME AIR RECEIVER

1/4" NPT MANUAL TANK DRAIN



COMPRESSED
AIR ADVISORS
Inc.

Compressed Air Advisors, Inc.

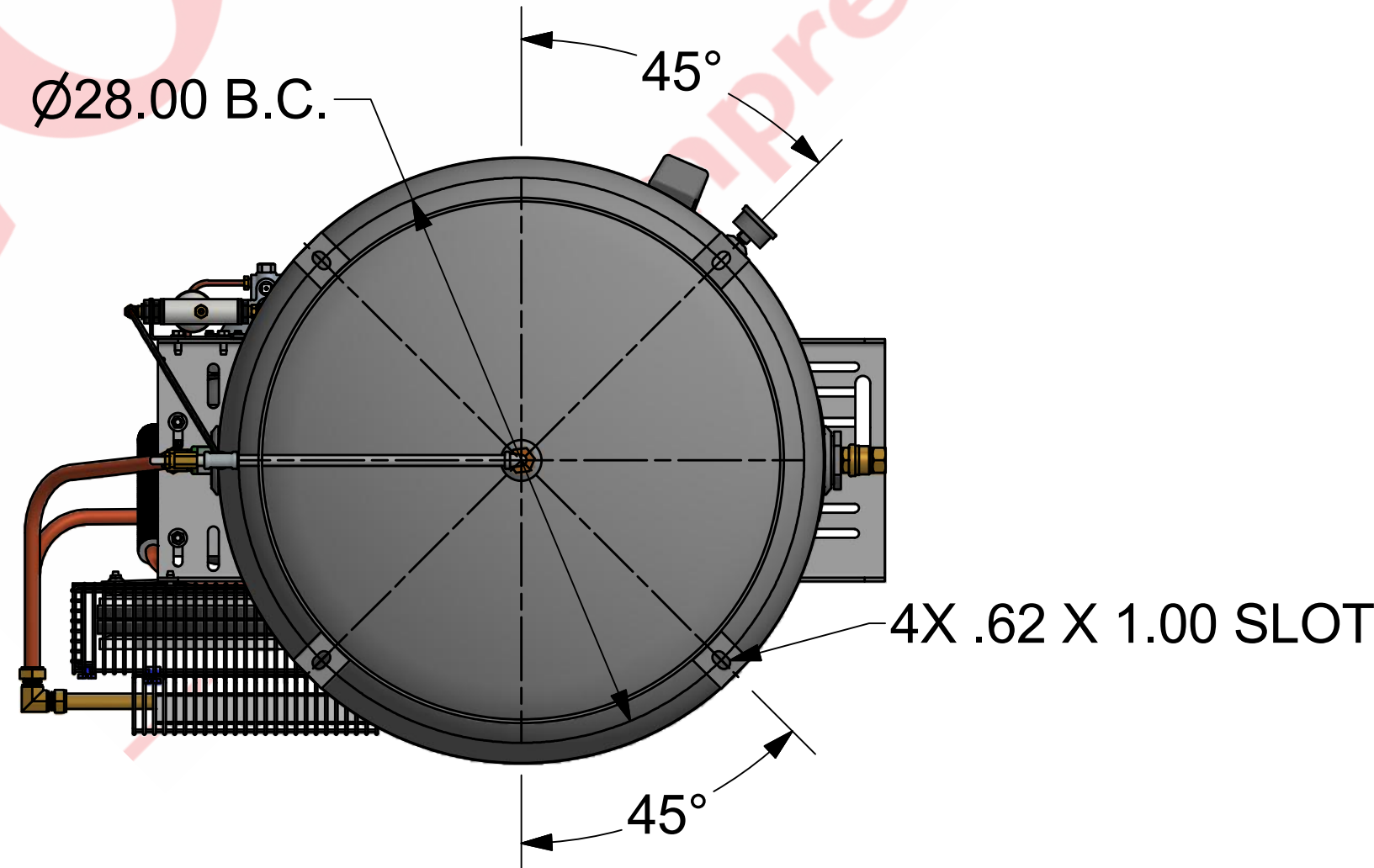
Phone: 877.247.2381

info@compressedairadvisors.com

www.compressedairadvisors.com

NOTES:

- DO NOT SCALE DRAWING.
- SPECIFICATIONS AND DIMENSIONS ARE SUBJECT TO CHANGE WITHOUT NOTICE OR OBLIGATION.
- ALL DIMENSIONS ARE IN INCHES.
- ADD 1.00" TO HEIGHT FOR VIBRATION ISOLATION OPTION.



FINISH OF CHAMFERS AND FILLETS TO CONFORM TO ROUGHEST ADJACENT AREA. SURFACE ROUGHNESS MAXIMUM PER ASME B46.1. FULL THREAD DEPTHS ARE MINIMUM.		CONFIDENTIAL - THE INFORMATION CONTAINED IN THIS DOCUMENT IS THE PROPERTY OF GARDNER DENVER, INC. IT IS NOT FOR PUBLIC DISCLOSURE. POSSESSION OF THE INFORMATION DOES NOT CONVEY ANY RIGHT TO LOAN, SELL OR DISCLOSE THE INFORMATION. UNAUTHORIZED REPRODUCTION OR USE OF THE INFORMATION IS PROHIBITED. THIS DOCUMENT IS TO BE RETURNED TO GARDNER DENVER, INC. UPON THE COMPLETION OF THE PURPOSE FOR WHICH IT IS LOANED OR UPON REQUEST.	
UNLESS OTHERWISE SPECIFIED DIMENSIONS ARE IN INCHES		DIMENSIONING AND TOLERANCING PER ASME Y14.5-2009 THREADS PER ASME B1.1 GAGING SYSTEM 21 U.O.S., ANSI B1.20.1 & B1.20.3	
TOL. ON DECIMALS: .X = ± .05 TOL. ON DECIMALS: .XX = ± .02 TOL. ON DECIMALS: .XXX = ± AS SPECIFIED TOL. ON ANGLES: ± 0°-30'		HEAT TREATMENT	ENG. REF:
THIRD ANGLE PROJECTION		TITLE OUTLINE-BARE UNIT	
DWN BY KWT 8/14/2013 CKD BY DA 8/14/2013		SIZE D DA	DWG NO. 326CAS800
SCALE 1/8		REV A	
SHEET 1 OF 1			