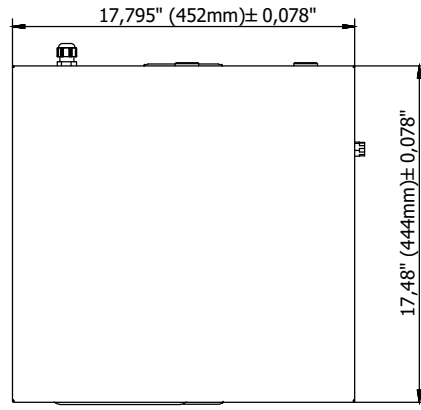
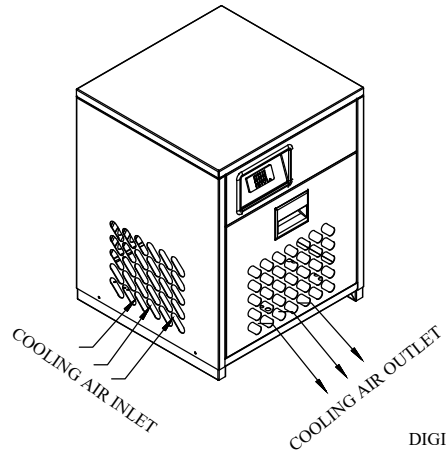
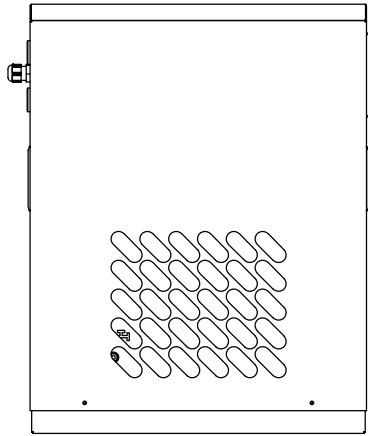


REVİZYON / REVISIONS			
REV.	AÇIKLAMA / DESCRIPTION	TARİH / DATE	REV. EDEN / REVIZED BY

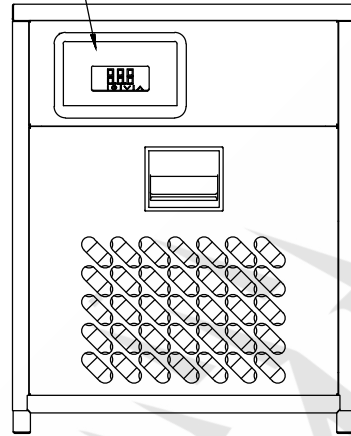


TOP VIEW

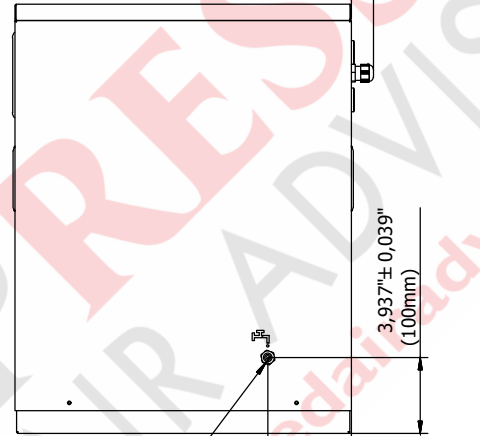


LEFT VIEW

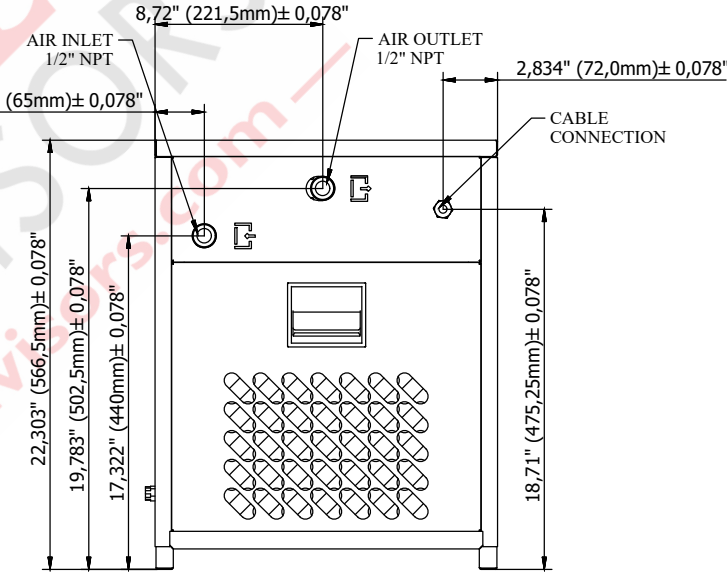
DIGITAL CONTROLLER



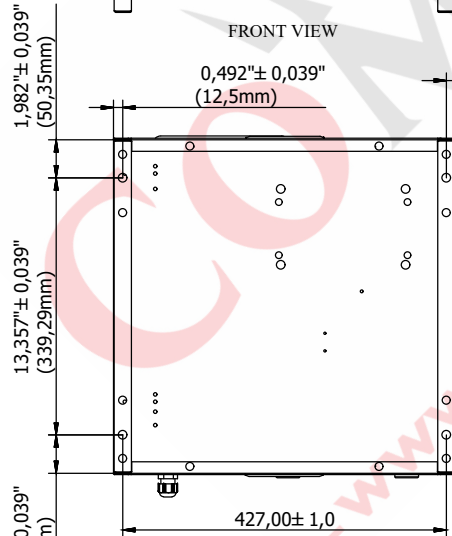
FRONT VIEW



RIGHT VIEW



BACK VIEW



BOTTOM VIEW

0,492" ± 0,039" DRAIN (12,5mm) 1/4" NPT

UNLESS OTHERWISE SPECIFIED DIMENSION ARE MILLIMETERS AND TOLERANCES ON DIMENSIONS ARE DECIMALS
X: ±1.5
XX: ±0.5
XXX: ±0.25

Name		Date	Signature	DRAWING NO	Rev.
Drawn by	M.Refik BÜYÜKOĞLAN	18.07.2019			
Controlled by	Özden DELİGÖZ	18.07.2019			
Approved by	Burak ÖZTÜRK	18.07.2019		1012283_ID	Page 0/0
Scale	1:1	DRYTEC NAME			
SDE-US-10					

