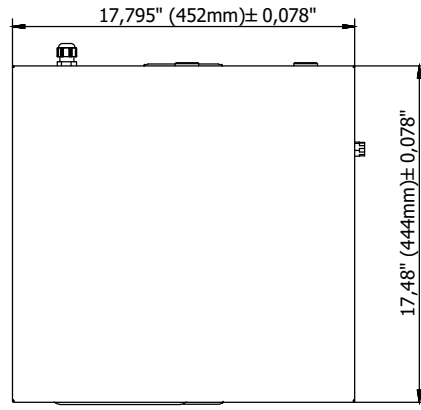
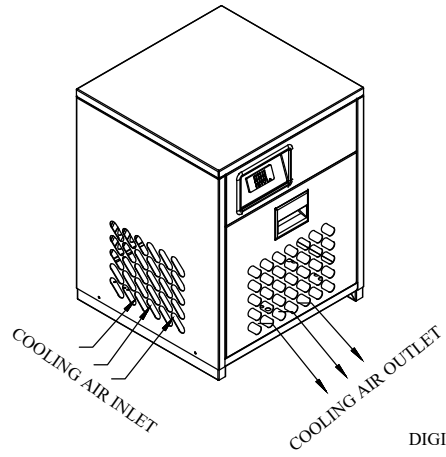
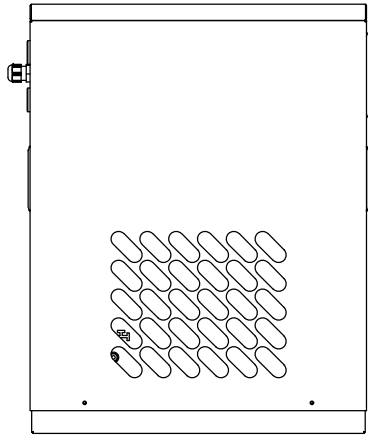


REVİZYON / REVISIONS			
REV.	AÇIKLAMA / DESCRIPTION	TARİH / DATE	REV. EDEN / REVIZED BY

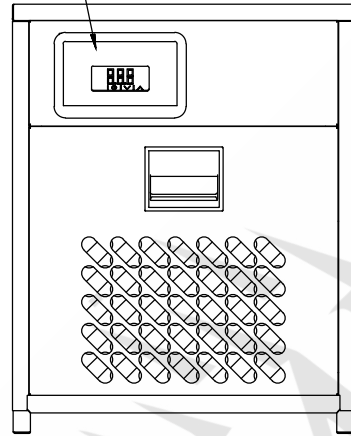


TOP VIEW

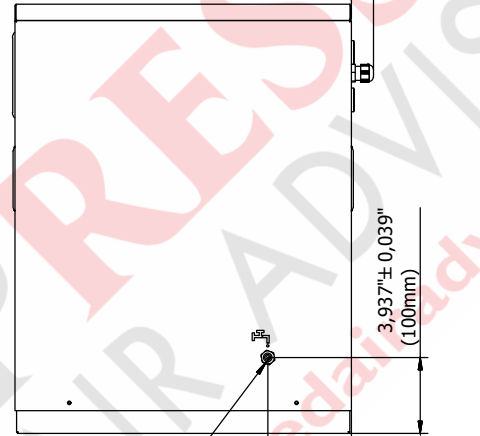


LEFT VIEW

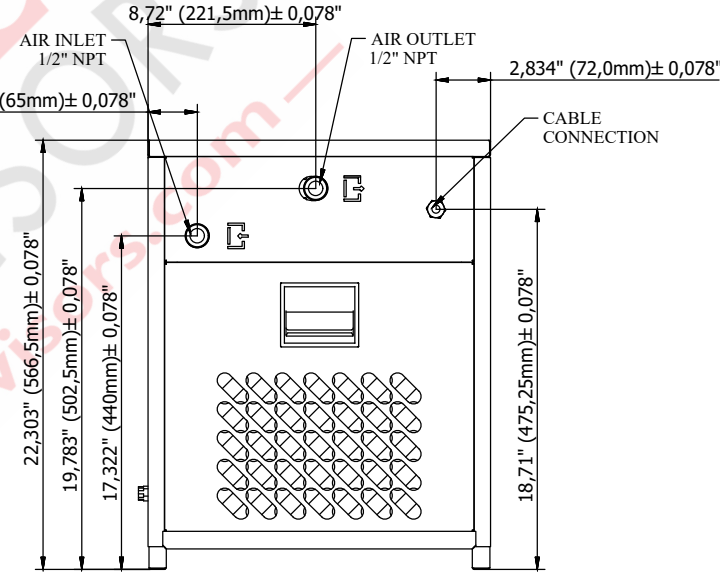
DIGITAL CONTROLLER



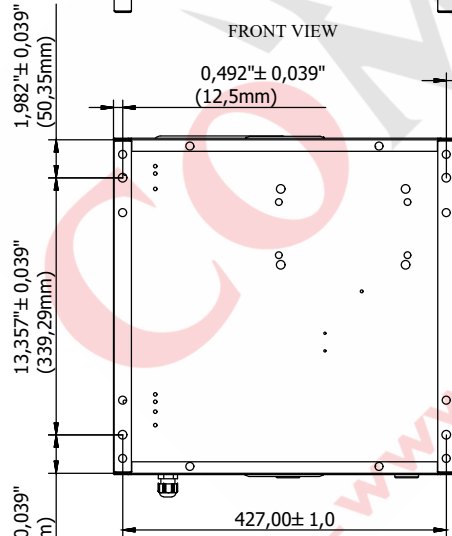
FRONT VIEW



RIGHT VIEW



BACK VIEW



BOTTOM VIEW

Name		Date	Signature		DRAWING NO	Rev.
Drawn by	M.Refik BÜYÜKOĞLAN	18.07.2019				
Controlled by	Özden DELİGÖZ	18.07.2019				Page
Approved by	Burak ÖZTÜRK	18.07.2019				0/0
Scale	1:1	DRYTEC NAME				
		SDE-US-25			1011819_ID	

UNLESS OTHERWISE SPECIFIED  
DIMENSION ARE MILLIMETERS  
AND TOLERANCES ON  
DIMENSIONS ARE DECIMALS  
X:±1.5  
XX:±0.5  
XXX:±0.25