

**CHAMPION**

**R-SERIES**

Air Compressors & Units

# R-15 PARTS LIST MANUAL

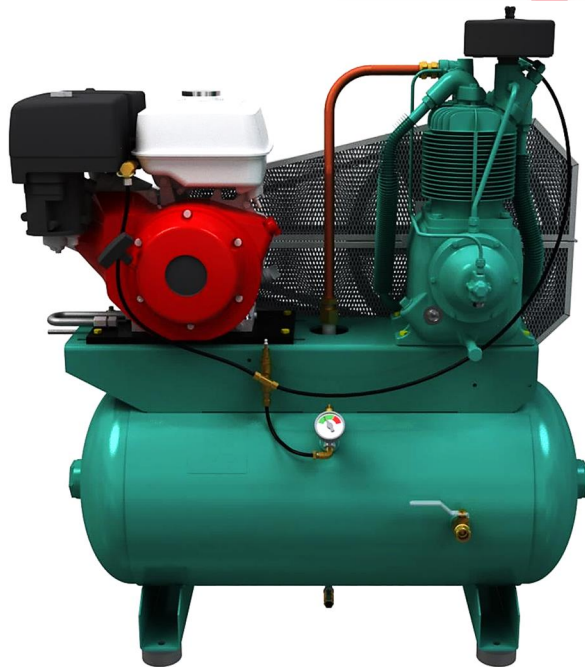
**COMPRESSED**  
AIR ADVISORS  
Inc.

Compressed Air Advisors, Inc.

Phone: 877.247.2381

[info@compressedairadvisors.com](mailto:info@compressedairadvisors.com)

[www.compressedairadvisors.com](http://www.compressedairadvisors.com)



**WARNING**

REFER TO THE R-SERIES OPERATION & SERVICE MANUAL FOR IMPORTANT SAFETY INFORMATION. READ, UNDERSTAND AND RETAIN ALL INSTRUCTIONS BEFORE OPERATING OR SERVICING THIS EQUIPMENT TO PREVENT INJURY OR EQUIPMENT DAMAGE.

## **MAINTAIN COMPRESSOR RELIABILITY AND PERFORMANCE WITH GENUINE CHAMPION® COMPRESSOR PARTS AND SUPPORT SERVICES**

Champion® Compressor genuine parts, manufactured to design tolerances, are developed for optimum dependability . specifically for Champion compressor systems. Design and material innovations are the result of years of experience with hundreds of different compressor applications. Reliability in materials and quality assurance are incorporated in our genuine replacement parts.

Your authorized Champion Compressor distributor offers all the backup you need. A worldwide network of authorized distributors provides the finest product support in the air compressor industry.

Your authorized distributor can support your Champion air compressor with these services:

1. Trained parts specialists to assist you in selecting the correct replacement parts.
2. A full line of factory tested CHAMPLUBi compressor lubricants specifically formulated for use in Champion compressors.
3. Repair and maintenance kits designed with the necessary parts to simplify servicing your compressor.

Authorized distributor service technicians are factory trained and skilled in compressor maintenance and repair. They are ready to respond and assist you by providing fast, expert maintenance and repair services.

To Contact Champion or locate your local distributor:

Visit: [www.championpneumatic.com](http://www.championpneumatic.com)

Or

Call: (888)436-5499

### **INSTRUCTIONS FOR ORDERING REPAIR PARTS**

When ordering parts, specify Compressor MODEL, HORSEPOWER and SERIAL NUMBER (see nameplate on unit). All orders for Parts should be placed with the nearest authorized distributor.

Order by part number and description. Reference numbers are for your convenience only.

# Table of Contents

Section 1 – General .....	5
Dimensions.....	5
Specifications .....	5
Performance.....	5
Section 2 – Compressor .....	6
Crankcase Group .....	6
Crankshaft Group .....	7
Centrifugal Unloader Group.....	8
Piston/Rod Group – Low Pressure.....	10
Piston/Rod Group – High Pressure.....	12
Cylinder Group – Standard.....	14
Cylinder Group – with Head Unloaders (optional).....	16
Cylinder Group – Engine Driven .....	18
Tubing and Control Group – Standard.....	20
Tubing and Control Group – with Head Unloaders (optional).....	22
Tubing and Control Group – Engine Driven .....	24
High Temperature Switch (optional) .....	26
Low Oil Shutdown Control (optional) .....	27
Section 3 – Electric Packages .....	28
Vertical Package .....	28
Horizontal Package – Simplex .....	30
Electric Motor List .....	32
Tank Drain – Manual.....	32
Tank Drain – Electric (optional).....	33
Control Group – Start/Stop.....	34
Control Group – Dual Control (optional) .....	36
Power Transmission.....	36
Belt Guard – Standard .....	38
Belt Guard – with Aftercooler (optional) .....	39
Discharge Piping – Vertical, Standard.....	40
Discharge Piping – Vertical, with Aftercooler (optional) .....	42
Discharge Piping – Horizontal, Standard.....	44
Discharge Piping – Horizontal, with Aftercooler (optional) .....	46

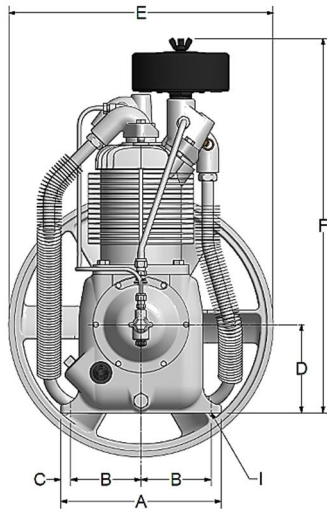
## Table of Contents

Section 4 – Engine Packages .....	48
Horizontal Package – Honda Gas Engine .....	48
Horizontal Package – Kohler Gas Engine .....	50
Horizontal Package – Kohler Diesel Engine.....	52
Horizontal Package – Yanmar Diesel Engine.....	54
Low Profile Package – Honda Gas Engine.....	56
Low Profile Package – Kohler Gas Engine.....	58
Ball Valve Group – Low Profile Gas .....	60
Control Group – Low Profile Gas .....	61
Control Group – Horizontal Gas .....	62
Control Group – Horizontal Diesel.....	63
Gauge / Relief Valve – Horizontal.....	64
Tank Drain – Manual.....	65
Power Transmission.....	66
Belt Guard – Gas Engine .....	67
Belt Guard – Diesel Engine.....	68
Discharge Piping – Gas Engine .....	69
Discharge Piping – Diesel Engine.....	70
Remote Mount Choke and Key switch – Kohler 14hp (optional).....	71
Notes .....	72

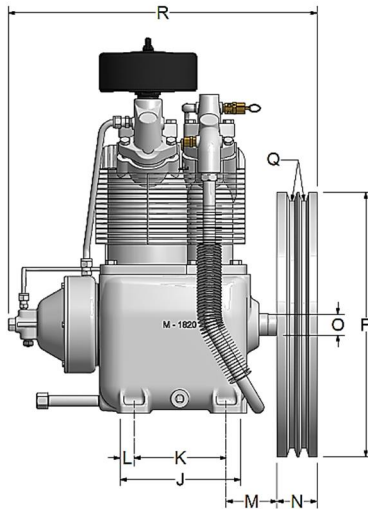


## Section 1 – General

### Dimensions



C416-C  
Ref Drawing



Item		R10D
A	Base-Width	10"
B	Bolt Down-Width	4-3/8"
C	Bolt Down to Edge	5/8"
D	Base to Crank Ctr	5-1/2"
E	Overall Width	16-1/2"
F	Overall Height	23-1/4"
I	Bolt Down Hole Dia.	15/32"
J	Base-Depth	7-1/2"
K	Bolt Down Depth	5-3/4"
L	Bolt Down to Edge	7/8"
M	Bolt Hole to Wheel (Max.)	3-5/8"
N	Flywheel Width	2-1/2"
O	Crank Diameter	1-5/16"
P	Flywheel Diameter	16-1/2"
Q	Flywheel Grooves	2VB
R	Overall Depth	20"

- H.P. Exhaust Opening: 3/4" tubing
- Flywheel Rotation – Clockwise when viewed from front, flywheel to rear.

### Specifications

BORE & STROKE (INCHES)	NO. OF CYLINDERS	OIL CAPACITY (QTS.)	WEIGHT (LBS)	PRESSURE (PSIG)	CU FT./REV.	MIN./MAX. RPM
4-5/8 & 2-1/2 x 3	2	2	109	175	.02914	400/1050

### Performance

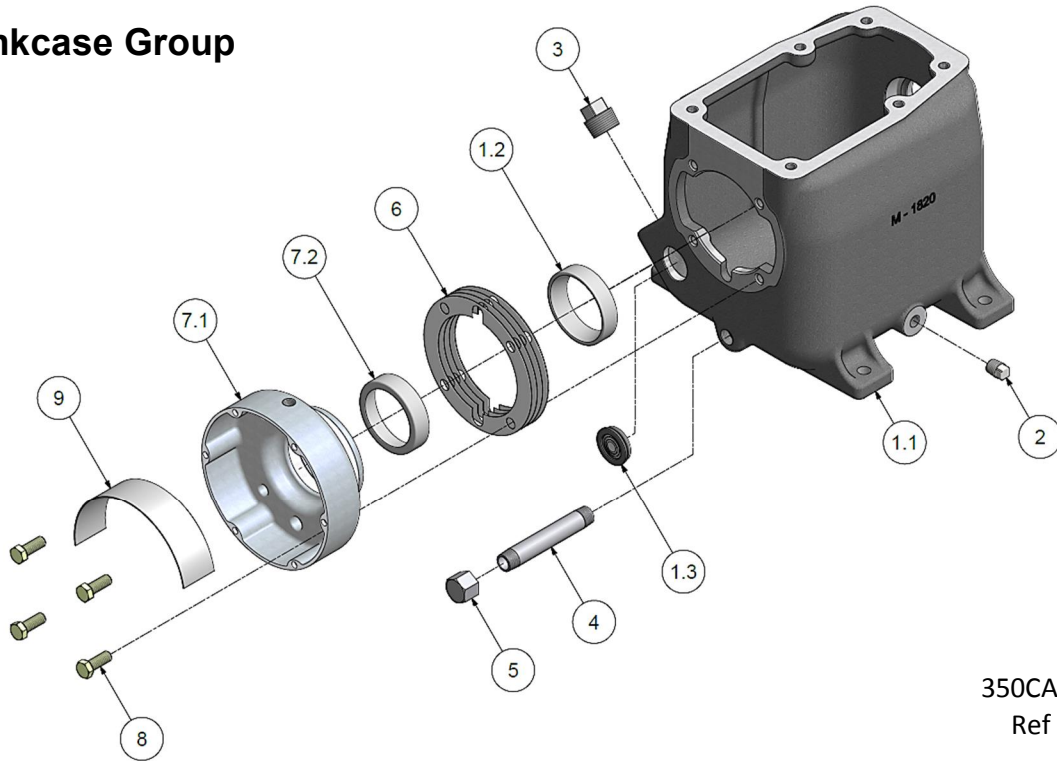
OUTPUT PRESS. PSIG	MOTOR H.P.	PUMP RPM	DISPL. CFM	COOLING AIR FLOW CFM	HEAT REJECTION BTU/HR	APPROX. PULLEY O.D. INCHES
125	5	748	21.8	866	12,000	7.35
175	5	705	20.5	814	12,000	6.95
125 & 175	7.5	961	28.0	1160	16,800	9.35

All data is based on 1800 RPM electric motors as a power source.

Pulley Dia. (approx.) =  $\frac{\text{Compressor RPM} \times \text{Flywheel Dia.}}{\text{Motor or Engine RPM}}$

## Section 2 – Compressor

### Crankcase Group



350CAP810-01  
Ref Drawing

#### CRANKCASE GROUP

301CAP013

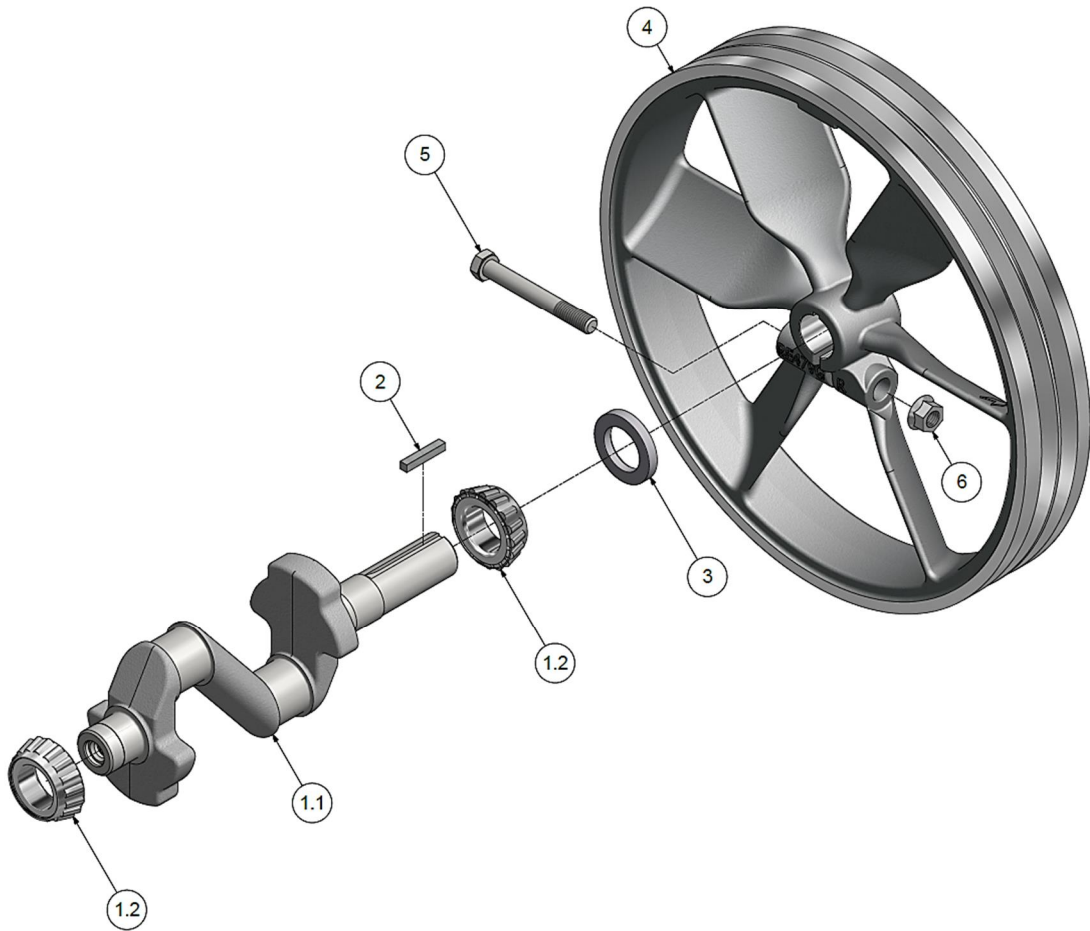
1.1	M1820	CRANKCASE	1
1.2	NR16*	MAIN BEARING, CUP	1
1.3	RE714	OIL LEVEL GAUGE	1
2	64AA5	PLUG	1
3	64A5	PLUG	1
4	63E12	NIPPLE	1
5	64AD3	CAP	1
6	SE1430*	GASKET, 0.032	1
6	SE1430A*	GASKET, 0.006	1
6	SE1430B*	GASKET, 0.010	1
6	SE1430C*	GASKET, 0.015	1
7.1	NR80A	GOVERNOR HOUSING	1
7.2	NR16*	MAIN BEARING, CUP	1
8	M2343	SCREW (torque @ 400 in-lbs)	4
9	NR104	PLATE, GOVERNOR BAFFLE	1

\*not sold separately – see repair parts

#### REPAIR PARTS

1.2,7.2	ZNR16A	MAIN BEARING	1
6	Z130	GOVERNOR HOUSING GASKET SET	1
-	Z764	COMPRESSOR GASKET SET (excludes valve gaskets)	1

# Crankshaft Group



359CAP810-01  
Ref Drawing

## CRANKSHAFT GROUP

301CAP004

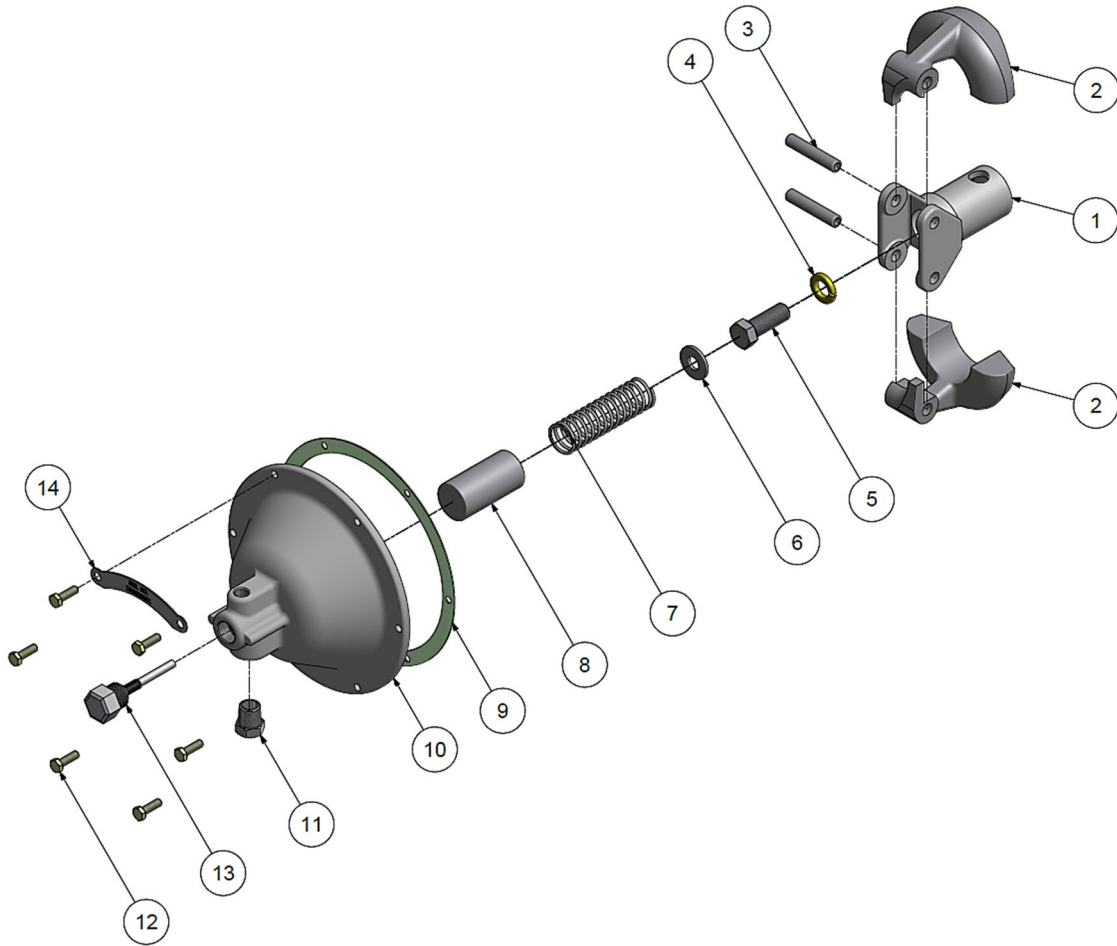
1.1	R155	CRANKSHAFT	1
1.2	NR16A*	MAIN BEARING, CONE & ROLLER	2
2	U8	KEY	1
3	OSN4	OIL SEAL	1
4	NR7A	FLYWHEEL	1
5	655EE160	SCREW (torque @ 600 in-lbs)	1
6	M2955	NUT	1

\*not sold separately – see repair parts

## REPAIR PARTS

1.2	ZNR16A	MAIN BEARING	1
-----	--------	--------------	---

# Centrifugal Unloader Group



352CAP810-01  
Ref Drawing

## Centrifugal Unloader Group

### CENTRIFUGAL UNLOADER GROUP

**300CAP890**

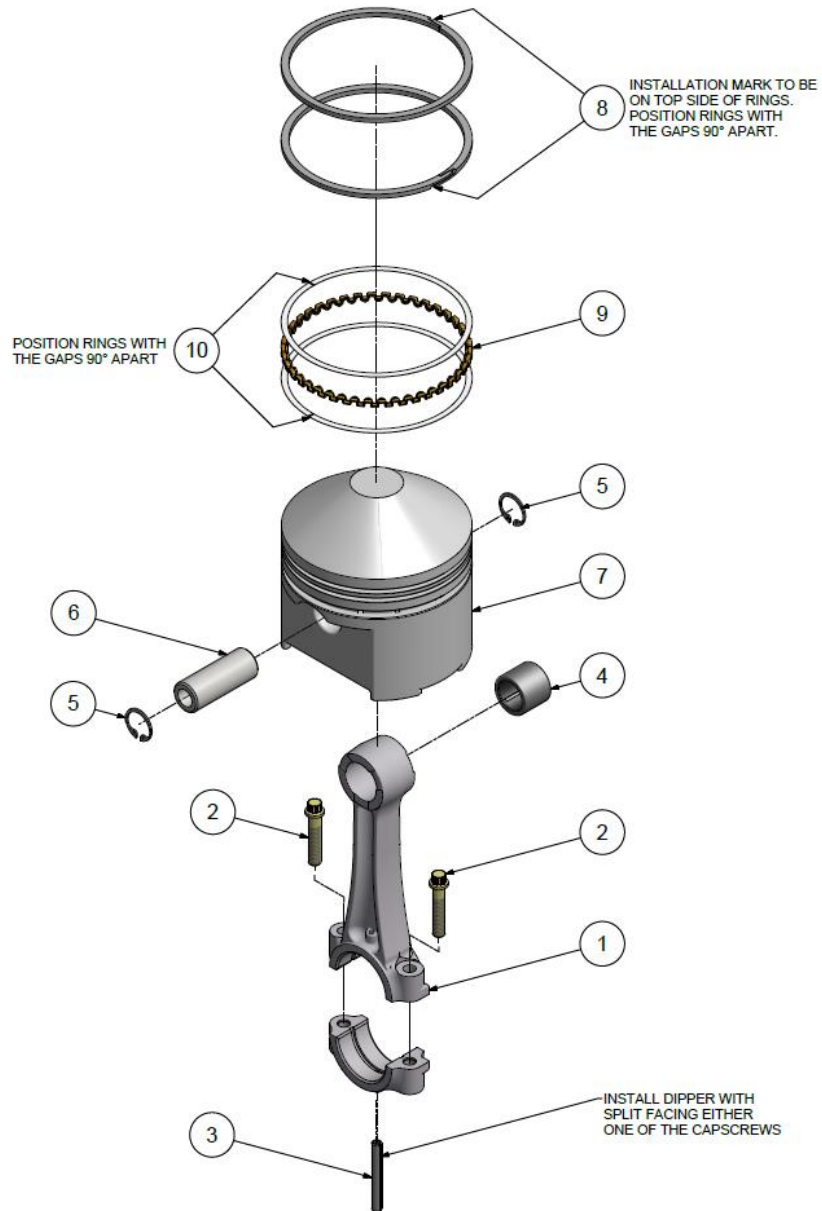
1	SE583B	SPINDLE,GOVERNOR	1
2	SE582B	WEIGHT,GOVERNOR	2
3	SE592A	PIN, GOVERNOR WEIGHT	2
4	95B4Z	WASHER-LOCK	1
5	M2345	SCREW (torque @ 470 in-lbs)	1
6	M912A	SPACER,CENTRIFUGAL UNLOADER	1
7	SE590	SPRING,GOVERNOR	1
8	SE587	SLEEVE, SPRING	1
9	SE1489	GASKET,GOVERNOR COVER	1
10	RE10100A	GOVERNOR HOUSING COVER	1
11	Z4593	BREATHER	1
12	M3473	SCREW	6
13	Z12414A	RELEASE VALVE KIT	1
14	M3658	SERIAL NUMBER PLATE	1

### REPAIR PARTS

-	Z764	COMPRESSOR GASKET SET (excludes valve gaskets)	1
---	------	--	---



# Piston/Rod Group – Low Pressure



361CAP810-00  
Ref Drawing

## Piston/Rod Group – Low Pressure

### LOW PRESSURE ROD/PISTON GROUP

**303CAP4056**

1	M1582*	CONNECTING ROD	1
2	M1583	SCREW (torque @ 230 in-lbs)	2
3	R1524	OIL DIPPER	1
4	R1037	BEARING, WRIST PIN	1
5	R10102	RING, RETAINING	2
6	R1021	PIN, PISTON	1
7	R154	PISTON	1
8	P02788A*	RING, PISTON	2
9	RE1410D1*	RING, EXPANDER	1
10	RE1410D2*	RING, RAIL	2

\*not sold separately – see repair parts

### REPAIR PARTS

1-4	Z750	CONNECTING ROD ASSEMBLY KIT	1
5-7	ZR154	PISTON KIT, LOW PRESSURE WITH PIN	1
8-10	Z798	RING SET, LOW PRESSURE	1
5-10	Z9101	PISTON & RING KIT, LOW PRESSURE	1
-	Z799	COMPLETE RING SET, HIGH & LOW PRESSURE	1



## Piston/Rod Group – High Pressure

### HIGH PRESSURE ROD/PISTON GROUP

302CAP4056

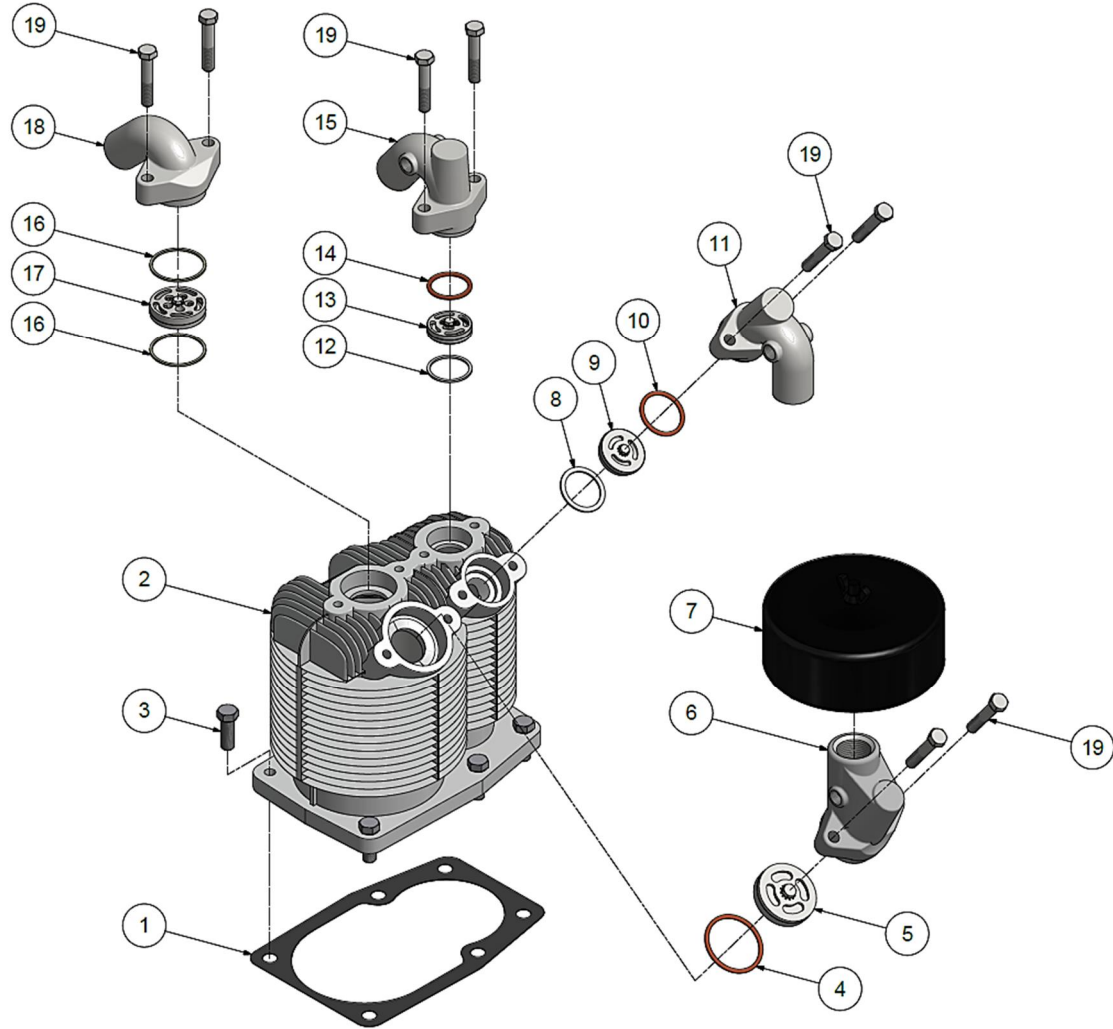
1	M1582*	CONNECTING ROD	1
2	M1583	SCREW (torque @ 230 in-lbs)	2
3	R1524	OIL DIPPER	1
4	R1037	BEARING, WRIST PIN	1
5	R10102	RING, RETAINING	2
6	R1021	PIN, PISTON	1
7	P02709C	PISTON	1
8	P02785A*	RING, PISTON	2
9	RE3610D1*	RING, EXPANDER	1
10	RE3610D2*	RING, RAIL	2

\*not sold separately – see repair parts

### REPAIR PARTS

1-4	Z750	CONNECTING ROD ASSEMBLY KIT	1
5-7	ZP2709C	PISTON KIT, HIGH PRESSURE WITH PIN	1
8-10	Z797	RING SET, HIGH PRESSURE	1
5-10	Z9100	PISTON & RING KIT, HIGH PRESSURE	1
-	Z799	COMPLETE RING SET, HIGH & LOW PRESSURE	1

# Cylinder Group – Standard



353CAP810-00  
Ref Drawing



## Cylinder Group – Standard

### CYLINDER GROUP

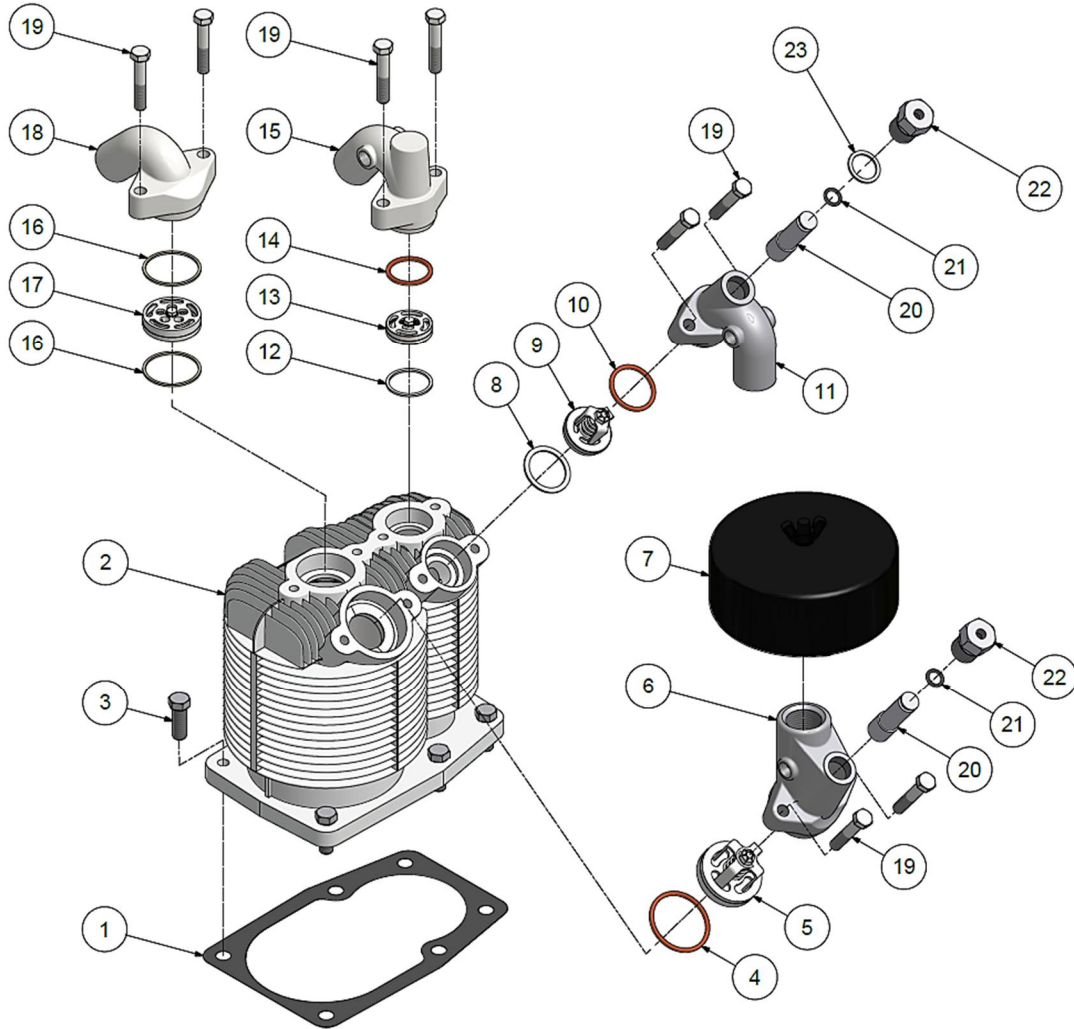
**300CAP4042**

1	NR29A	GASKET,CYLINDER FLANGE	1
2	P12237D	CYLINDER	1
3	M2345	SCREW (torque @ 400 in-lbs)	6
4	CQP14832A	GASKET,VALVE,LP,COPPER	1
5	Z812A	VALVE,LP,INTAKE	1
6	P09669C	MANIFOLD,LP INTAKE	1
7	P04999A	FILTER SILENCER	1
8	P09171A	GASKET,VALVE,HP,ALUMINUM	1
9	Z11775	VALVE,HP,INTAKE	1
10	CQP14870A	GASKET,VALVE,HP,COPPER	1
11	P12302B	MANIFOLD,HP INTAKE	1
12	P04137A	GASKET,VALVE,HP,ALUMINUM	1
13	Z115A	VALVE,HP,EXHAUST	1
14	CQP14869A	GASKET,VALVE,HP,COPPER	1
15	P12303B	MANIFOLD,HP EXHAUST	1
16	P04135A	GASKET,VALVE,LP,ALUMINUM	2
17	Z813A	VALVE,LP,EXHAUST	1
18	RE102E	MANIFOLD,LP EXHAUST	1
19	655ED080	SCREW (torque @ 200 in-lbs)	8

### REPAIR PARTS

4, 5, 8, 9, 10, 12, 13, 14, 16, 17	Z5155	COMPLETE VALVE SET, WITH GASKET SET	1
4, 8, 10, 12, 14, 16	Z5156	COMPLETE VALVE GASKET SET	1
-	Z764	COMPRESSOR GASKET SET (excludes valve gaskets)	1

# Cylinder Group – with Head Unloaders (optional)



357CAP810-00  
Ref Drawing

## Cylinder Group – with Head Unloaders (optional)

### CYLINDER GROUP - HEAD UNLOADERS

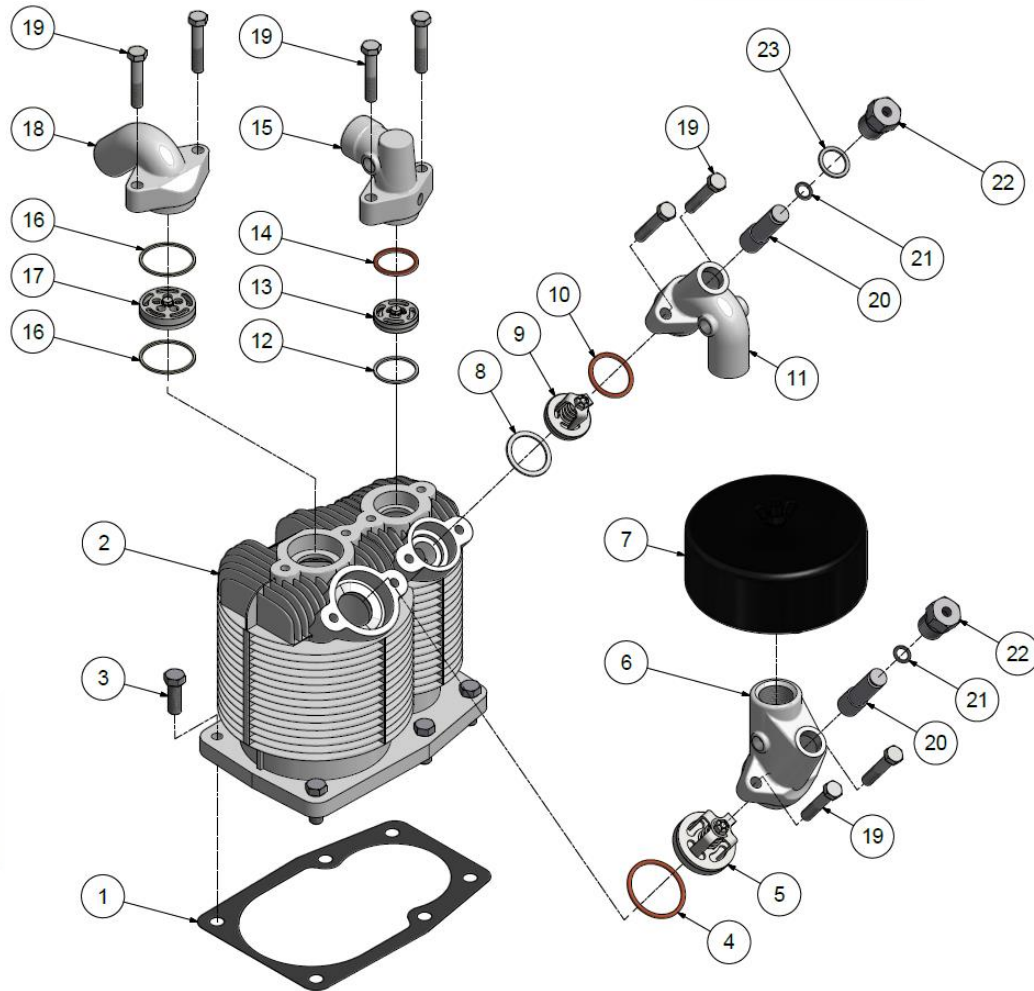
302CAP4042

1	NR29A	GASKET,CYLINDER FLANGE	1
2	P12237D	CYLINDER	1
3	M2345	SCREW (torque @ 400 in-lbs)	6
4	CQP14832A	GASKET,VALVE,LP,COPPER	1
5	Z4877A	VALVE,LP,INTAKE,UNLOADER	1
6	P09670C	MANIFOLD,LP INTAKE	1
7	P04999A	FILTER SILENCER	1
8	P09171A	GASKET,VALVE,HP,ALUMINUM	1
9	Z11936	VALVE,HP,INTAKE,UNLOADER	1
10	CQP14870A	GASKET,VALVE,HP,COPPER	1
11	P12304B	MANIFOLD,HP INTAKE,HU	1
12	P04137A	GASKET,VALVE,HP,ALUMINUM	1
13	Z115A	VALVE,HP,EXHAUST	1
14	CQP14869A	GASKET,VALVE,HP,COPPER	1
15	P12303B	MANIFOLD,HP EXHAUST	1
16	P04135A	GASKET,VALVE,LP,ALUMINUM	2
17	Z813A	VALVE,LP,EXHAUST,SUB-ASSY	1
18	RE102E	MANIFOLD,EXHAUST LP	1
19	655ED080	SCREW (torque @ 200 in-lbs)	8
20	P09923A	UNLOADER PISTON	2
21	P02547A	O-RING	2
22	P02306B	VALVE,CYLINDER,FOR HU	2
23	P00746A	GASKET	1

### REPAIR PARTS

4, 5, 8, 9, 10, 12, 13, 14, 16, 17	Z6795	COMPLETE VALVE SET, WITH GASKET SET	1
4, 8, 10, 12, 14, 16	Z5156	COMPLETE VALVE GASKET SET	1
-	Z764	COMPRESSOR GASKET SET (excludes valve gaskets)	1
-	Z9144	KIT, HEAD UNLOADER CONVERSION (includes manifolds, unloader valves assemblies, pilot valve, fittings and tubing)	1

# Cylinder Group – Engine Driven



387CAP810-00  
Ref Drawing

## Cylinder Group – Engine Driven

### CYLINDER GROUP – ENGINE DRIVEN

**304CAP4042**

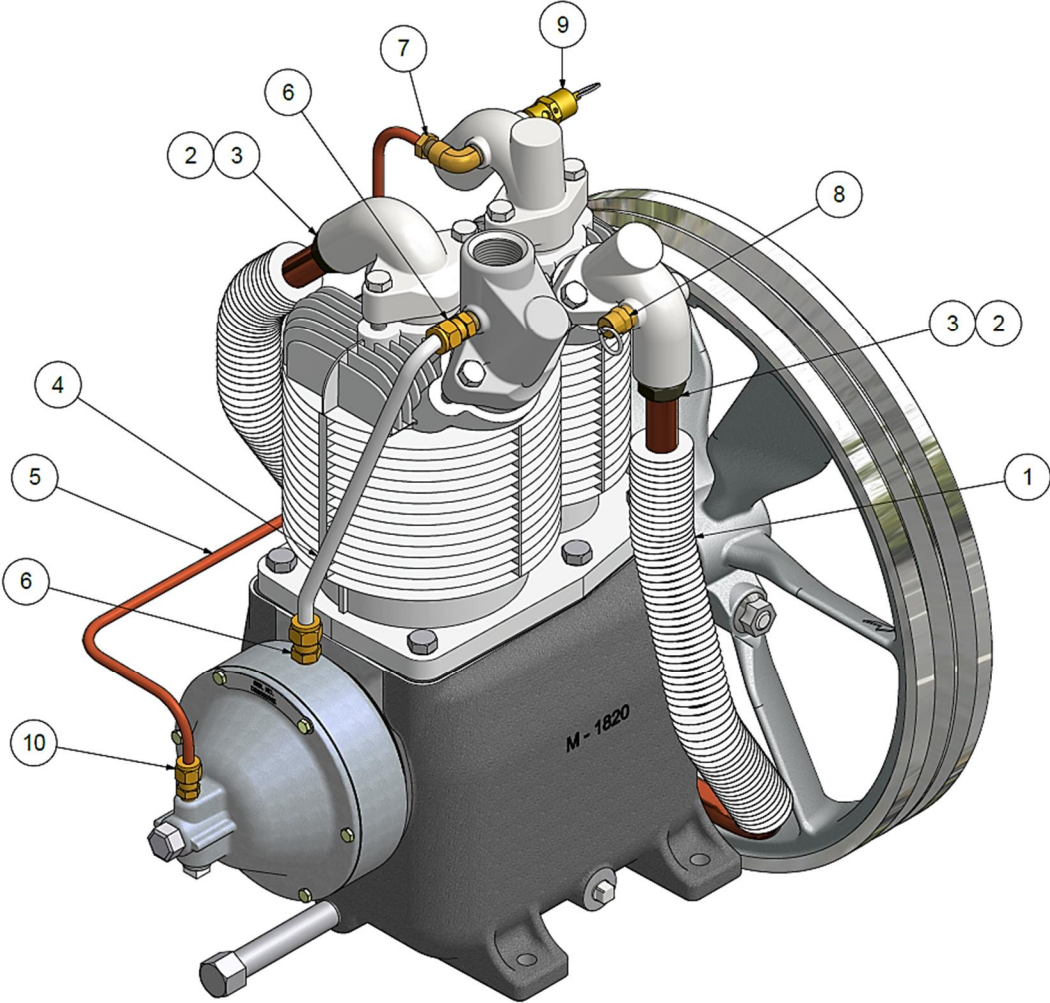
1	NR29A	GASKET,CYLINDER FLANGE	1
2	P12237D	CYLINDER	1
3	M2345	SCREW (torque @ 400 in-lbs)	6
4	CQP14832A	GASKET,VALVE,LP,COPPER	1
5	Z4877A	VALVE,LP,INTAKE,UNLOADER	1
6	P09670C	MANIFOLD,LP INTAKE	1
7	P04999A	FILTER SILENCER	1
8	P09171A	GASKET,VALVE,HP,ALUMINUM	1
9	Z11936	VALVE,HP,INTAKE,UNLOADER	1
10	CQP14870A	GASKET,VALVE,HP,COPPER	1
11	P12304B	MANIFOLD,HP INTAKE,HU	1
12	P04137A	GASKET,VALVE,HP,ALUMINUM	1
13	Z115A	VALVE,HP,EXHAUST	1
14	CQP14869A	GASKET,VALVE,HP,COPPER	1
15	M1717	MANIFOLD,HP EXHAUST,NPT	1
16	P04135A	GASKET,VALVE,LP,ALUMINUM	2
17	Z813A	VALVE,LP,EXHAUST,SUB-ASSY	1
18	RE102E	MANIFOLD,EXHAUST LP	1
19	655ED080	SCREW (torque @ 200 in-lbs)	8
20	P09923A	UNLOADER PISTON	2
21	P02547A	O-RING	2
22	P02306B	VALVE,CYLINDER,FOR HU	2
23	P00746A	GASKET	1

### REPAIR PARTS

4, 5, 8, 9, 10, 12, 13, 14, 16, 17	Z6795	COMPLETE VALVE SET, WITH GASKET SET	1
4, 8, 10, 12, 14, 16	Z5156	COMPLETE VALVE GASKET SET	1
-	Z764	COMPRESSOR GASKET SET (excludes valve gaskets)	1



# Tubing and Control Group – Standard



356CAP810-00  
Ref Drawing

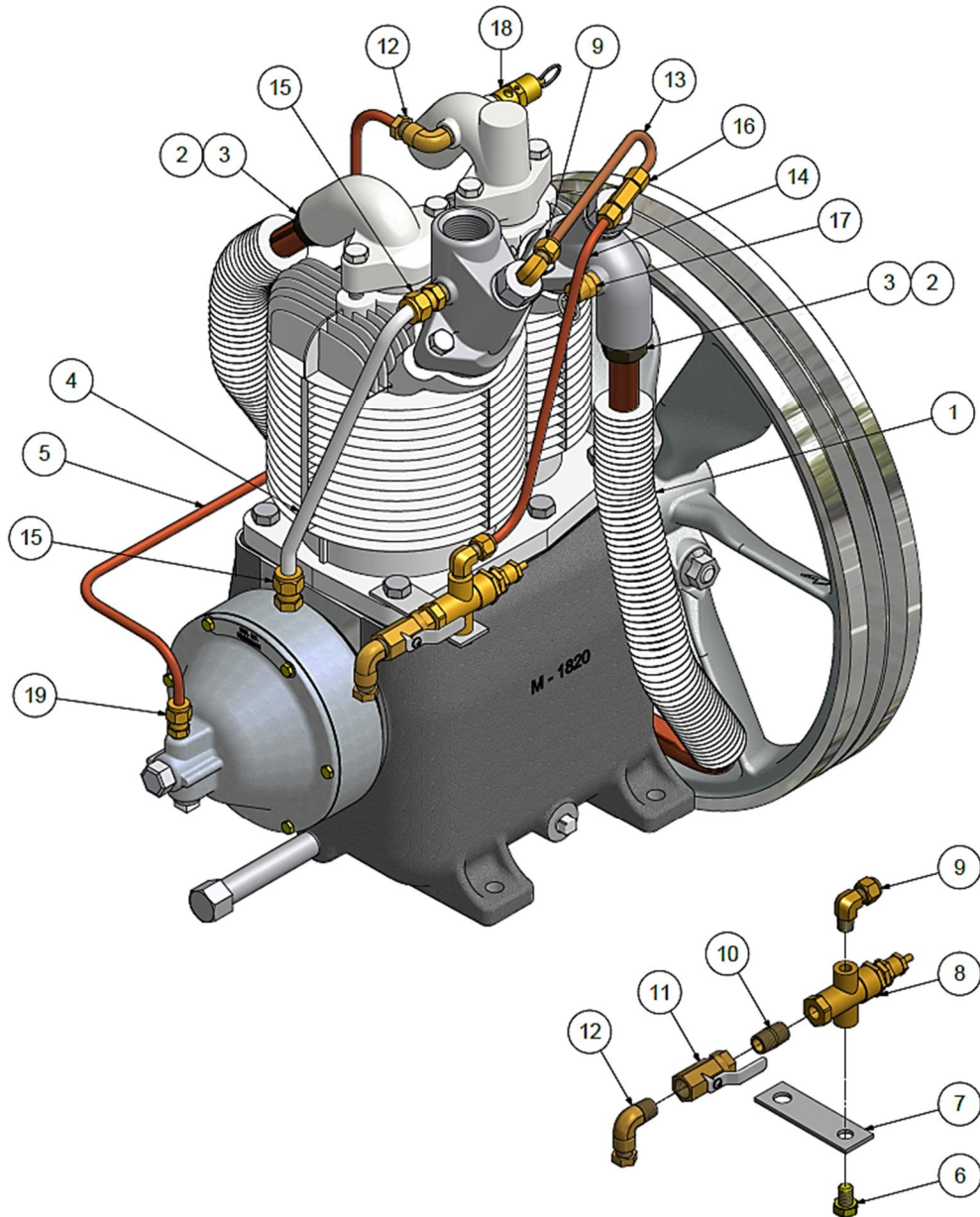
## Tubing and Control Group – Standard

### TUBING & CONTROL GROUP

300CAP272

1	P12514D	INTERCOOLER	1
2	SE542	COMPRESSION FERRULE	2
3	SE541	COMPRESSION NUT	2
4	UB375	BREATHER TUBE	1
5	306CAP294	UNLOADER TUBE	1
6	M2864	COMPRESSION FITTING, STRAIGHT	2
7	86A40	COMPRESSION FITTING, ELBOW	1
8	M3685	PRESSURE RELIEF VALVE, 75 PSIG	1
9	P09704A	PRESSURE RELIEF VALVE, 270 PSIG	1
10	M2863	COMPRESSION FITTING, STRAIGHT	1

# Tubing and Control Group – with Head Unloaders (optional)



358CAP810-00  
Ref Drawing

## Tubing and Control Group – with Head Unloaders (optional)

### TUBING & CONTROL GROUP - HEAD UNLOADERS

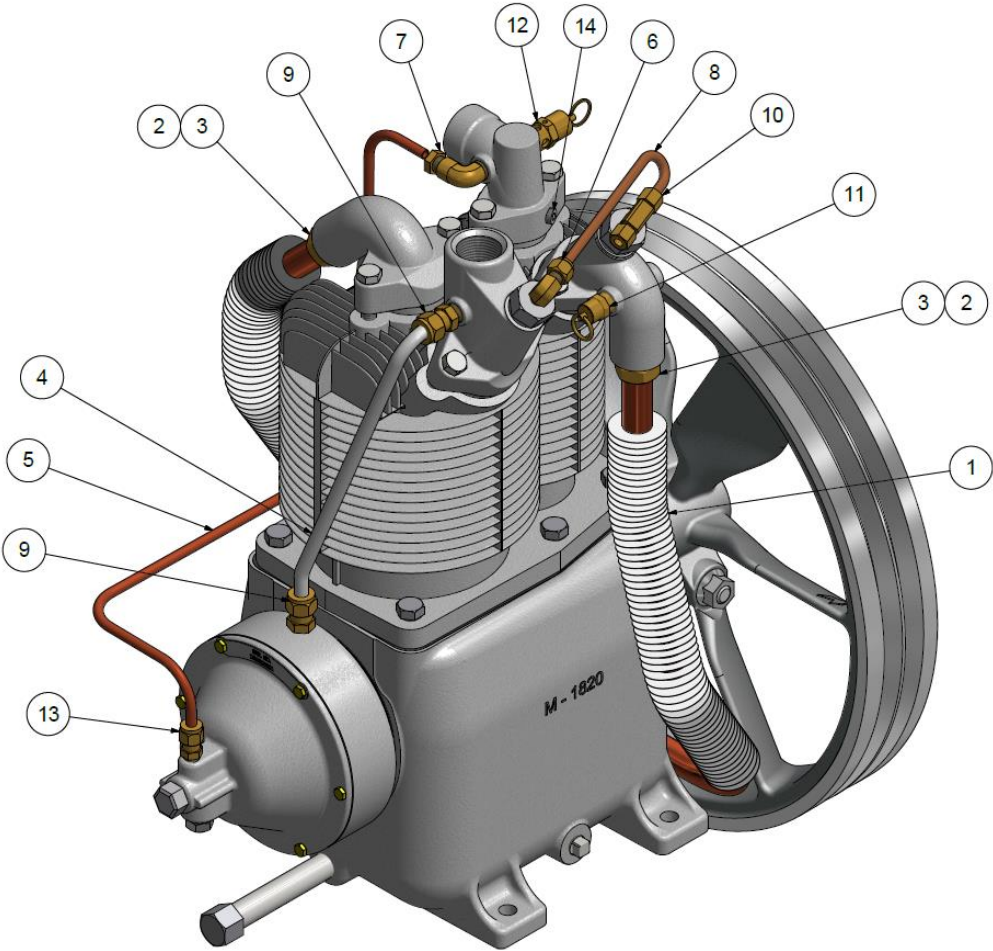
**302CAP272**

1	P12514D	INTERCOOLER	1
2	SE542	COMPRESSION FERRULE	2
3	SE541	COMPRESSION NUT	2
4	UB375	BREATHER TUBE	1
5	306CAP294	UNLOADER TUBE	1
6	M3465	SCREW	1
7	M807	BRACKET	1
8	M2854	PILOT VALVE 90-120# (125 psi discharge)	1
8	M2853	PILOT VALVE 140-170# (175 psi discharge)	1
9	M2868	COMPRESSION FITTING, ELBOW	2
10	63Z15	PIPE NIPPLE	1
11	VP1022988	BALL VALVE	1
12	86A40	COMPRESSION FITTING, ELBOW	2
13	P12556A	TUBE, MANIFOLD	1
14	300CAP294	TUBE, HEAD UNLOADER	1
15	M2864	COMPRESSION FITTING, STRAIGHT	2
16	M2879	COMPRESSION FITTING, TEE	1
17	M3685	PRESSURE RELIEF VALVE, 75 PSIG	1
18	P09704A	PRESSURE RELIEF VALVE, 270 PSIG	1
19	M2863	COMPRESSION FITTING, STRAIGHT	1

### REPAIR PARTS

-	Z9144	KIT, HEAD UNLOADER CONVERSION (includes manifolds, unloader valves assemblies, pilot valve, fittings and tubing)	1
---	-------	--	---

# Tubing and Control Group – Engine Driven



385CAP810-00  
Ref Drawing



## Tubing and Control Group – Engine Driven

### TUBING & CONTROL GROUP – ENGINE DRIVEN

**309CAP272**

1	P12514D	INTERCOOLER	1
2	SE542	COMPRESSION FERRULE	2
3	SE541	COMPRESSION NUT	2
4	UB375	BREATHER TUBE	1
5	306CAP294	UNLOADER TUBE	1
6	M2868	COMPRESSION FITTING, ELBOW	1
7	86A40	COMPRESSION FITTING, ELBOW	1
8	P12556A	TUBE, MANIFOLD	1
9	M2864	COMPRESSION FITTING, STRAIGHT	2
10	M2879	COMPRESSION FITTING, TEE	1
11	M3685	PRESSURE RELIEF VALVE, 75 PSIG	1
12	P09704A	PRESSURE RELIEF VALVE, 270 PSIG	1
13	M2863	COMPRESSION FITTING, STRAIGHT	1

## High Temperature Switch (optional)



TEN008394-01  
Ref Drawing

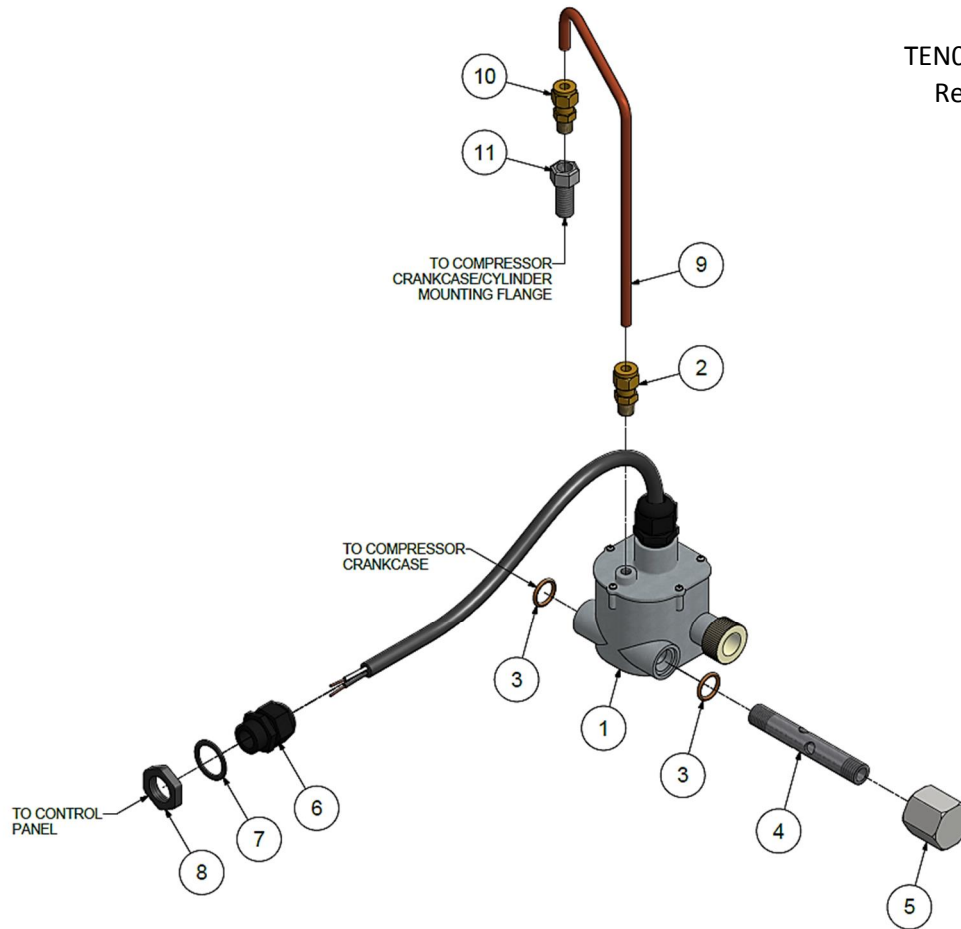
### HIGH TEMPERATURE SWITCH

TEN008394

1	TEN001792	SWITCH, HIGH TEMP, 450F	1
2	003FE98	CORD GRIP	1
3	TEN008088	SEALING RING	1
4	TEN008089	LOCK NUT	1
5	M1003B	PIPE TEE	1
6	P08798A	PIPE NIPPLE	1

## Low Oil Shutdown Control (optional)

TEN008800-00  
Ref Drawing



### LOW OIL SHUTDOWN CONTROL

**TEN008800**

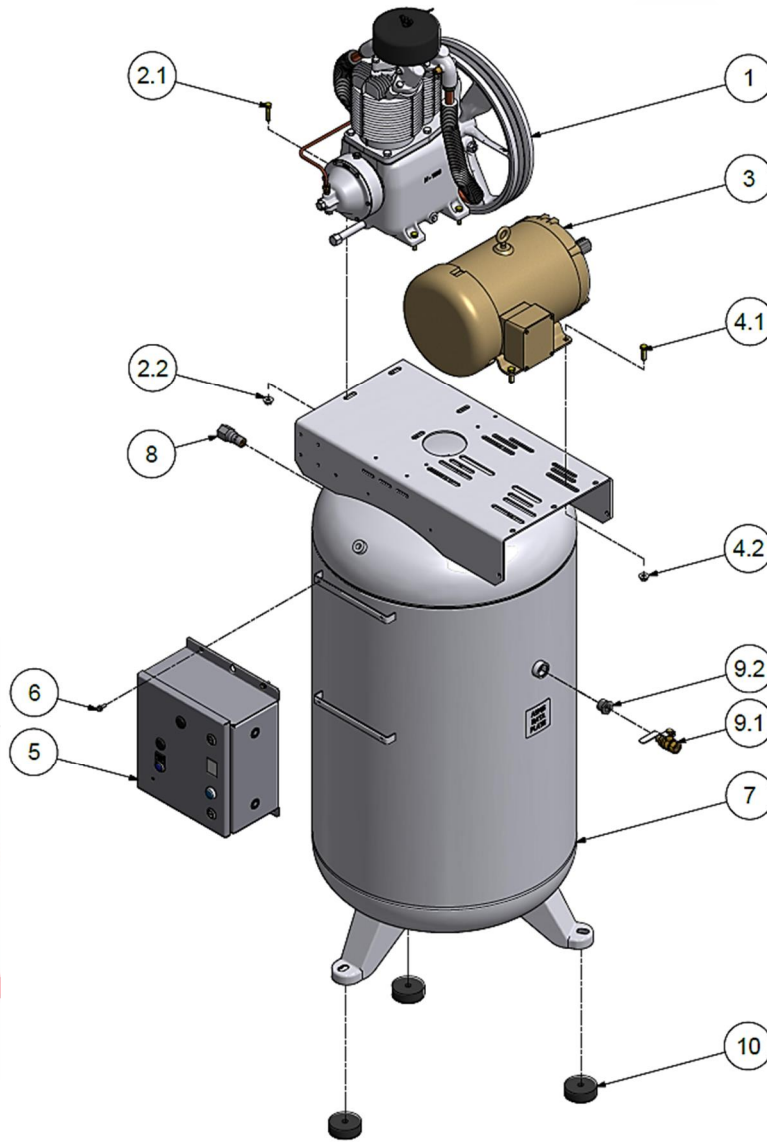
Part No.	Part Name	Description	Quantity
1	TEN008741	SWITCH-LOW OIL SHUTDOWN CONTROL	1
2	M2863	COMPRESSION FITTING, STRAIGHT	1
3	2009222	O-RING	2
4	CC1153304	OIL TUBE	1
5	LO30	RETAINER CAP	1
6	003FE98	CORD GRIP	1
7	TEN008088	SEALING RING	1
8	TEN008089	LOCK NUT	1
9	CC1007635	VENT TUBE	1
10	M2863	COMPRESSION FITTING, STRAIGHT	1
11	P13757A	VENT FITTING	1

### REPAIR PARTS

1-11	TEN008808	KIT-LOSC w/CABLE, COMPLETE	1
1-4	TEN008855	KIT-LOSC w/CABLE, REPLACEMENT	1

# Section 3 – Electric Packages

## Vertical Package



400CAS810-00  
Ref Drawing

## Vertical Package

### COMPRESSOR

**R2-30A**

1	R2-30A-P01	R15 COMPRESSOR	1
1	R2-30A-P03	R15 COMPRESSOR W/HEAD UNLOADERS	1

### COMPRESSOR MOUNTING

**401CAS4017**

2.1	M3460	SCREW	4
2.2	M3483	NUT	4

### MOTOR

3	-	SEE MOTOR LISTING ON FOLLOWING PAGE	1
---	---	-------------------------------------	---

### MOTOR MOUNTING

**401CAS4015**

4.1	M3440	SCREW	4
4.2	M3483	NUT	4

### SIMPLEX CONTROL PANEL

5	-	SEE PART NUMBER LISTING IN CONTROL PANEL MANUAL	1
---	---	---	---

### PANEL MOUNTING

6	M3349	SCREW	4
---	-------	-------	---

### VERTICAL AIR RECEIVER

7	TEN007606	RECEIVER, 60 GALLON VERTICAL, 200PSI	1
7	TEN005603	RECEIVER, 80 GALLON VERTICAL, 200PSI	1
7	TEN007002	RECEIVER, 120 GALLON VERTICAL, 200PSI	1

### CHECK VALVE

8	P05822A	CHECK VALVE	1
---	---------	-------------	---

### BALL VALVE

**405CAS4061**

9.1	M3590	BALL VALVE	1
9.2	M483	BUSHING	1

### VIBRATION ISOLATORS (OPTIONAL)

10	P14607A	ISOLATOR,VIBRATION,3"DIA.	3
----	---------	---------------------------	---



## Horizontal Package – Simplex

### COMPRESSOR

**R2-30A**

1	R2-30A-P01	R15 COMPRESSOR	1
1	R2-30A-P03	R15 COMPRESSOR W/HEAD UNLOADERS	1

### COMPRESSOR MOUNTING

**401CAS4017**

2.1	M3460	SCREW	4
2.2	M3483	NUT	4

### MOTOR

3	-	SEE MOTOR LISTING ON FOLLOWING PAGE	1
---	---	-------------------------------------	---

### MOTOR MOUNTING

**401CAS4015**

4.1	M3440	SCREW	4
4.2	M3483	NUT	4

### SIMPLEX CONTROL PANEL

5	-	SEE PART NUMBER LISTING IN CONTROL PANEL MANUAL	1
---	---	---	---

### PANEL MOUNTING

6.1	TEN008116	BRACKET-PANEL,30GL HORIZONTAL	1
6.1	TEN008117	BRACKET-PANEL,60-80GL HORIZONTAL	1
6.1	TEN008118	BRACKET-PANEL,120GL HORIZONTAL	1
6.2	M3349	SCREW	3
6.3	50AW3	NUT	1
6.4	M1454	SCREW	1

### HORIZONTAL AIR RECEIVER / BASE PLATE

7	TEN007508	RECEIVER, 30 GALLON HORIZONTAL, 200PSI	1
7	TEN007285	RECEIVER, 60 GALLON HORIZONTAL, 200PSI	1
7	TEN007325	RECEIVER, 80 GALLON HORIZONTAL, 200PSI	1
7	TEN005638	RECEIVER, 120 GALLON HORIZONTAL, 200PSI	1
7	P09195C	BASE MOUNT PLATE (not shown)	1

### CHECK VALVE

8	P05822A	CHECK VALVE	1
8	M953B	BUSHING (FOR 120GL - NOT SHOWN)	1

### BALL VALVE

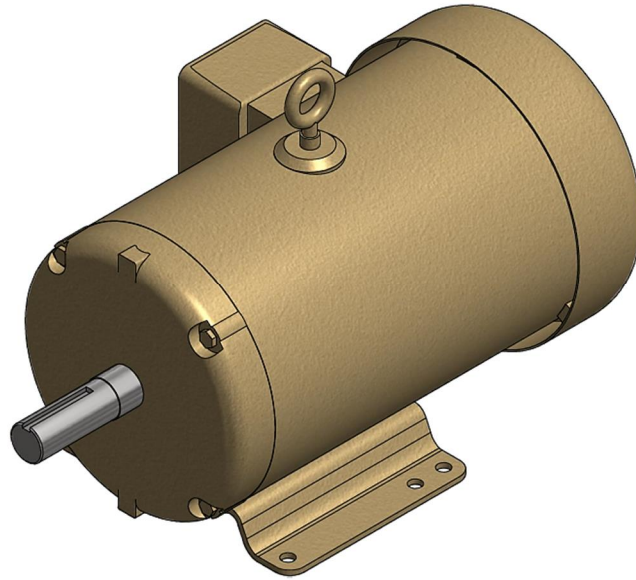
9	M3590	BALL VALVE	1
---	-------	------------	---

### VIBRATION ISOLATORS (OPTIONAL)

10	P14607A	ISOLATOR,VIBRATION,3"DIA. (30 GL)	4
10	P14608A	ISOLATOR,VIBRATION,4"DIA. (60, 80 & 120 GL)	4

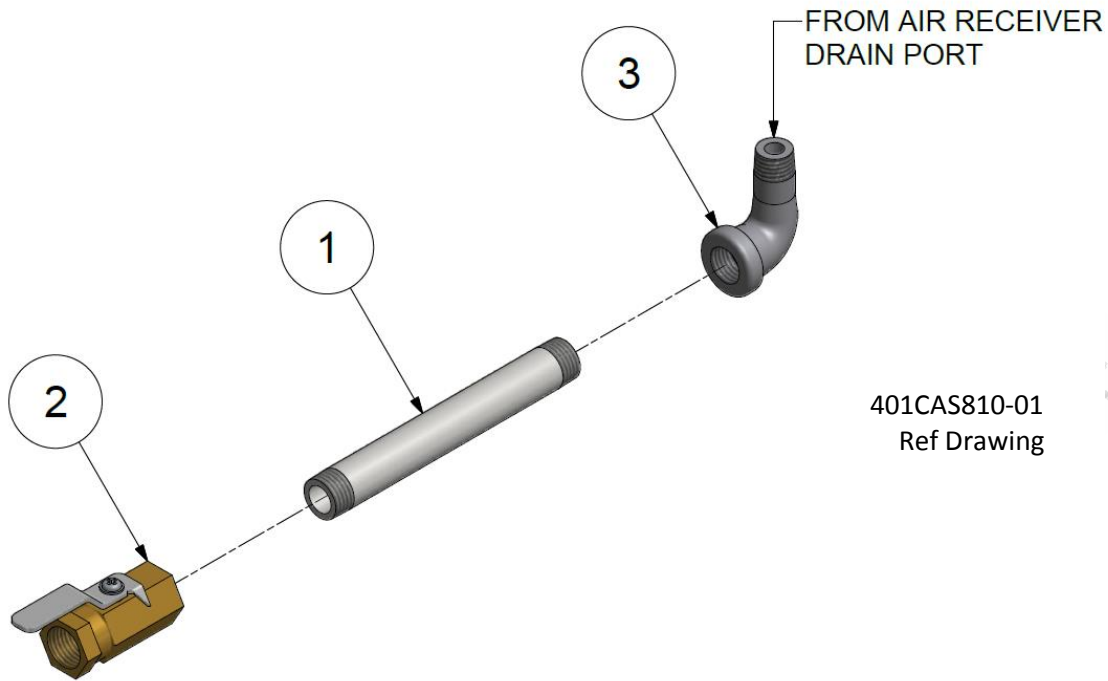


## Electric Motor List



MOTOR								R2-30A
3	P04663A	MOTOR	5HP	208V	60HZ	1PH	ODP	1
3	P14632CP	MOTOR	5HP	208V	60HZ	1PH	TEFC	1
3	P04663A	MOTOR	5HP	230V	60HZ	1PH	ODP	1
3	P14632CP	MOTOR	5HP	230V	60HZ	1PH	TEFC	1
3	24CA6644	MOTOR	5HP	208V	60HZ	3PH	ODP	1
3	24CA6646	MOTOR	5HP	208V	60HZ	3PH	TEFC	1
3	24CA6647	MOTOR	5HP	230V-460V	60HZ	3PH	ODP	1
3	24CA6648	MOTOR	5HP	230V-460V	60HZ	3PH	TEFC	1
3	24CA6649	MOTOR	5HP	575V	60HZ	3PH	ODP	1
3	24CA6650	MOTOR	5HP	575V	60HZ	3PH	TEFC	1
3	VP1037934	MOTOR	7.5HP	208V	60HZ	1PH	ODP	1
3	VP1045830	MOTOR	7.5HP	208V	60HZ	1PH	TEFC	1
3	P10397A	MOTOR	7.5HP	230V	60HZ	1PH	ODP	1
3	VP1045830	MOTOR	7.5HP	230V	60HZ	1PH	TEFC	1
3	24CA6652	MOTOR	7.5HP	208V	60HZ	3PH	ODP	1
3	24CA6654	MOTOR	7.5HP	208V	60HZ	3PH	TEFC	1
3	24CA6655	MOTOR	7.5HP	230V-460V	60HZ	3PH	ODP	1
3	24CA6656	MOTOR	7.5HP	230V-460V	60HZ	3PH	TEFC	1
3	24CA6657	MOTOR	7.5HP	575V	60HZ	3PH	ODP	1
3	24CA6658	MOTOR	7.5HP	575V	60HZ	3PH	TEFC	1

## Tank Drain – Manual



### MANUAL TANK DRAIN (30GL HORIZONTAL)

404CAS4027

1	M1016B	PIPE NIPPLE, 1.5"	1
2	VP1022988	BALL VALVE	1
3	M980B	PIPE ELBOW	1

### MANUAL TANK DRAIN (60-80GL HORIZONTAL & 60-80-120GL VERTICAL)

CC1044092

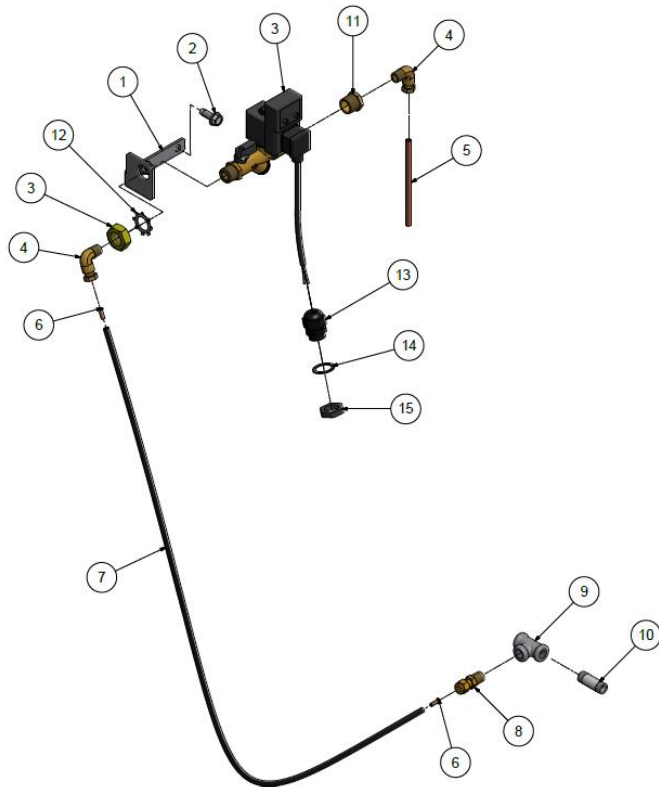
1	M933B	PIPE NIPPLE, 4"	1
2	VP1022988	BALL VALVE	1
3	M980B	PIPE ELBOW	1

### MANUAL TANK DRAIN (120-240GL HORIZONTAL)

401CAS4027

1	M933B	PIPE NIPPLE, 4"	1
2	VP1022988	BALL VALVE	1
3	M980B	PIPE ELBOW	1
4	M1318 (NOT SHOWN)	PIPE BUSHING	1

## Tank Drain – Electric (optional)



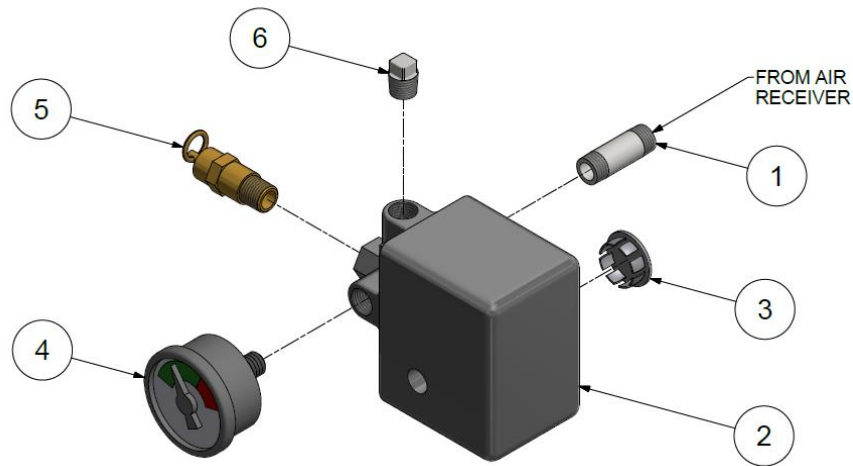
TEN002668-02  
Ref Drawing

### ELECTRIC TANK DRAIN

TEN002668

1	CC1049403	BRACKET	1
2	M1454	SCREW	2
3	TEN001368	VALVE,ETD,W/STRAINER	1
4	86A40	COMPRESSION FITTING, ELBOW	2
5	M2471	COPPER TUBING	6 in
6	P10118A	TUBE INSERT	2
7	P08084A	PLASTIC TUBING	5 ft
8	M2862	COMPRESSION FITTING, STRAIGHT	1
9	M1003B	PIPE TEE	1
10	M1016B	PIPE NIPPLE	1
11	M3080	PIPE BUSHING	1
12	95H8	LOCK WASHER	1
13	003FE98	CORD GRIP	1
14	TEN08088	SEALING RING	1
15	TEN08089	LOCK NUT	1

## Control Group – Start/Stop



402CAS810-01  
Ref Drawing  
(Nema 1)

### START/STOP CONTROL, NEMA 1

401CAS4052

403CAS4052

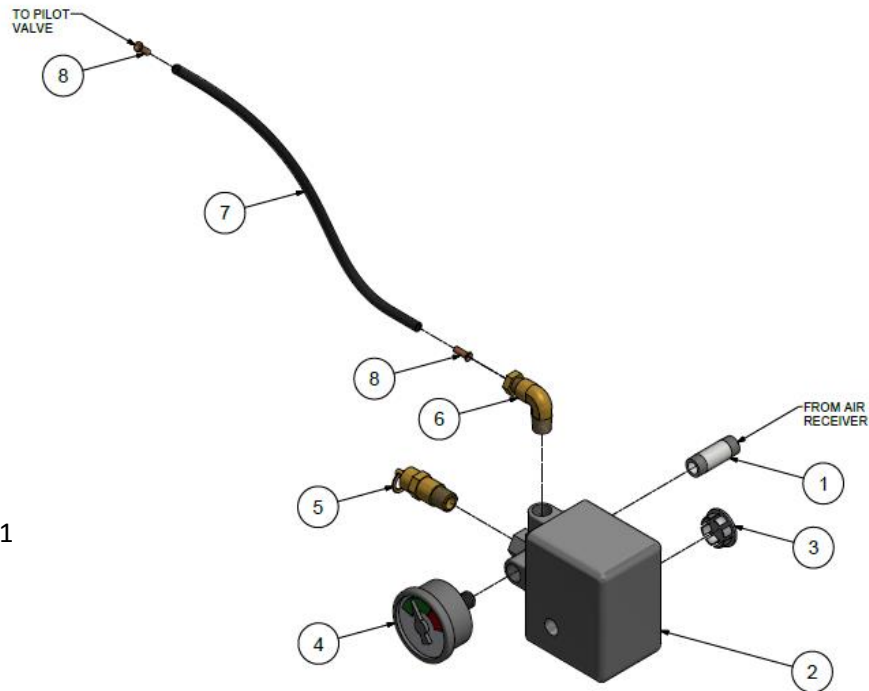
1	M1016B	PIPE NIPPLE, 1.5"	1
2	P14205A	SWITCH,PRESSURE,95-125 (125 psi discharge)	1
2	P14202A	SWITCH,PRESSURE,140-175 (175 psi discharge)	1
3	M2352	KNOCKOUT HOLE PLUG	1
4	M519C	PRESSURE GAUGE	1
5	M2843	PRESSURE RELIEF VALVE, 200#	1
6	64AA5	PIPE PLUG	1

### START/STOP CONTROL, NEMA 4

405CAS4052

1	M1016B	PIPE NIPPLE, 1.5"	1
2	P07333A	SWITCH,PRESSURE,N4 (125 or 175 psi discharge)	1
4	M519C	PRESSURE GAUGE	1
5	M2843	PRESSURE RELIEF VALVE, 200#	1
-	64K1 (not shown)	PIPE CROSS	1

## Control Group – Dual Control (optional)



408CAS810-01  
Ref Drawing  
(Nema 1)

### DUAL CONTROL, NEMA 1

407CAS4052

411CAS4052

1	M1016B	NIPPLE	1
2	P14205A	SWITCH,PRESSURE,95-125 (125 psi discharge)	1
2	P14202A	SWITCH,PRESSURE,140-175 (175 psi discharge)	1
3	M2352	KNOCKOUT HOLE PLUG	1
4	M519C	PRESSURE GAUGE	1
5	M2843	PRESSURE RELIEF VALVE, 200#	1
6	86A40	COMPRESSION FITTING, ELBOW	1
7	P08084A	PLASTIC TUBING	3.5 ft
8	P10118A	TUBE INSERT	2

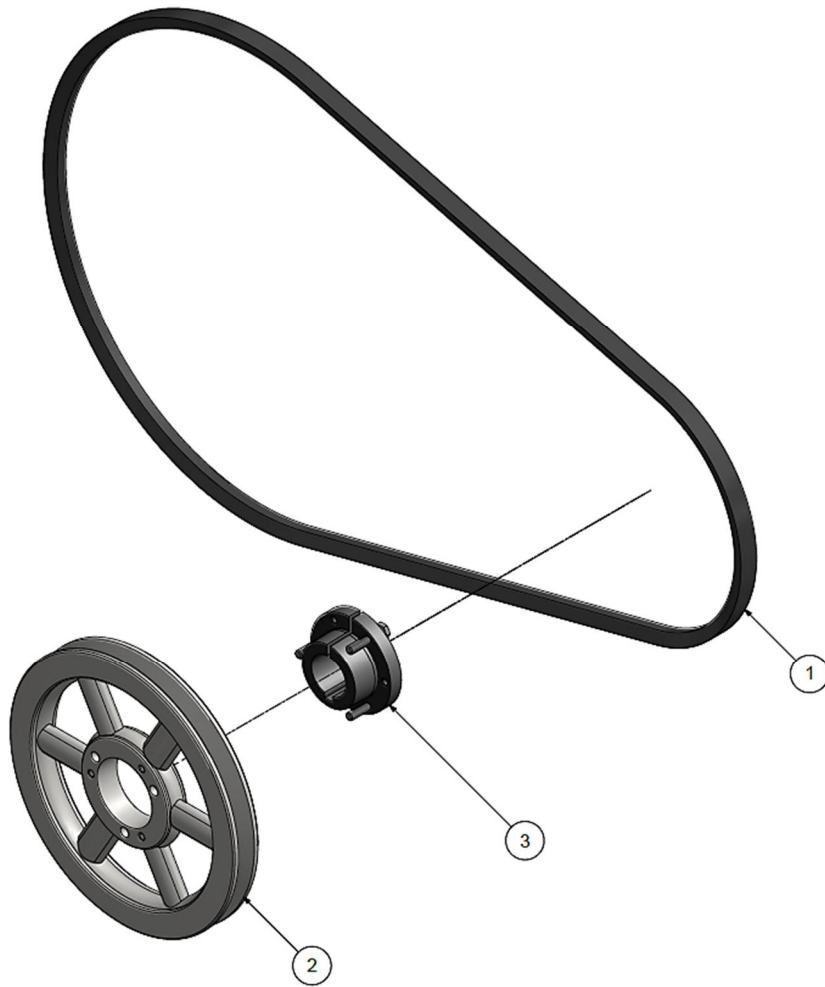
### DUAL CONTROL, NEMA 4

409CAS4052

413CAS4052

1	M1016B	NIPPLE	2
-	M1003B (not shown)	PIPE TEE	1
-	64K1 (not shown)	PIPE CROSS	1
2	P07333A	SWITCH,PRESSURE,N4 (125 or 175 psi discharge)	1
4	M519C	PRESSURE GAUGE	1
5	M2843	PRESSURE RELIEF VALVE, 200#	1
6	86A40	COMPRESSION FITTING, ELBOW	1
7	P08084A	PLASTIC TUBING	3 ft
8	P10118A	TUBE INSERT	2

## Power Transmission



403CAS810-00  
Ref Drawing

### TRANSMISSION GROUP (R15,125PSI,5HP)

407CAS4072

1	B65	VEE BELT	1
2	TEN005195	PULLEY,7.35OD,SDS,1VA/B	1
3	P09358A	BUSHING,PULLEY,SDS,1-1/8 BORE	1

### TRANSMISSION GROUP (R15,175PSI,5HP)

408CAS4072

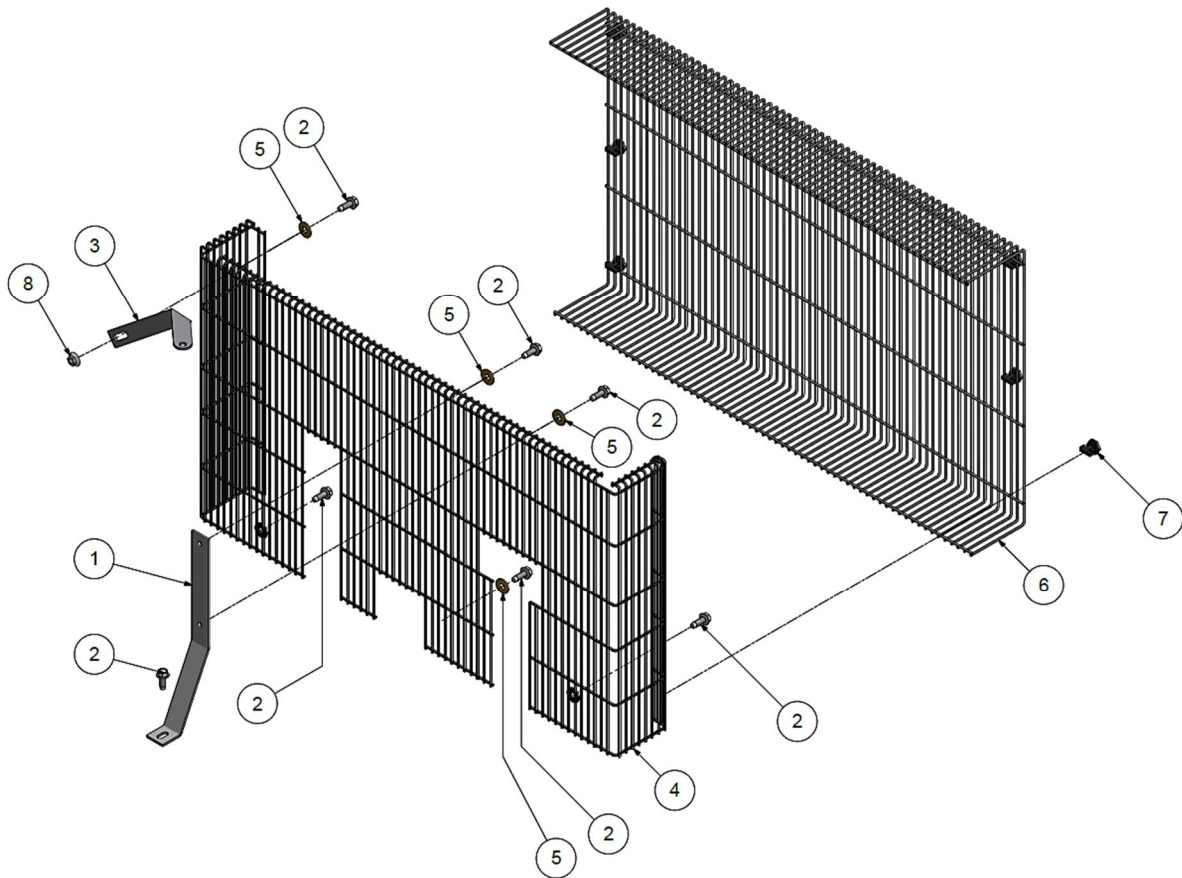
1	B65	VEE BELT	1
2	TEN005196	PULLEY,6.95OD,SDS,1VA/B	1
3	P09358A	BUSHING,PULLEY,SDS,1-1/8 BORE	1

### TRANSMISSION GROUP (R15,125/175PSI,7.5HP)

409CAS4072

1	B68	VEE BELT	2
2	P13912A	PULLEY,9.35ODXSK,2GR,A/B	1
3	P05607A	BUSHING,PULLEY,SK,1-3/8	1

## Belt Guard – Standard



404CAS810-00  
Ref Drawing

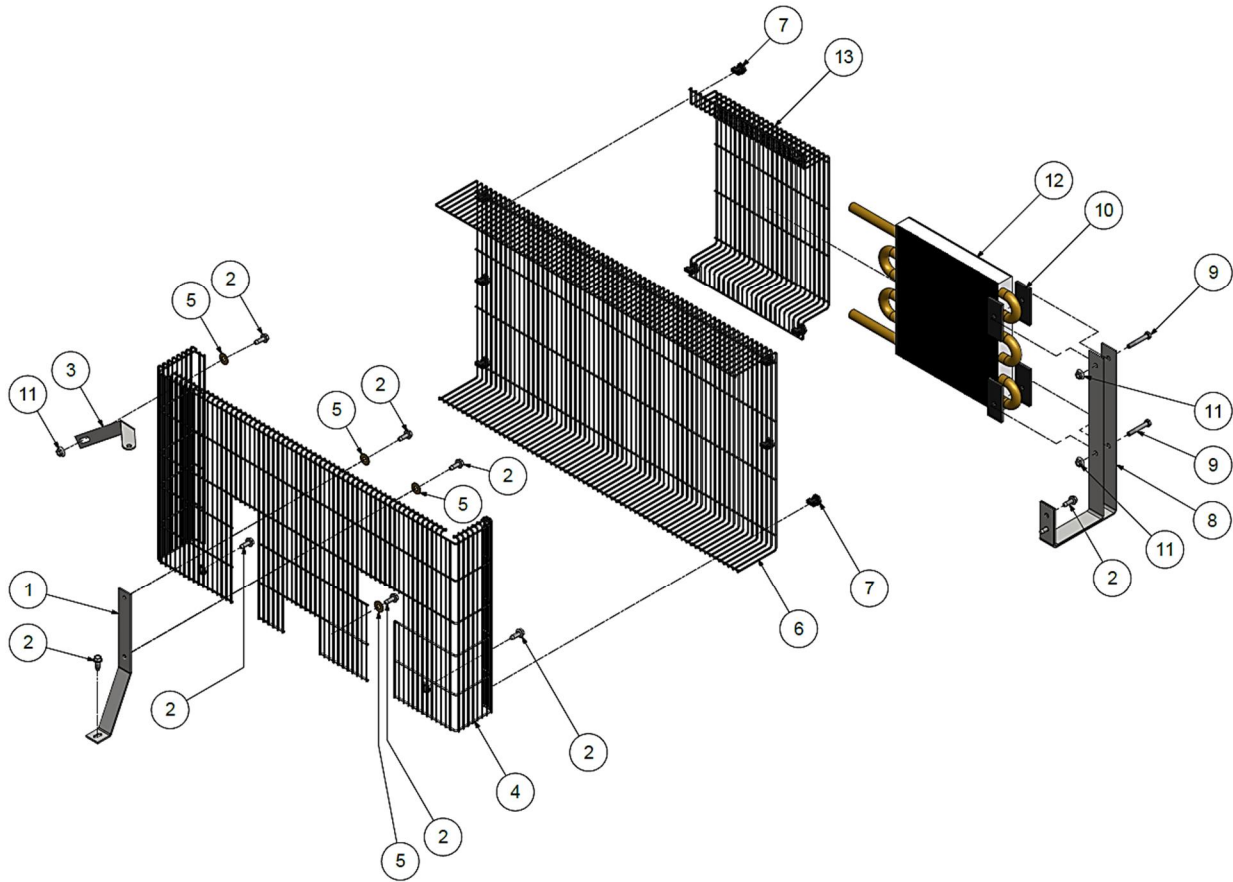
### BELTGUARD – STANDARD

CC1060459

1	P09985B	BRACKET	1
2	M1454	SCREW	6
3	P14085B	BRACKET	1
4	CC1055727	BELTGUARD BACK	1
5	M3056	WASHER	6
6	CC1055728	BELTGUARD FRONT	1
7	P10005A	CLIP	6
8	M3485	NUT	1



## Belt Guard – with Aftercooler (optional)



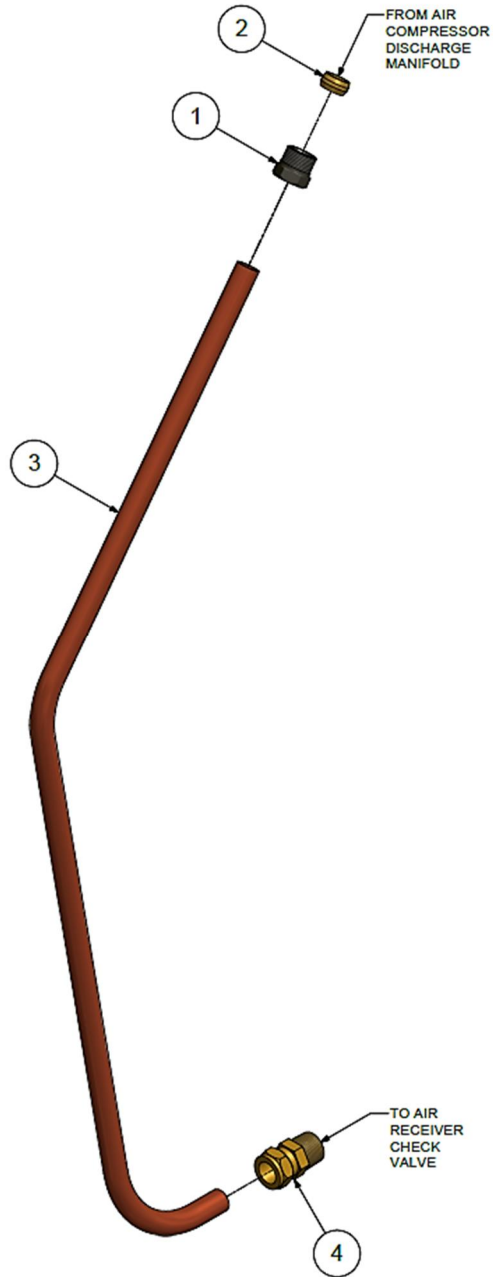
406CAS810-00  
Ref Drawing

### BELTGUARD - WITH AFTERCOOLER

CC1060458

1	P09985B	BRACKET	1
2	M1454	SCREW	8
3	P14085B	BRACKET	1
4	CC1055727	BELTGUARD BACK	1
5	M3056	WASHER	3
6	CC1055728	BELTGUARD FRONT	1
7	P10005A	CLIP	10
8	CC1055729	BRACKET	1
9	M2627	SCREW	2
10	M1367	ISOLATOR,VIBRATION	4
11	M3485	NUT	3
12	P14477B	AFTERCOOLER	1
13	P14072C	AFTERCOOLER GUARD	1

# Discharge Piping – Vertical, Standard



405CAS810-00  
Ref Drawing

## Discharge Piping – Vertical, Standard

### DISCHARGE PIPING - 60GL VERTICAL, STANDARD

**417CAS4022**

1	SE541	COMPRESSION NUT	1
2	SE542	COMPRESSION FERRULE	1
3	TEN010239	TUBE-DISCHARGE	1
4	M2867	COMPRESSION FITTING, STRAIGHT	1

### DISCHARGE PIPING - 80GL VERTICAL, STANDARD

**407CAS4022**

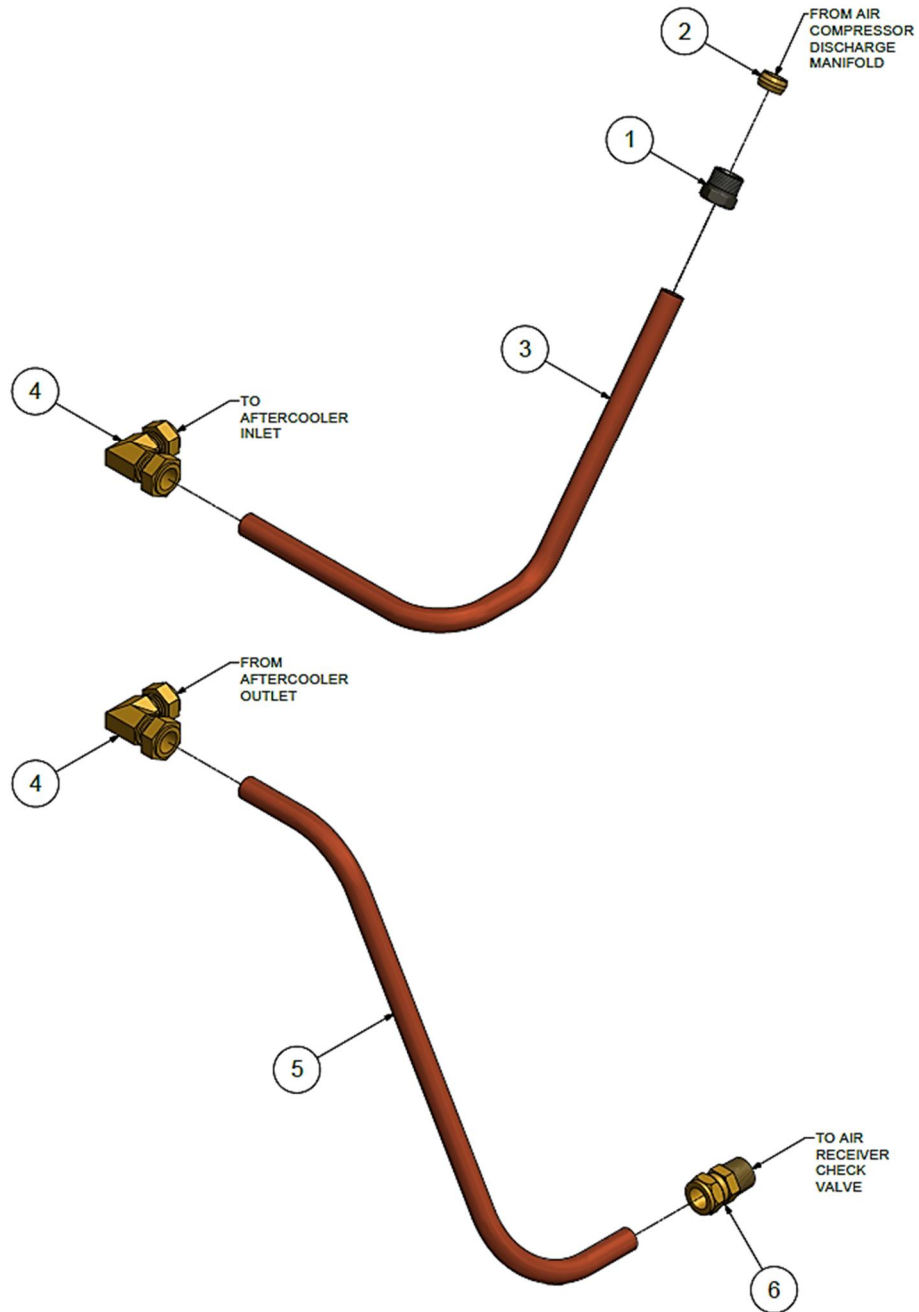
1	SE541	COMPRESSION NUT	1
2	SE542	COMPRESSION FERRULE	1
3	TEN010240	TUBE-DISCHARGE	1
4	M2867	COMPRESSION FITTING, STRAIGHT	1

### DISCHARGE PIPING - 120GL VERTICAL, STANDARD

**419CAS4022**

1	SE541	COMPRESSION NUT	1
2	SE542	COMPRESSION FERRULE	1
3	TEN010241	TUBE-DISCHARGE	1
4	M2350	COMPRESSION FITTING, ELBOW	1

# Discharge Piping – Vertical, with Aftercooler (optional)



407CAS810-00  
Ref Drawing

## Discharge Piping – Vertical, with Aftercooler (optional)

### DISCHARGE PIPING - 60GL VERTICAL, WITH AFTERCOOLER

**418CAS4022**

1	SE541	COMPRESSION NUT	1
2	SE542	COMPRESSION FERRULE	1
3	P10143B	TUBE-DISCHARGE, UPPER	1
4	M2288	COMPRESSION FITTING, ELBOW	2
5	TEN010229	TUBE-DISCHARGE, LOWER	1
6	M2867	COMPRESSION FITTING, STRAIGHT	1

### DISCHARGE PIPING - 80GL VERTICAL, WITH AFTERCOOLER

**401CAS4022**

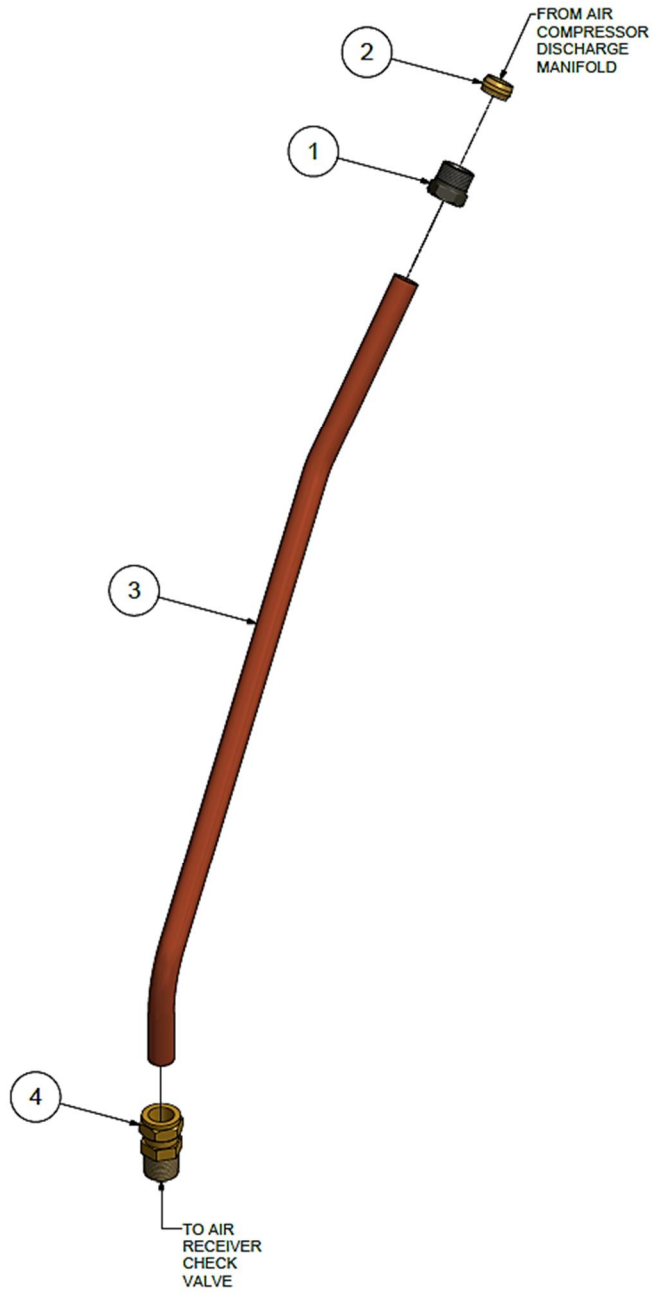
1	SE541	COMPRESSION NUT	1
2	SE542	COMPRESSION FERRULE	1
3	P10143B	TUBE-DISCHARGE, UPPER	1
4	M2288	COMPRESSION FITTING, ELBOW	2
5	TEN009098	TUBE-DISCHARGE, LOWER	1
6	M2867	COMPRESSION FITTING, STRAIGHT	1

### DISCHARGE PIPING - 120GL VERTICAL, WITH AFTERCOOLER

**420CAS4022**

1	SE541	COMPRESSION NUT	1
2	SE542	COMPRESSION FERRULE	1
3	P10143B	TUBE-DISCHARGE, UPPER	1
4	M2288	COMPRESSION FITTING, ELBOW	2
5	TEN010230	TUBE-DISCHARGE, LOWER	1
6	M2350	COMPRESSION FITTING, ELBOW	1

# Discharge Piping – Horizontal, Standard



410CAS810-00  
Ref Drawing

## Discharge Piping – Horizontal, Standard

### DISCHARGE PIPING - BASE MOUNT, STANDARD

**423CAS4022**

1	SE541	COMPRESSION NUT	1
2	SE542	COMPRESSION FERRULE	1

### DISCHARGE PIPING - 30GL HORIZONTAL, STANDARD

**413CAS4022**

1	SE541	COMPRESSION NUT	1
2	SE542	COMPRESSION FERRULE	1
3	TEN010235	TUBE-DISCHARGE	1
4	M2350	COMPRESSION FITTING, ELBOW	1

### DISCHARGE PIPING - 60GL HORIZONTAL, STANDARD

**415CAS4022**

1	SE541	COMPRESSION NUT	1
2	SE542	COMPRESSION FERRULE	1
3	TEN010236	TUBE-DISCHARGE	1
4	M2867	COMPRESSION FITTING, STRAIGHT	1

### DISCHARGE PIPING - 80GL HORIZONTAL, STANDARD

**421CAS4022**

1	SE541	COMPRESSION NUT	1
2	SE542	COMPRESSION FERRULE	1
3	TEN010244	TUBE-DISCHARGE	1
4	M2867	COMPRESSION FITTING, STRAIGHT	1

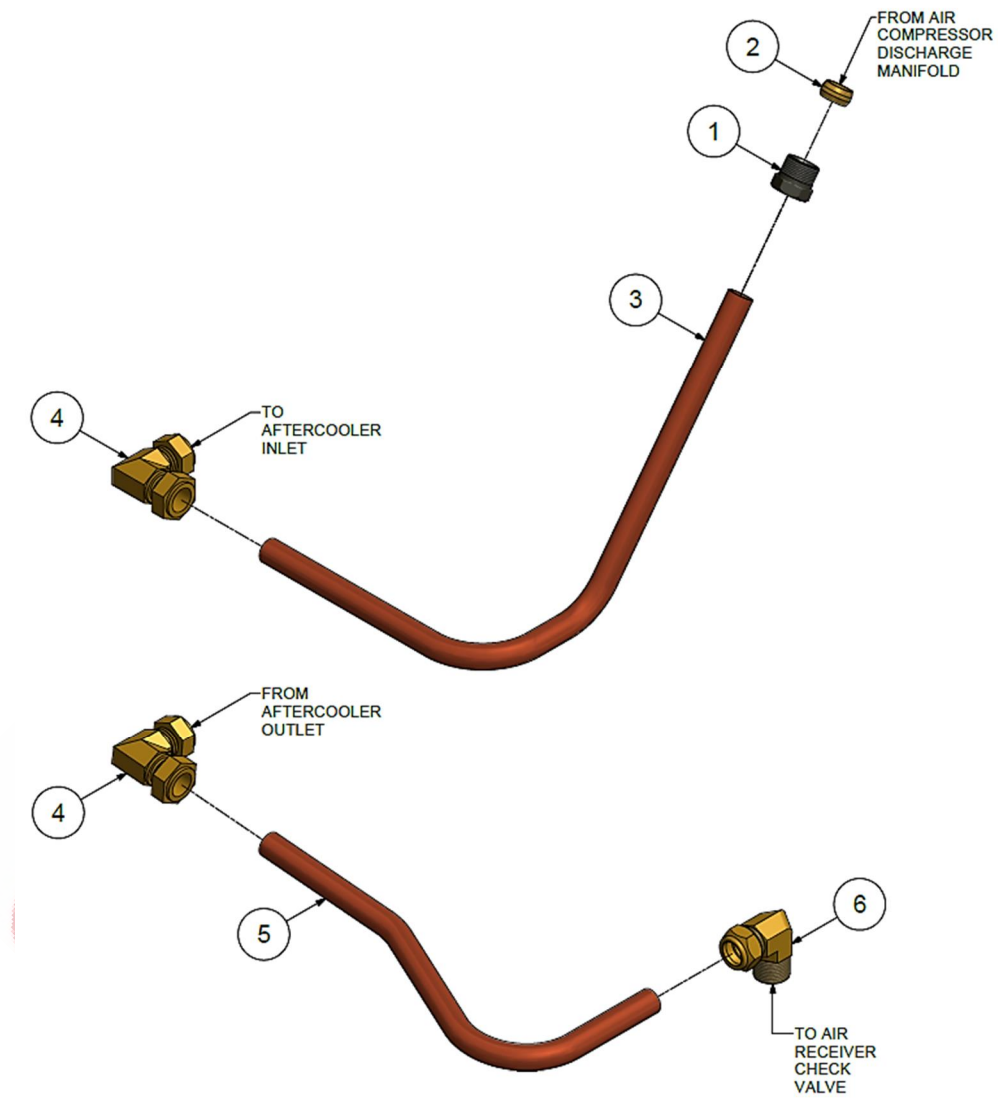
### DISCHARGE PIPING - 120GL HORIZONTAL, STANDARD

**422CAS4022**

1	SE541	COMPRESSION NUT	1
2	SE542	COMPRESSION FERRULE	1
3	TEN010244	TUBE-DISCHARGE	1
4	M2867	COMPRESSION FITTING, STRAIGHT	1



# Discharge Piping – Horizontal, with Aftercooler (optional)



411CAS810-00  
Ref Drawing

## Discharge Piping – Horizontal, with Aftercooler (optional)

### DISCHARGE PIPING - BASE MOUNT, WITH AFTERCOOLER

**424CAS4022**

1	SE541	COMPRESSION NUT	1
2	SE542	COMPRESSION FERRULE	1
3	P10143B	TUBE-DISCHARGE, UPPER	1
4	M2288	COMPRESSION FITTING, ELBOW	2
5	M3424 (NOT SHOWN)	NUT	2
6	M3471 (NOT SHOWN)	SCREW	2
7	CC1032600 (NOT SHOWN)	COUPLING, BRACKETED	1

### DISCHARGE PIPING - 30GL HORIZONTAL, WITH AFTERCOOLER

**414CAS4022**

1	SE541	COMPRESSION NUT	1
2	SE542	COMPRESSION FERRULE	1
3	P10143B	TUBE-DISCHARGE, UPPER	1
4	M2288	COMPRESSION FITTING, ELBOW	2
5	TEN010160	TUBE-DISCHARGE, LOWER	1
6	M2867	COMPRESSION FITTING, STRAIGHT	1

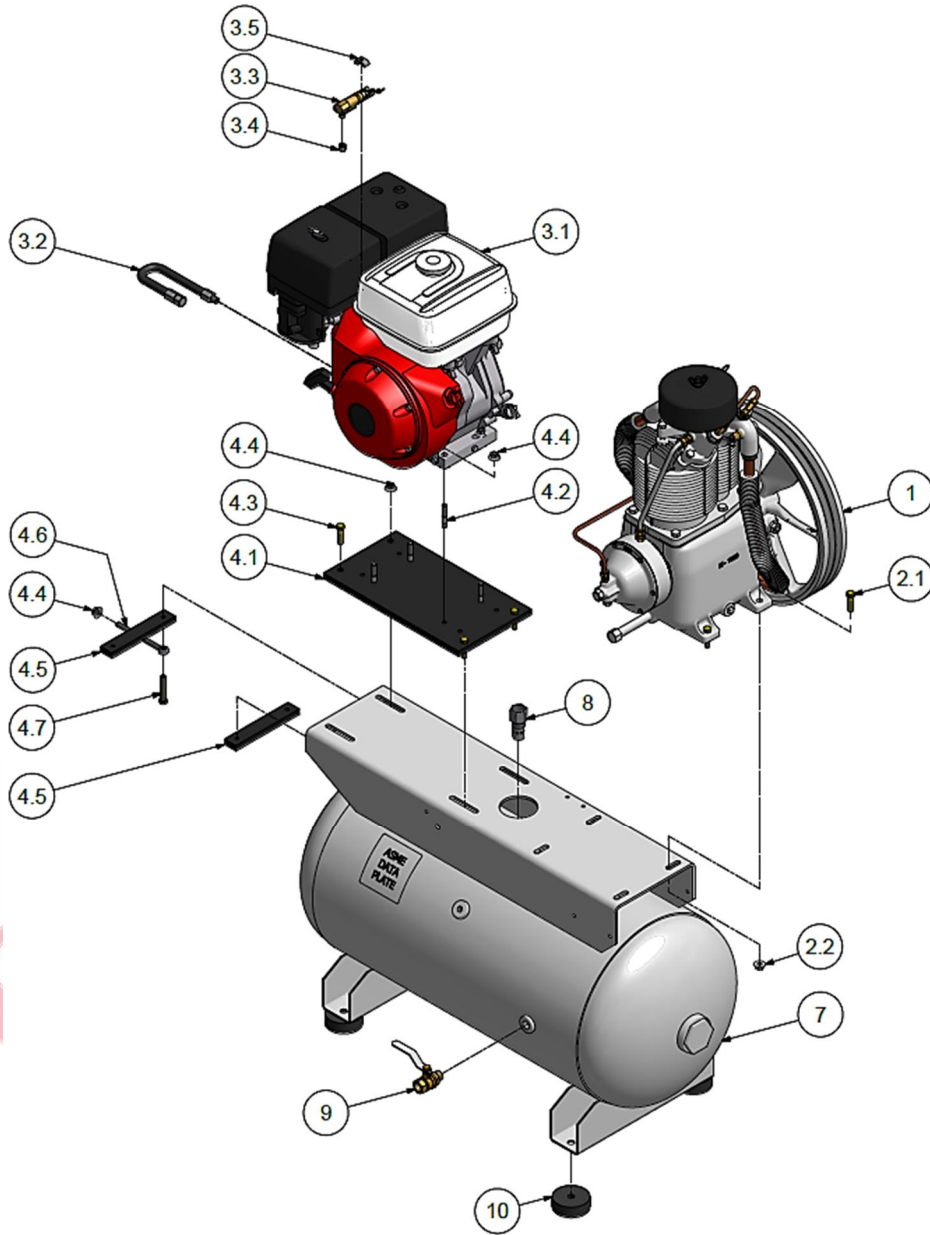
### DISCHARGE PIPING - 60-80-120GL HORIZONTAL, WITH AFTERCOOLER

**416CAS4022**

1	SE541	COMPRESSION NUT	1
2	SE542	COMPRESSION FERRULE	1
3	P10143B	TUBE-DISCHARGE, UPPER	1
4	M2288	COMPRESSION FITTING, ELBOW	2
5	TEN010171	TUBE-DISCHARGE, LOWER	1
6	M2350	COMPRESSION FITTING, ELBOW	1

## Section 4 – Engine Packages

### Horizontal Package – Honda Gas Engine



421CAS810-00  
Ref Drawing

## Horizontal Package – Honda Gas Engine

### COMPRESSOR

**R2-30A**

1	R2-30A-EP01	R15 COMPRESSOR, ENGINE DRIVEN	1
---	-------------	-------------------------------	---

### COMPRESSOR MOUNTING

**401CAS4017**

2.1	M3460	SCREW	4
2.2	M3483	NUT	4

### ENGINE

**303CAE4013**

3.1	VP1097010	HONDA ENGINE, 13HP	1
3.2	VP1096045	OIL DRAIN	1
3.3	VP1096614	THROTTLE CONTROL	1
3.4	M2959	NUT & FERRULE	1
3.5	306CAE017	BRACKET, THROTTLE CONTROL	1

### ENGINE MOUNTING

**406CAS4015**

4.1	300CAE247	MOTOR PLATE	1
4.2	VP1105236	STUD	4
4.3	M3460	SCREW	3
4.4	M3483	NUT	6
4.5	300CAE145	MOTOR MOUNTING BRACKET	2
4.6	VP1096404	EYE BOLT	1
4.7	655ED09AZ	SCREW	1

### HORIZONTAL AIR RECEIVER / BASE MOUNT

7	TEN005522	RECEIVER, 30 GL HORIZONTAL, 200PSI	1
7	CC1096721	RECEIVER, 60 GL HORIZONTAL, 200PSI	1
7	CC1096723	RECEIVER, 80 GL HORIZONTAL, 200PSI	1
7	300CAE285	BASE MOUNT PLATE, ENGINE DRIVE (not shown)	1

### CHECK VALVE

8	P05822A	CHECK VALVE	1
---	---------	-------------	---

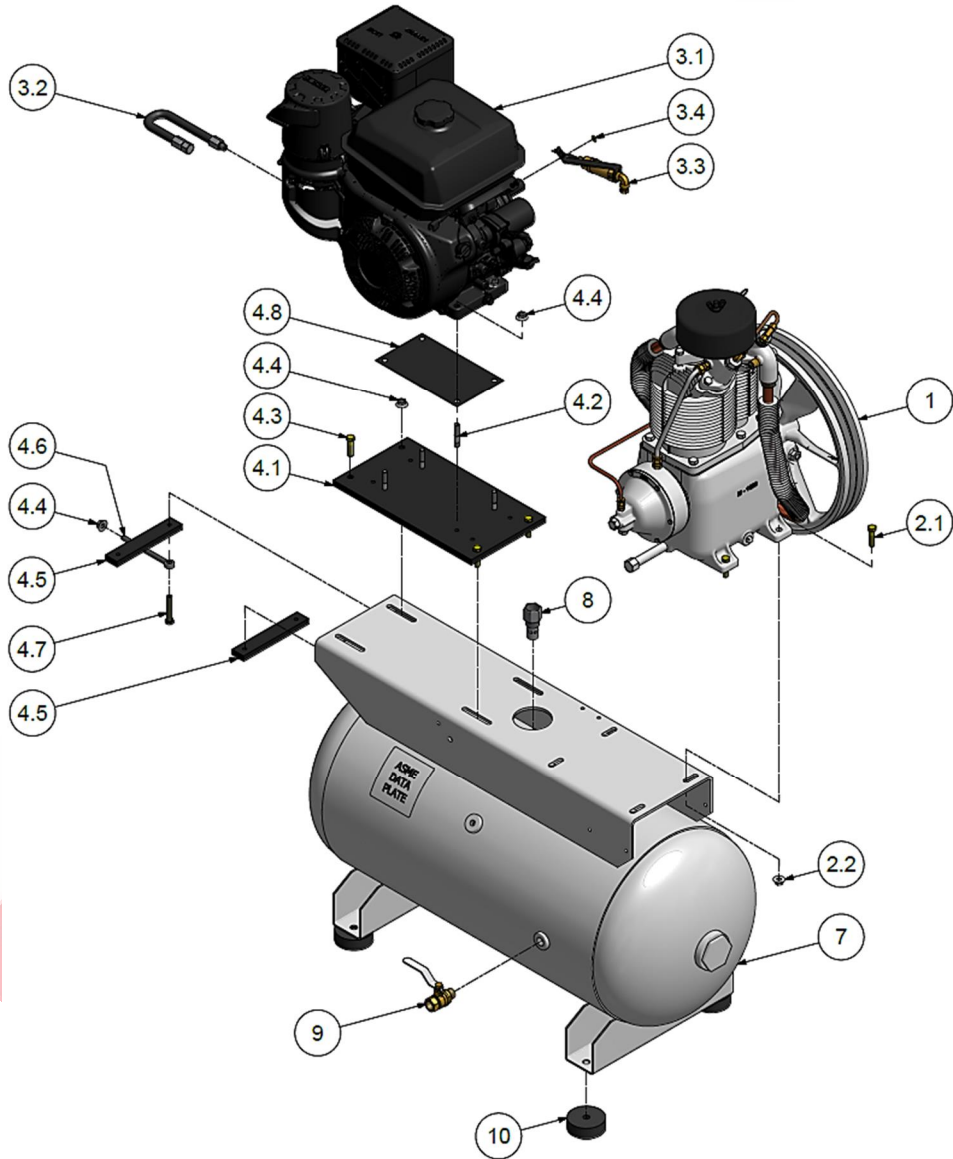
### BALL VALVE

9	M3590	BALL VALVE	1
---	-------	------------	---

### VIBRATION ISOLATORS

10	P14607A	ISOLATOR,VIBRATION,3"DIA.	4
----	---------	---------------------------	---

# Horizontal Package – Kohler Gas Engine



422CAS810-00  
Ref Drawing

## Horizontal Package – Kohler Gas Engine

### COMPRESSOR

**R2-30A**

1	R2-30A-EP01	R15 COMPRESSOR, ENGINE DRIVEN	1
---	-------------	-------------------------------	---

### COMPRESSOR MOUNTING

**401CAS4017**

2.1	M3460	SCREW	4
2.2	M3483	NUT	4

### ENGINE

**301CAE4013**

3.1	VP1097028	KOHLER ENGINE,14HP	1
3.2	VP1096045	OIL DRAIN	1
3.3	TEN002530	THROTTLE CONTROL, WITH BRACKET	1
3.4	95B1Z	WASHER	1

### ENGINE MOUNTING

**406CAS4015**

4.1	300CAE247	MOTOR PLATE	1
4.2	VP1105236	STUD	4
4.3	M3460	SCREW	3
4.4	M3483	NUT	6
4.5	300CAE145	MOTOR MOUNTING BRACKET	2
4.6	VP1096404	EYE BOLT	1
4.7	655ED09AZ	SCREW	1
4.8	301CAE247	PLATE, MOTOR, KOHLER SHIM	1

### HORIZONTAL AIR RECEIVER / BASE MOUNT

7	TEN005522	RECEIVER, 30 GL HORIZONTAL, 200PSI	1
7	CC1096721	RECEIVER, 60 GL HORIZONTAL, 200PSI	1
7	CC1096723	RECEIVER, 80 GL HORIZONTAL, 200PSI	1
7	300CAE285	BASE MOUNT PLATE, ENGINE DRIVE (not shown)	1

### CHECK VALVE

8	P05822A	CHECK VALVE	1
---	---------	-------------	---

### BALL VALVE

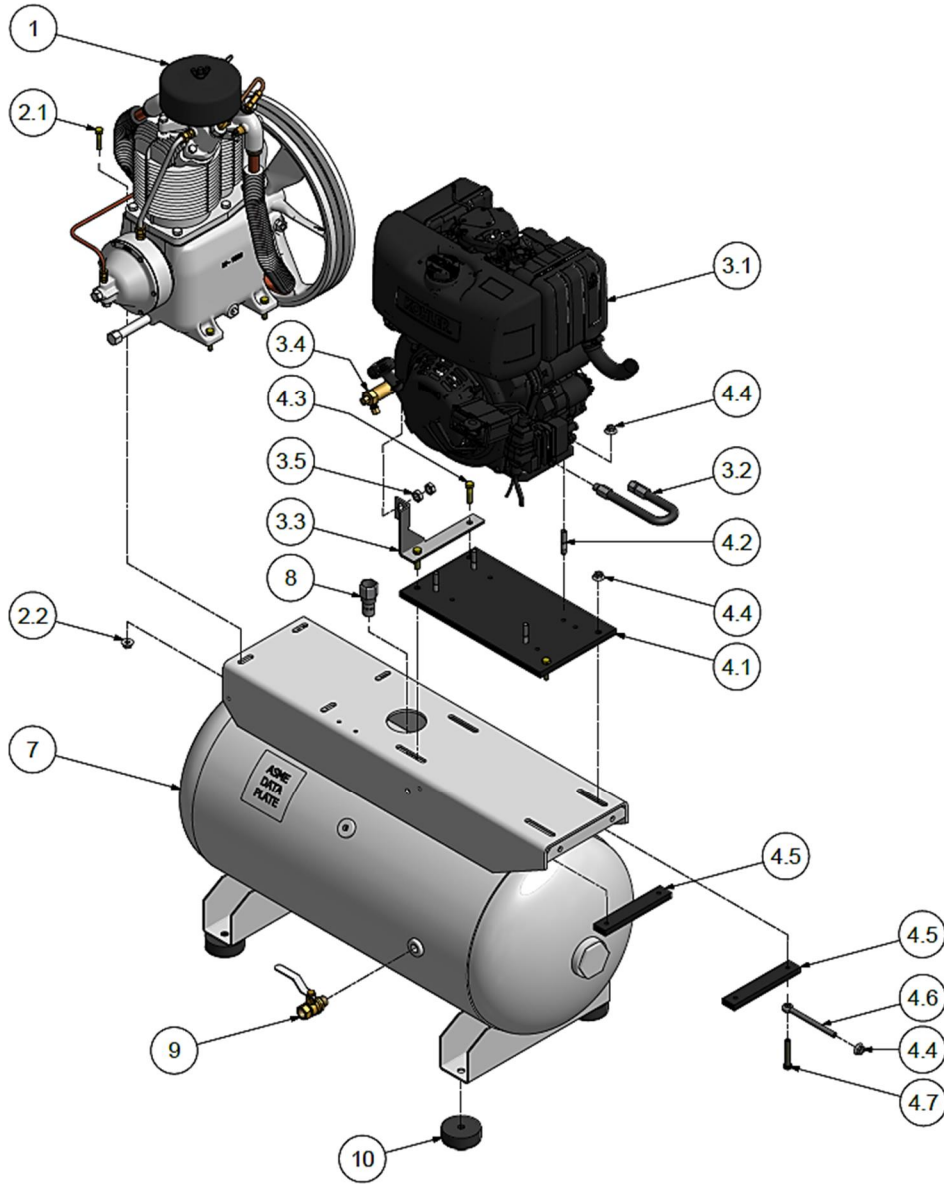
9	M3590	BALL VALVE	1
---	-------	------------	---

### VIBRATION ISOLATORS

10	P14607A	ISOLATOR,VIBRATION,3"DIA.	4
----	---------	---------------------------	---



# Horizontal Package – Kohler Diesel Engine



423CAS810-00  
Ref Drawing

## Horizontal Package – Kohler Diesel Engine

### COMPRESSOR

**R2-30A**

1	R2-30A-EP01	R15 COMPRESSOR, ENGINE DRIVEN	1
---	-------------	-------------------------------	---

### COMPRESSOR MOUNTING

**401CAS4017**

2.1	M3460	SCREW	4
2.2	M3483	NUT	4

### 9HP KOHLER DIESEL ENGINE

**319CAE4013**

3.1	VP1136277	KOHLER ENGINE, 9.1HP	1
3.2	VP1099934	OIL DRAIN	1
3.3	CC1134655	BRACKET, THROTTLE CONTROL	1
3.4	VP1135897	THROTTLE CONTROL	1
3.5	50W5	JAM NUT	2

### ENGINE MOUNTING

**406CAS4015**

4.1	300CAE247	MOTOR PLATE	1
4.2	VP1105236	STUD	4
4.3	M3460	SCREW	3
4.4	M3483	NUT	6
4.5	300CAE145	MOTOR MOUNTING BRACKET	2
4.6	VP1096404	EYE BOLT	1
4.7	655ED09AZ	SCREW	1

### HORIZONTAL AIR RECEIVER / BASE MOUNT

7	TEN005523	RECEIVER, 30 GL HORIZONTAL, 200PSI	1
7	CC1111231	RECEIVER, 80 GL HORIZONTAL, 200PSI	1
7	300CAE285	BASE MOUNT PLATE, ENGINE DRIVE (not shown)	1

### CHECK VALVE

8	P05822A	CHECK VALVE	1
---	---------	-------------	---

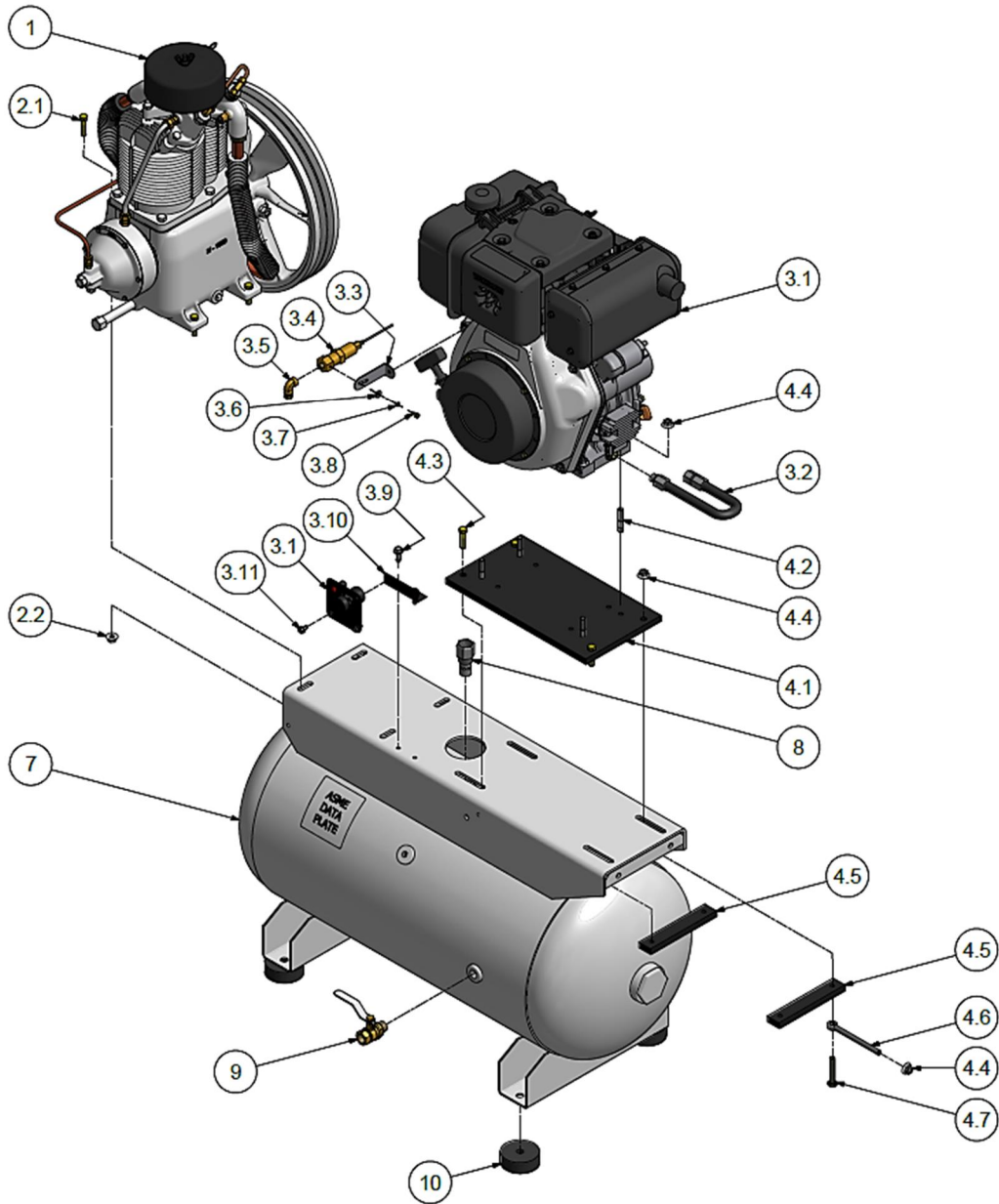
### BALL VALVE

9	M3590	BALL VALVE	1
---	-------	------------	---

### VIBRATION ISOLATORS

10	P14607A	ISOLATOR,VIBRATION,3"DIA.	4
----	---------	---------------------------	---

# Horizontal Package – Yanmar Diesel Engine



433CAS810-00  
Ref Drawing

## Horizontal Package – Yanmar Diesel Engine

### COMPRESSOR

R2-30A

1	R2-30A-EP01	R15 COMPRESSOR, ENGINE DRIVEN	1
---	-------------	-------------------------------	---

### COMPRESSOR MOUNTING

401CAS4017

2.1	M3460	SCREW	4
2.2	M3483	NUT	4

### ENGINE

320CAE4013

3.1	VP1103634	YANMAR ENGINE, 10HP	1
3.2	VP1101377	OIL DRAIN	1
3.3	303CAE017	BRACKET, THROTTLE CONTROL	1
3.4	VP1097563	THROTTLE CONTROL	1
3.5	86E229	TUBE FITTING - ELBOW	1
3.6	121097Z	WASHER	1
3.7	95B13Z	LOCKWASHER	1
3.8	VP1096937	SCREW	1
3.9	M1454	SCREW	2
3.10	304CAE017	BRACKET, KEY START	1
3.11	75LM47	SCREW	2

### ENGINE MOUNTING

406CAS4015

4.1	300CAE247	MOTOR PLATE	1
4.2	VP1105236	STUD	4
4.3	M3460	SCREW	3
4.4	M3483	NUT	6
4.5	300CAE145	MOTOR MOUNTING BRACKET	2
4.6	VP1096404	EYE BOLT	1
4.7	655ED09AZ	SCREW	1

### HORIZONTAL AIR RECEIVER / BASE MOUNT

7	TEN005523	RECEIVER, 30 GL HORIZONTAL, 200PSI	1
7	CC1111231	RECEIVER, 80 GL HORIZONTAL, 200PSI	1
7	300CAE285	BASE MOUNT PLATE, ENGINE DRIVE (not shown)	1

### CHECK VALVE

8	P05822A	CHECK VALVE	1
---	---------	-------------	---

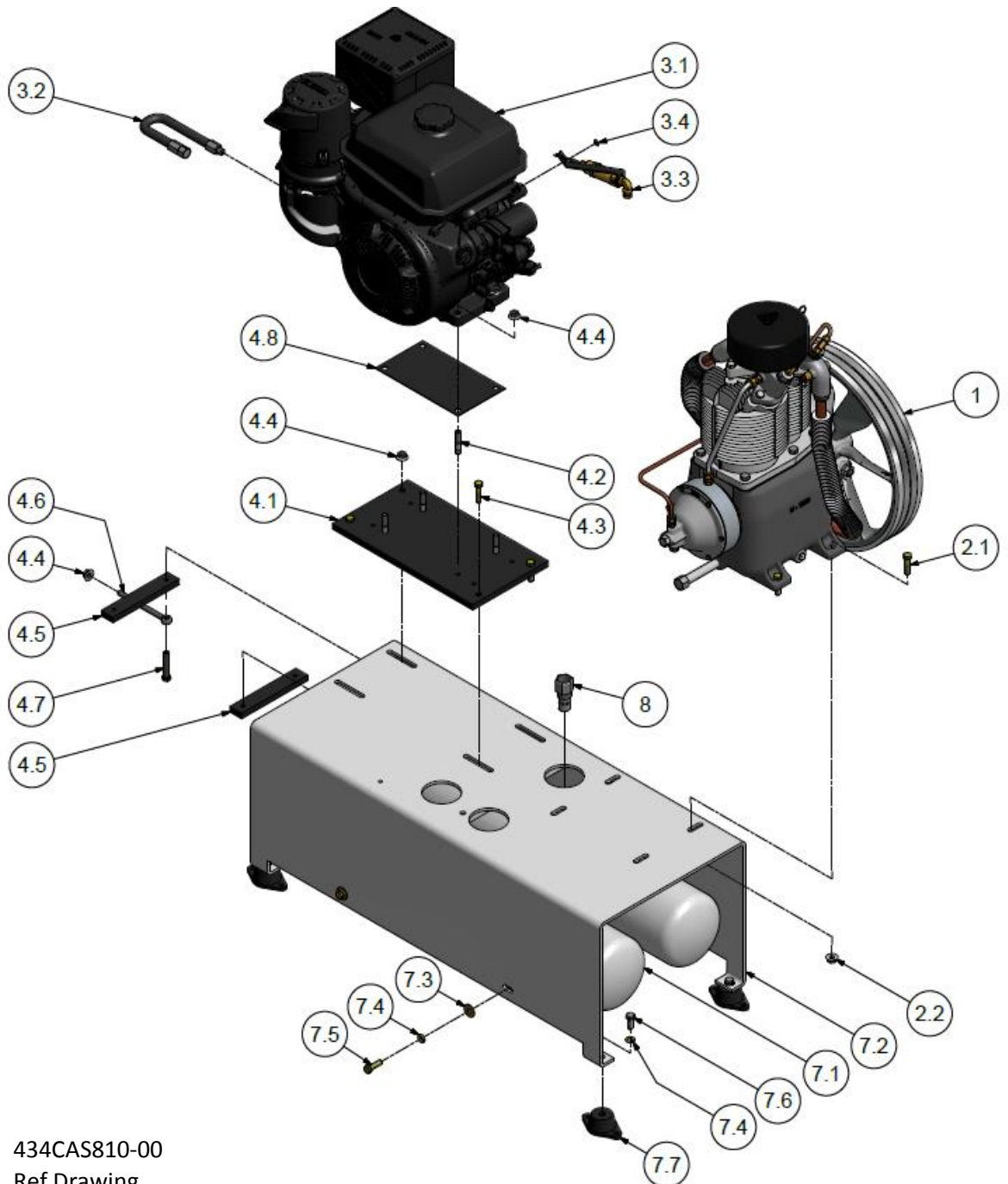
### BALL VALVE

9	M3590	BALL VALVE	1
---	-------	------------	---

### VIBRATION ISOLATORS

10	P14607A	ISOLATOR,VIBRATION,3"DIA.	4
----	---------	---------------------------	---

# Low Profile Package – Honda Gas Engine



434CAS810-00  
Ref Drawing

## Low Profile Package – Honda Gas Engine

### COMPRESSOR

R2-30A

1	R2-30A-EP01	R15 COMPRESSOR, ENGINE DRIVEN	1
---	-------------	-------------------------------	---

### COMPRESSOR MOUNTING

401CAS4017

2.1	M3460	SCREW	4
2.2	M3483	NUT	4

### ENGINE

303CAE4013

3.1	VP1097010	HONDA ENGINE, 13HP	1
3.2	VP1096045	OIL DRAIN	1
3.3	VP1096614	THROTTLE CONTROL	1
3.4	M2959	NUT & FERRULE	1
3.5	306CAE017	BRACKET, THROTTLE CONTROL	1

### ENGINE MOUNTING

406CAS4015

4.1	300CAE247	MOTOR PLATE	1
4.2	VP1105236	STUD	4
4.3	M3460	SCREW	3
4.4	M3483	NUT	6
4.5	300CAE145	MOTOR MOUNTING BRACKET	2
4.6	VP1096404	EYE BOLT	1
4.7	655ED09AZ	SCREW	1

### GRP-TANK, LOW PROFILE

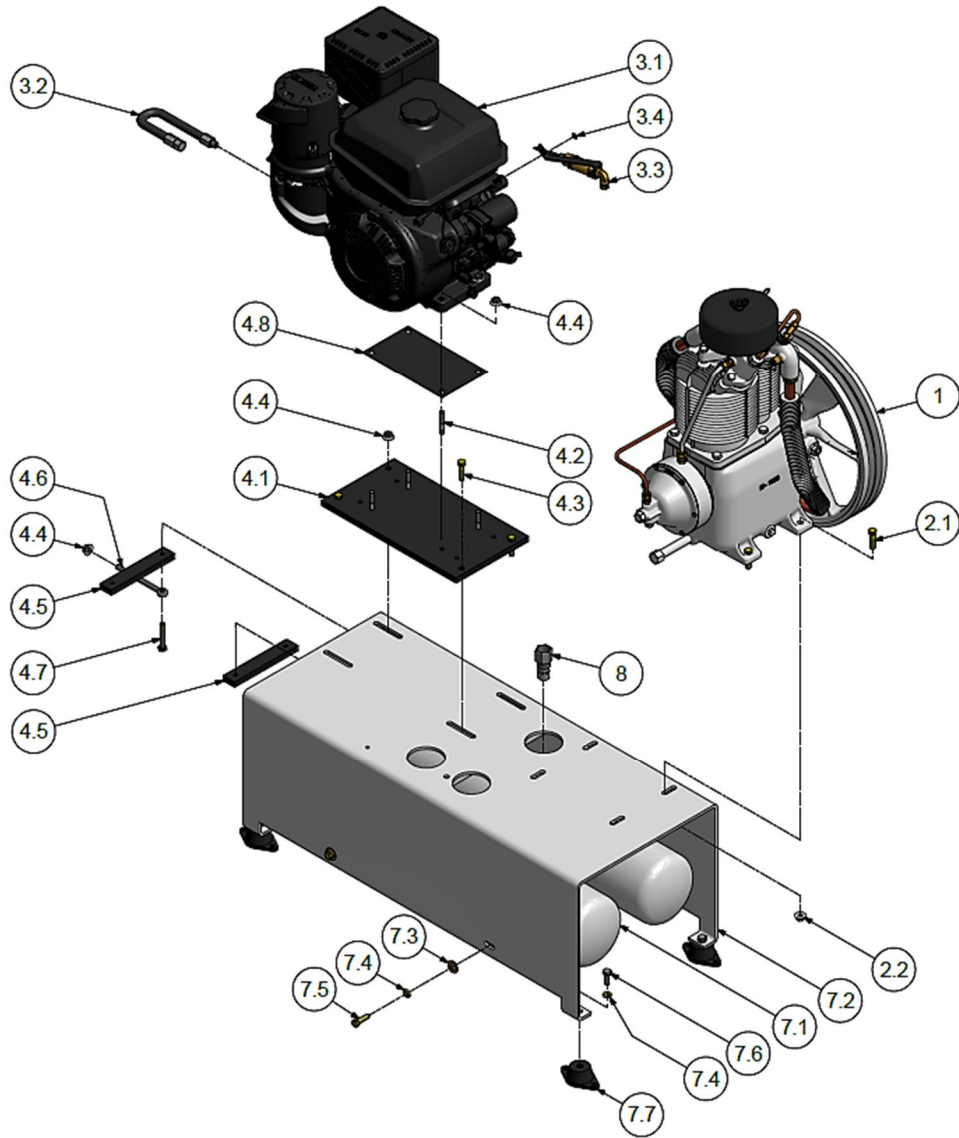
400CAE4036

7.1	CC1097097	RECEIVER, 8GL LOW PROFILE, 200 PSIG	1
7.2	301CAE285	BASE, LOW PROFILE	1
7.3	M3055	WASHER	4
7.4	M3052	LOCK WASHER	8
7.5	M3460	SCREW	4
7.6	655ED040Z	SCREW	4
7.7	P09808A	ISOLATOR, VIBRATION	4

### CHECK VALVE

8	P05822A	CHECK VALVE	1
---	---------	-------------	---

# Low Profile Package – Kohler Gas Engine



422CAS810-00  
Ref Drawing



## Low Profile Package – Kohler Gas Engine

### COMPRESSOR

R2-30A

1	R2-30A-EP01	R15 COMPRESSOR, ENGINE DRIVEN	1
---	-------------	-------------------------------	---

### COMPRESSOR MOUNTING

401CAS4017

2.1	M3460	SCREW	4
2.2	M3483	NUT	4

### ENGINE

301CAE4013

3.1	VP1097028	KOHLER ENGINE,14HP	1
3.2	VP1096045	OIL DRAIN	1
3.3	TEN002530	THROTTLE CONTROL, WITH BRACKET	1
3.4	95B1Z	WASHER	1

### ENGINE MOUNTING

406CAS4015

4.1	300CAE247	MOTOR PLATE	1
4.2	VP1105236	STUD	4
4.3	M3460	SCREW	3
4.4	M3483	NUT	6
4.5	300CAE145	MOTOR MOUNTING BRACKET	2
4.6	VP1096404	EYE BOLT	1
4.7	655ED09AZ	SCREW	1
4.8	301CAE247	PLATE, MOTOR, KOHLER SHIM	1

### GRP-TANK, LOW PROFILE

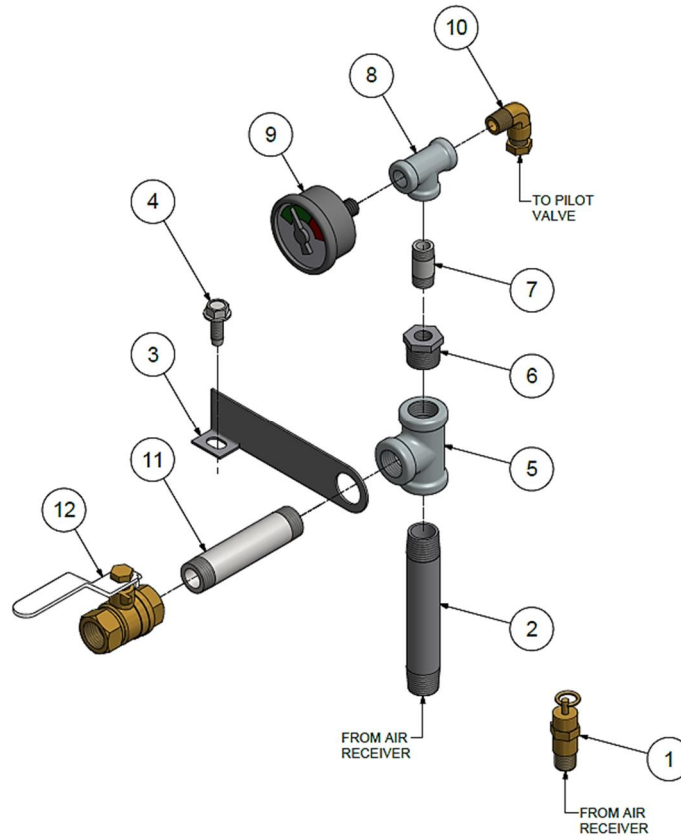
400CAE4036

7.1	CC1097097	RECEIVER, 8GL LOW PROFILE, 200 PSIG	1
7.2	301CAE285	BASE, LOW PROFILE	1
7.3	M3055	WASHER	4
7.4	M3052	LOCK WASHER	8
7.5	M3460	SCREW	4
7.6	655ED040Z	SCREW	4
7.7	P09808A	ISOLATOR, VIBRATION	4

### CHECK VALVE

8	P05822A	CHECK VALVE	1
---	---------	-------------	---

## Ball Valve Group – Low Profile Gas



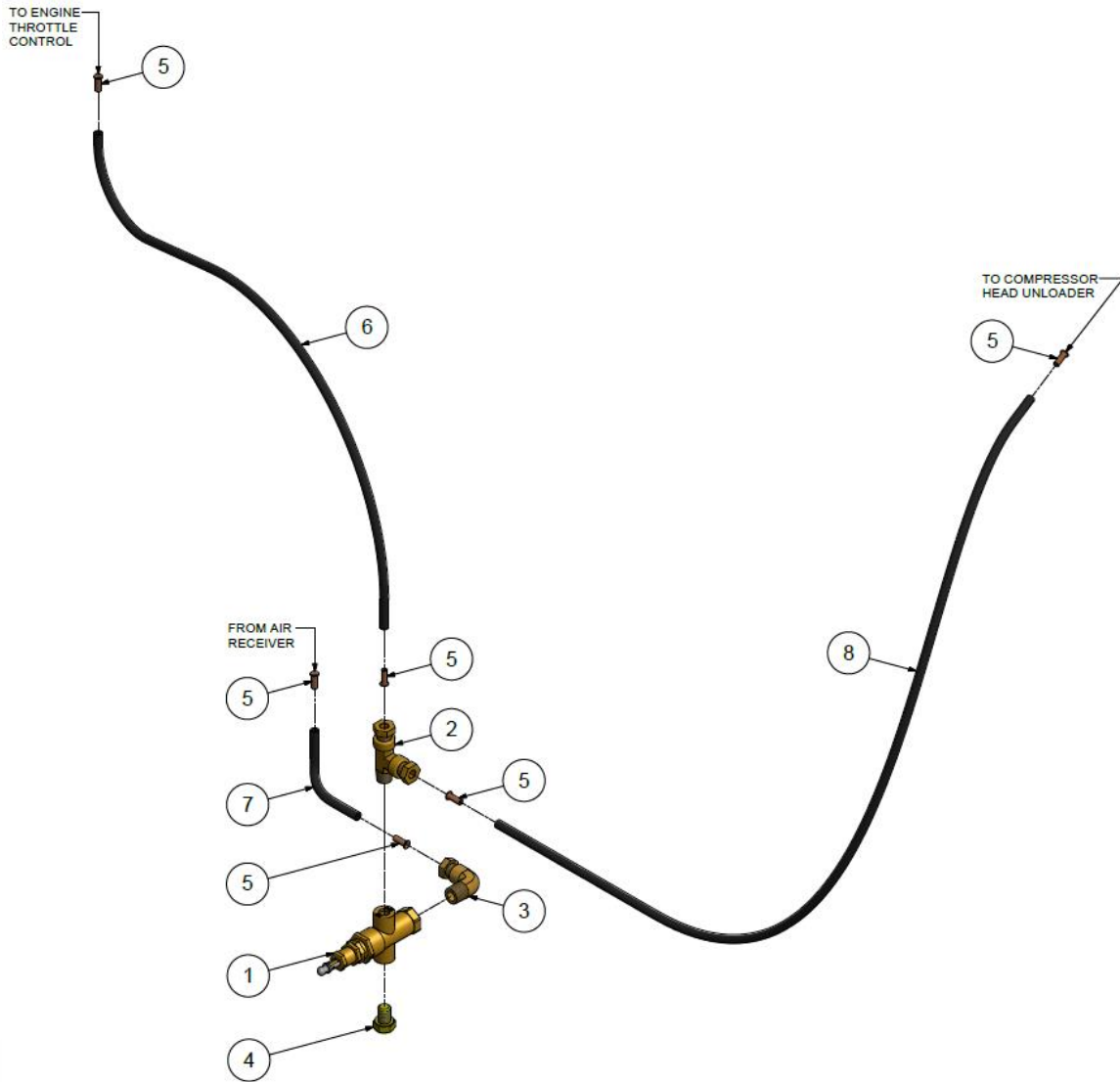
435CAS810-00  
Ref Drawing

### GRP-TANK,LOW PROFILE,1/2" BALL VALVE

408CAS4061

1	M2843	PRESSURE RELIEF VALVE, 200 PSIG	1
2	63F39	PIPE NIPPLE	1
3	P08733A	BRACKET	1
4	M1454	SCREW	1
5	M934B	TEE	1
6	M1318	BUSHING	1
7	P08798A	PIPE NIPPLE	1
8	M1003B	PIPE TEE	1
9	M519C	PRESSURE GAUGE	1
10	86A40	COMPRESSION FITTING, ELBOW	1
11	M1051B	PIPE NIPPLE	1
12	M2685	BALL VALVE	1

## Control Group – Low Profile Gas



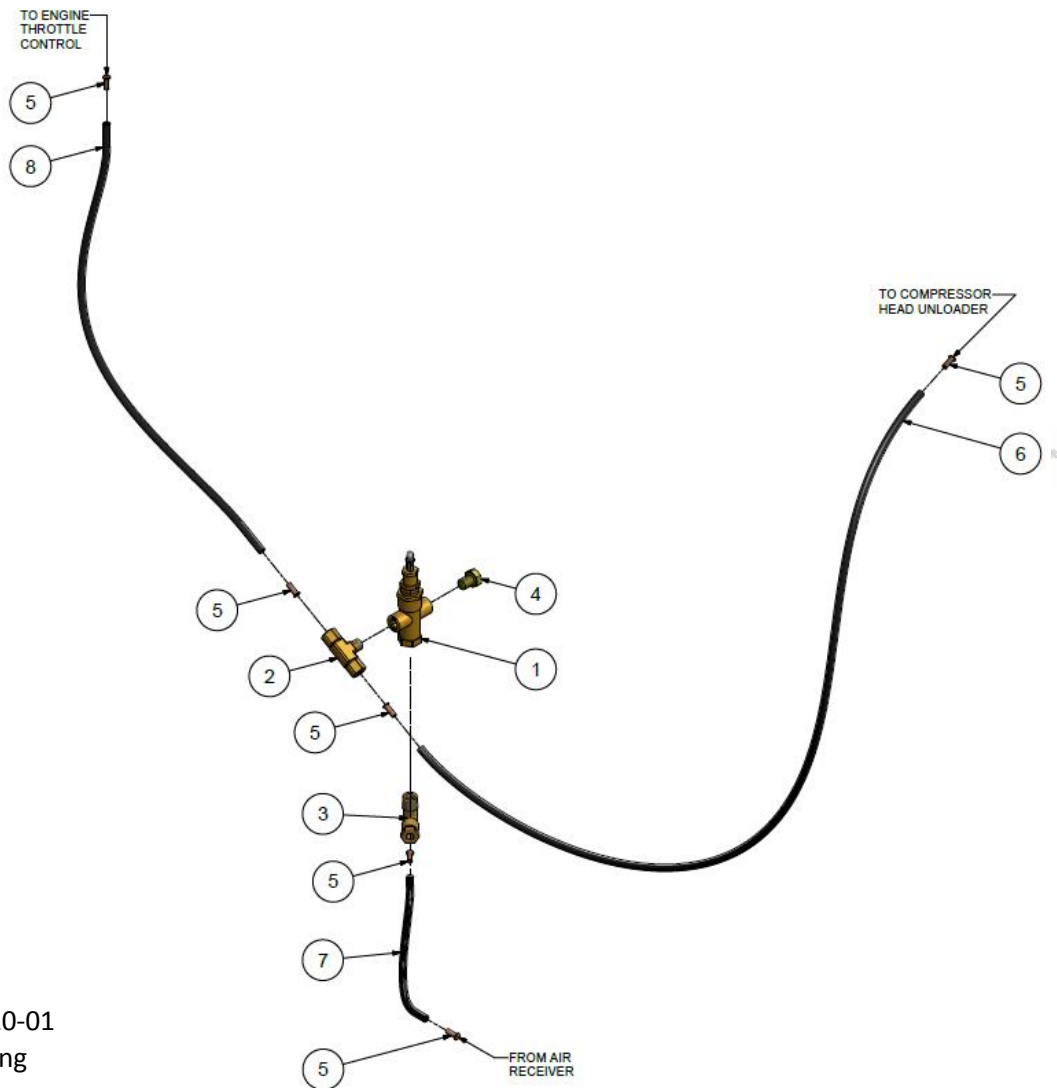
436CAS810-00  
Ref Drawing

### GRP-CONTROL,175PSI (8GL - GAS)

**302CAE4052**

Part Number	Description	Quantity
1	VP1089041 PILOT VALVE,175PSI,UNLOADER LEVER	1
2	86E235 TUBE FITTING, TEE	1
3	86A40 TUBE FITTING, ELBOW	1
4	M3465 SCREW	1
5	P10118A TUBE INSERT	6
6	P08084A PLASTIC TUBING	2.63 FT
7	P08084A PLASTIC TUBING	0.34 FT
8	P08084A PLASTIC TUBING	1.57 FT

## Control Group – Horizontal Gas



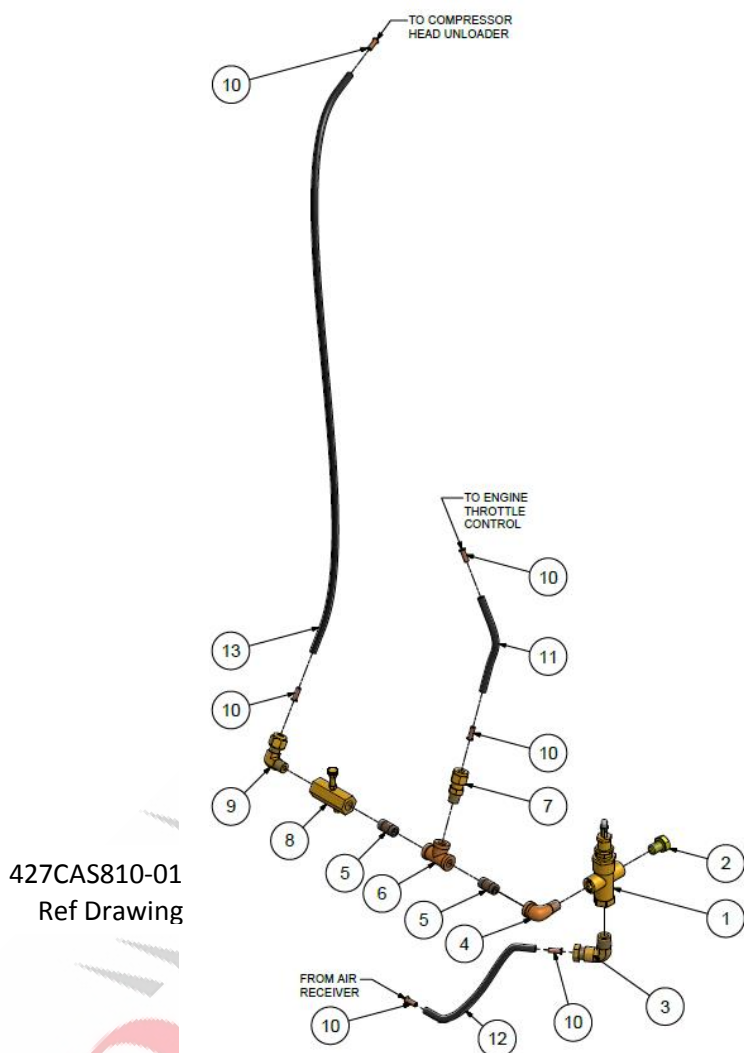
426CAS810-01  
Ref Drawing

### GRP-CONTROL,175PSI (30GL, 60GL, 80GL, BASE - GAS)

**300CAE4052**  
**305CAE4052**

1	VP1089041	PILOT VALVE,175PSI,UNLOADER LEVER	1
2	M2879	TUBE FITTING, TEE	1
3	86A40	TUBE FITTING, 90 DEG. ELBOW	1
4	M3465	SCREW	1
5	P10118A	TUBE INSERT	6
6	P08084A	PLASTIC TUBING	3.4 FT
7	P08084A	PLASTIC TUBING	0.65 FT
8	P08084A	PLASTIC TUBING	1.7 FT

## Control Group – Horizontal Diesel

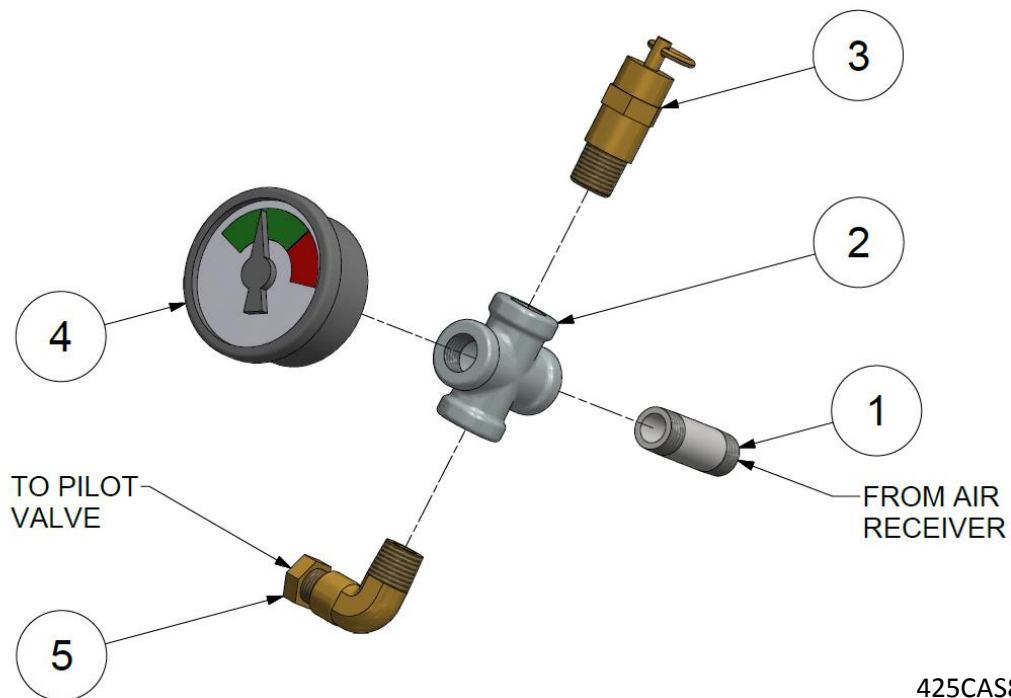


### GRP-CONTROL,175PSI (30GL, 80GL, BASE - DIESEL)

307CAE4052  
309CAE4052

1	VP1089041	PILOT VALVE,175PSI,UNLOADER LEVER	1
2	M3465	SCREW	1
3	86A40	TUBE FITTING, 90 DEG. ELBOW	1
4	M3251	PIPE ELBOW	1
5	M3174	PIPE NIPPLE	2
6	M3474	PIPE TEE	1
7	M2863	TUBE FITTING, STRAIGHT	1
8	P09263A	LOAD DELAY VALVE	1
9	M2868	TUBE FITTING, ELBOW	1
10	P10118A	TUBE INSERT	6
11	P08084A	PLASTIC TUBING	0.39 FT
12	P08084A	PLASTIC TUBING	0.75 FT
13	P08084A	PLASTIC TUBING	1.9 FT

## Gauge / Relief Valve – Horizontal



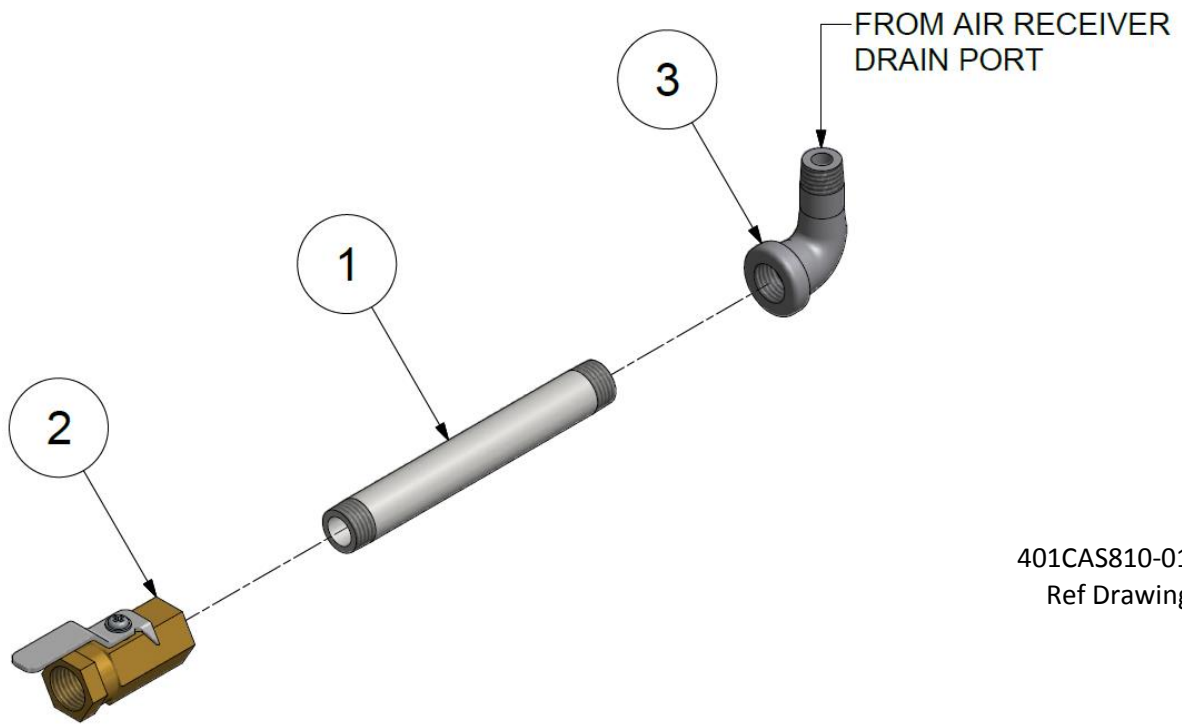
425CAS810-01  
Ref Drawing

### PRESSURE GAUGE / RELIEF VALVE (30GL, 60GL, 80GL)

**Z3819**

1	M1016B	PIPE NIPPLE	1
2	64K1	PIPE CROSS	1
3	M2843	PRESSURE RELIEF VALVE, 200 PSIG	1
4	M519C	PRESSURE GAUGE	1
5	86A40	TUBE FITTING - ELBOW	1

## Tank Drain – Manual



401CAS810-01  
Ref Drawing

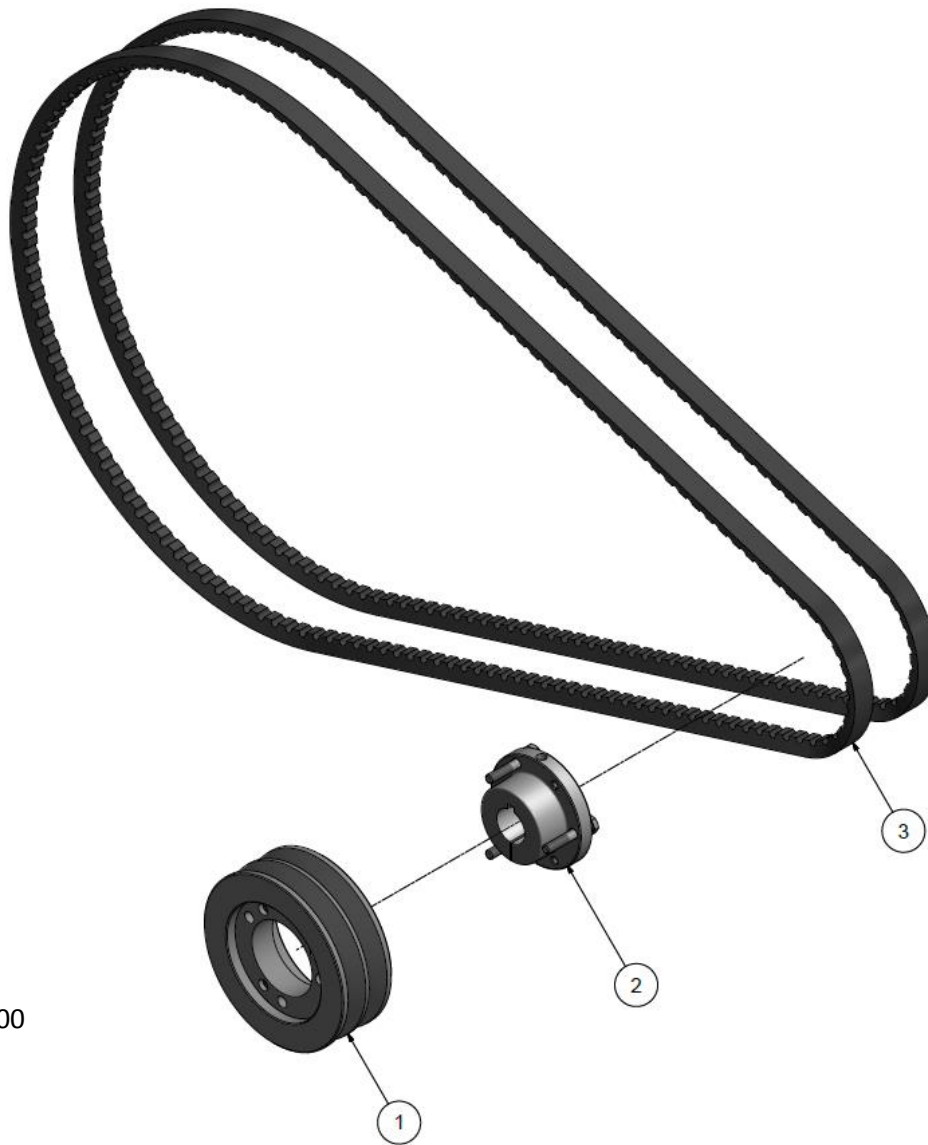
### MANUAL TANK DRAIN (ENGINE)

404CAS4027

1	M1016B	PIPE NIPPLE	1
2	VP1022988	BALL VALVE	1
3	M980B	PIPE ELBOW	1



# Power Transmission



432CAS810-00  
Ref Drawing

## TRANSMISSION GROUP (GAS)

305CAE4013

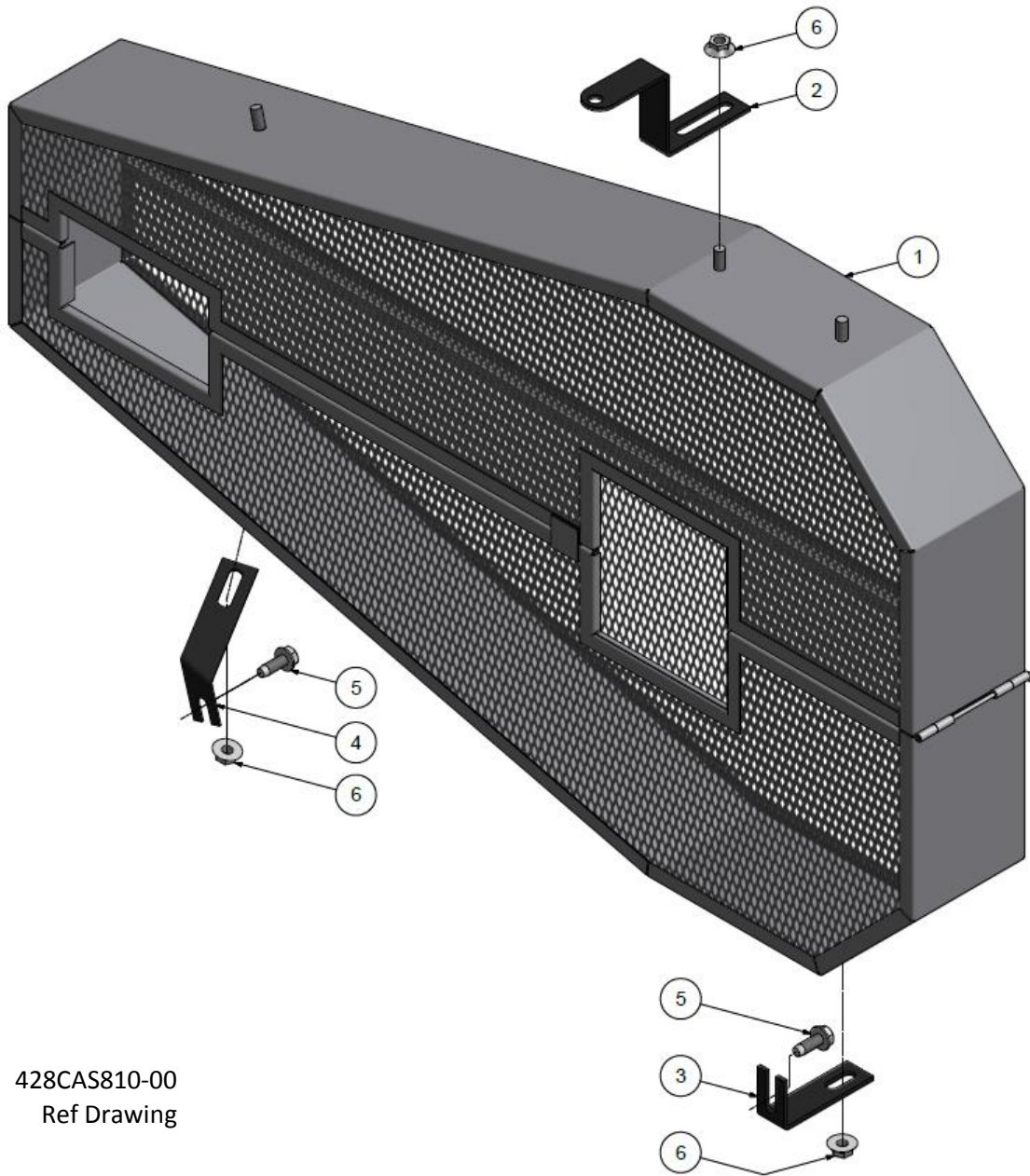
1	VP1045266	PULLEY,4.95OD,SDS,2GR,A/B	1
2	22F16SDS	BUSHING,PULLEY,SDS,1" BORE	1
3	13E544	V-BELT, BX71	2

## TRANSMISSION GROUP (DIESEL)

309CAE4013

1	P14046A	PULLEY,4.35OD,2GR,A/B	1
2	P09799A	BUSHING,PULLEY,SH,1"BORE	1
3	13E544	V-BELT, BX71	2

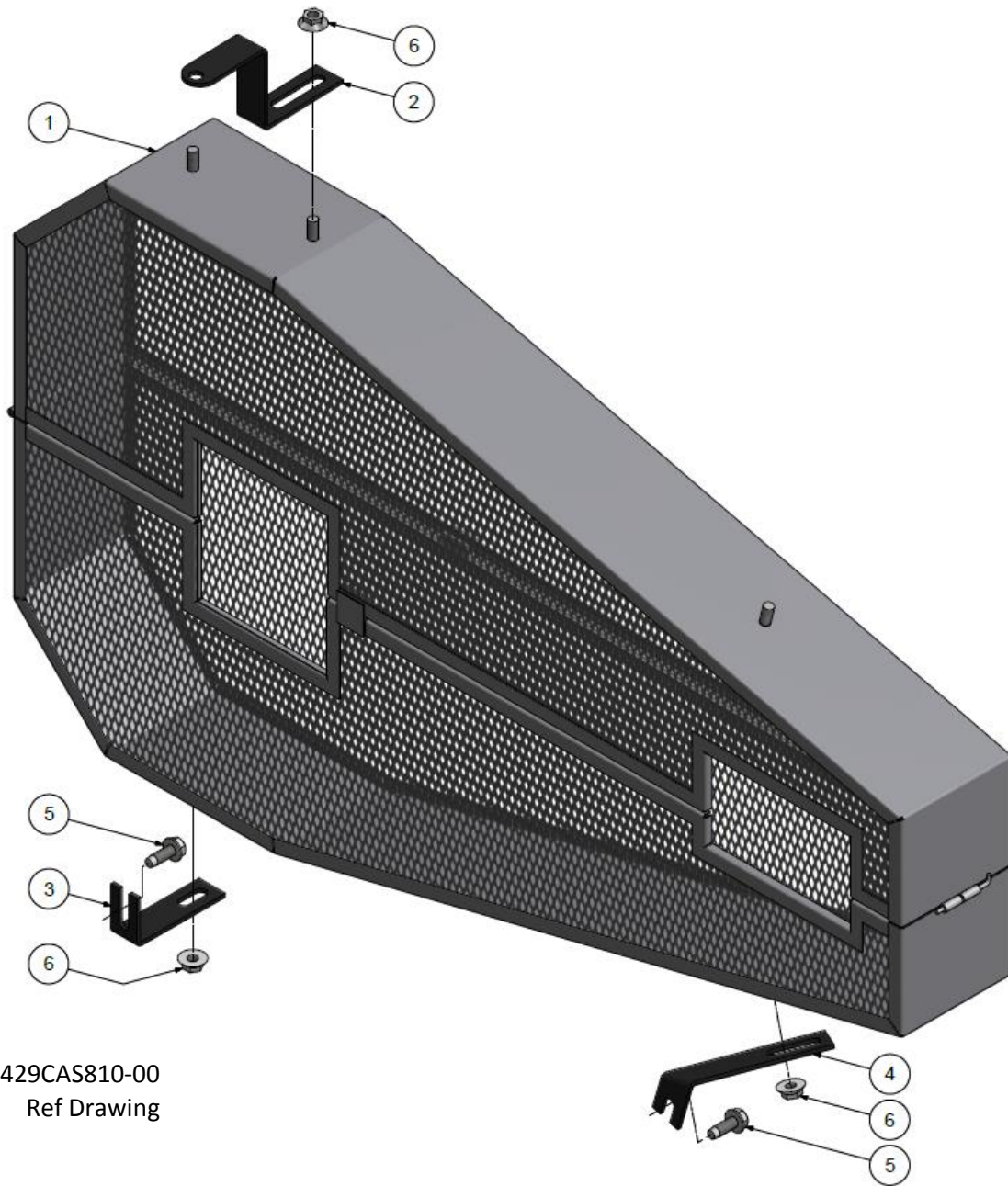
## Belt Guard – Gas Engine



428CAS810-00  
Ref Drawing

BELTGUARD GROUP - GAS			300CAE4029
1	304CAE120	BELT GUARD, ENGINE DRIVE	1
2	M855	BRACKET	1
3	M856	BRACKET	1
4	P05517A	BRACKET	1
5	M1454	SCREW	2
6	M3485	NUT	3

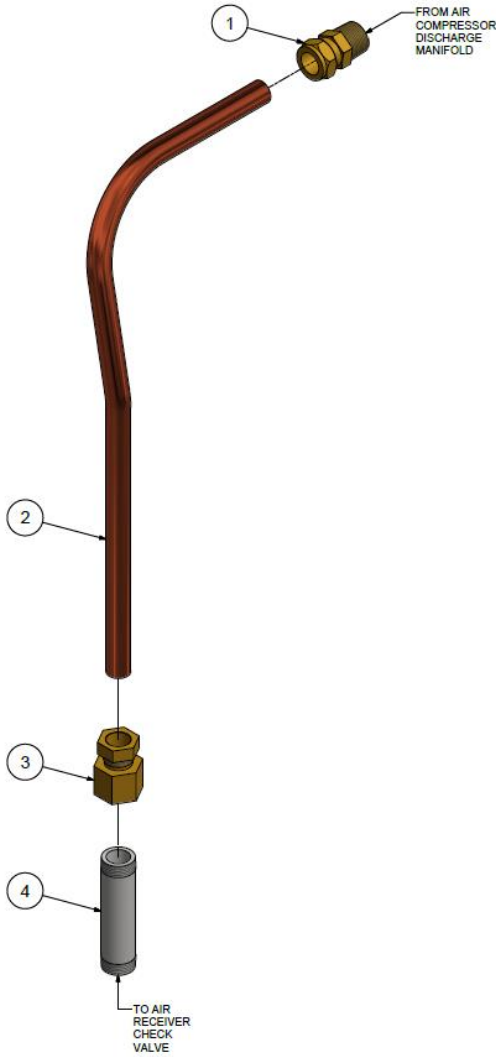
# Belt Guard – Diesel Engine



429CAS810-00  
Ref Drawing

BELTGUARD GROUP - DIESEL			301CAE4029
1	304CAE120	BELT GUARD, ENGINE DRIVE	1
2	M855	BRACKET	1
3	M856	BRACKET	1
4	CC1023978	BRACKET	1
5	M1454	SCREW	2
6	M3485	NUT	3

# Discharge Piping – Gas Engine



PROTECTED  
 VISORS Inc.

430CAS810-00  
Ref Drawing

### DISCHARGE PIPING - 8GL, GAS

**400CAE4022**

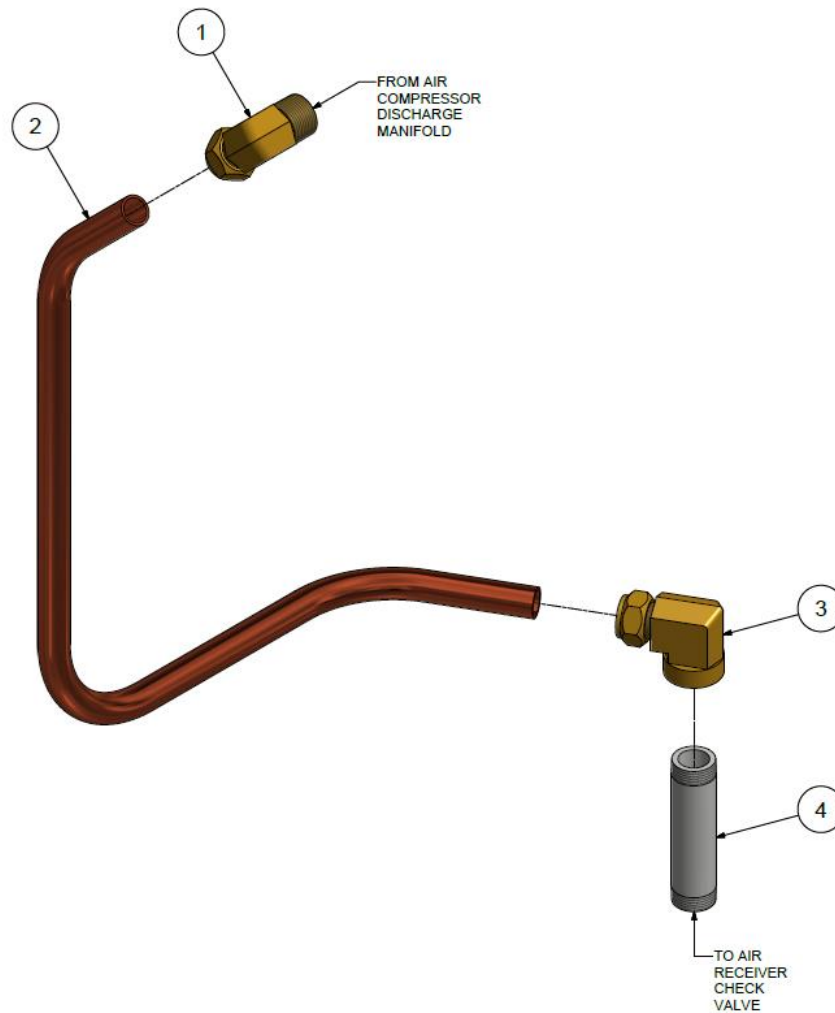
1	M2867	TUBE FITTING, STRAIGHT	1
2	301CAE857	DISCHARGE TUBE	1
3	86E279	TUBE FITTING, STRAIGHT	1
4	M478	PIPE NIPPLE	1

### DISCHARGE PIPING - 30GL, 60GL, 80GL, GAS

**429CAS4022**

1	M2867	TUBE FITTING, STRAIGHT	1
2	TEN010833	DISCHARGE TUBE	1
3	86E279	TUBE FITTING, STRAIGHT	1
4	M478	PIPE NIPPLE	1

## Discharge Piping – Diesel Engine



431CAS810-00  
Ref Drawing

### DISCHARGE PIPING - 30GL, DIESEL

430CAS4022

1	M2350	TUBE FITTING, ELBOW	1
2	TEN010834	DISCHARGE TUBE	1
3	M2398	TUBE FITTING, ELBOW	1
4	M478	PIPE NIPPLE	1

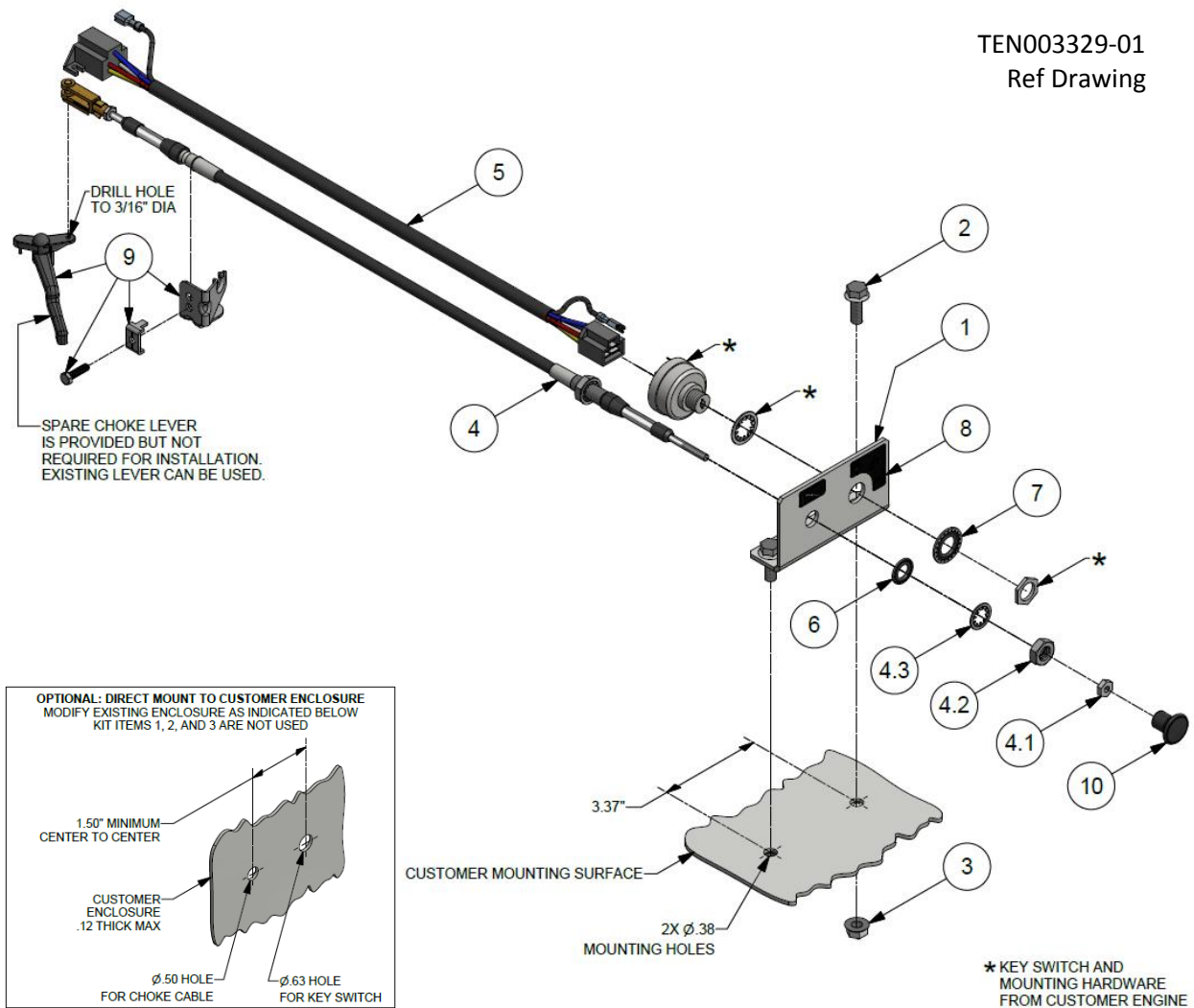
### DISCHARGE PIPING - 80GL, DIESEL (not shown)

401CAE4022

1	M2867	TUBE FITTING, STRAIGHT	2
2	302CAE857	DISCHARGE TUBE	1

## Remote Mount Choke and Key switch – Kohler 14hp (optional)

TEN003329-01  
Ref Drawing



### KIT,REMOTE MOUNT,CHOKE AND KEY SWITCH

TEN003329

Part Number	Description	Quantity
1	TEN003131 MOUNTING BRACKET	1
2	75LM327 SCREW	2
3	50AW4 NUT	2
4	TEN003086 ENGINE CHOKE CABLE	1
5	TEN003070 KEY SWITCH WIRING HARNESS	1
6	TST000122 SEAL WASHER	1
7	TST000124 SEAL WASHER	1
8	TEN004766 CHOKE / OFF-RUN-START DECAL	1
9	TEN003091 REMOTE CHOKE MOUNT KIT	1
10	TEN003077 PULL KNOB	1















\* C Q F 3 4 5 4 V E R 0 2 \*  
\*CQF3454VER02\*

**COMPRESSED**  
AIR ADVISORS  
Inc.

**COMPRESSED**  
AIR ADVISORS

Inc.

**Compressed Air Advisors, Inc.**

Phone: 877.247.2381

[info@compressedairadvisors.com](mailto:info@compressedairadvisors.com)

[www.compressedairadvisors.com](http://www.compressedairadvisors.com)



Please recycle after use.