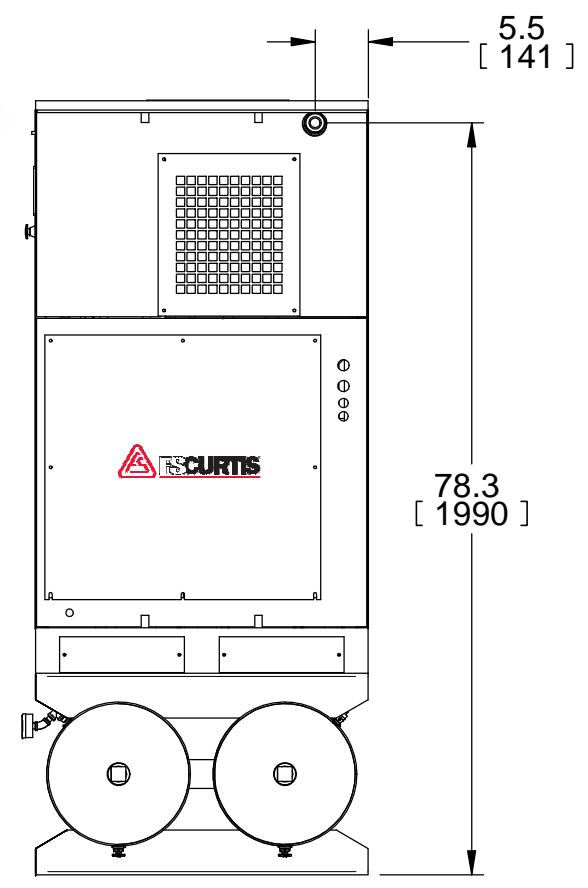
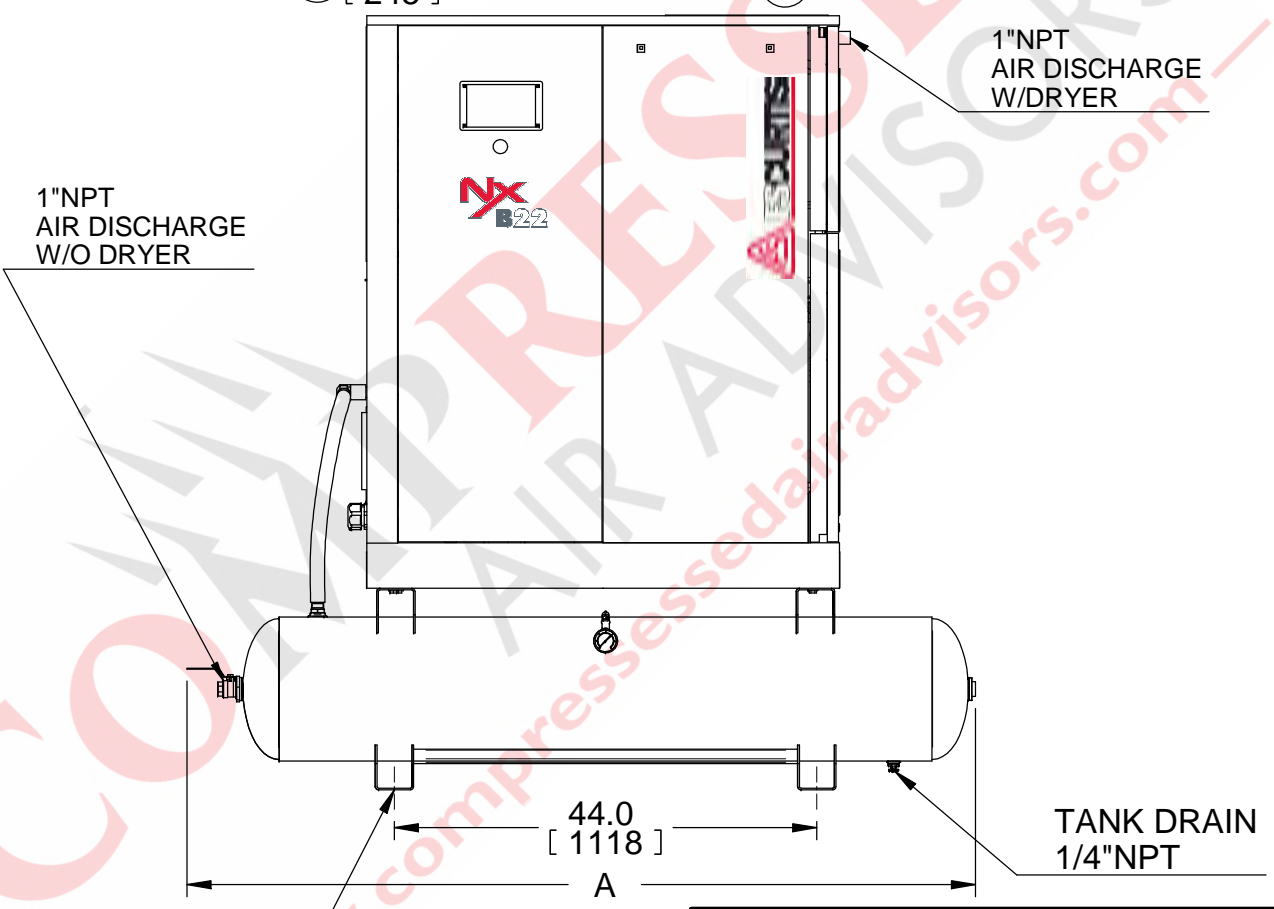
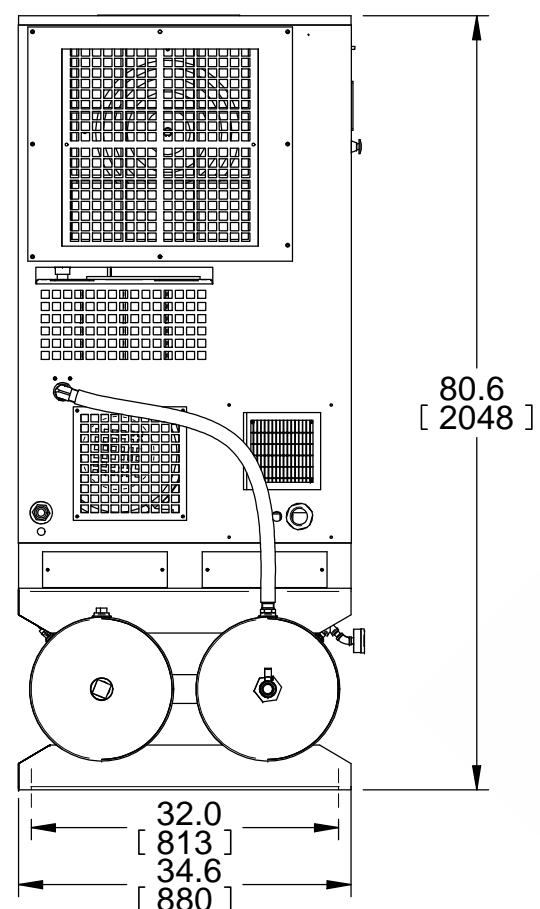
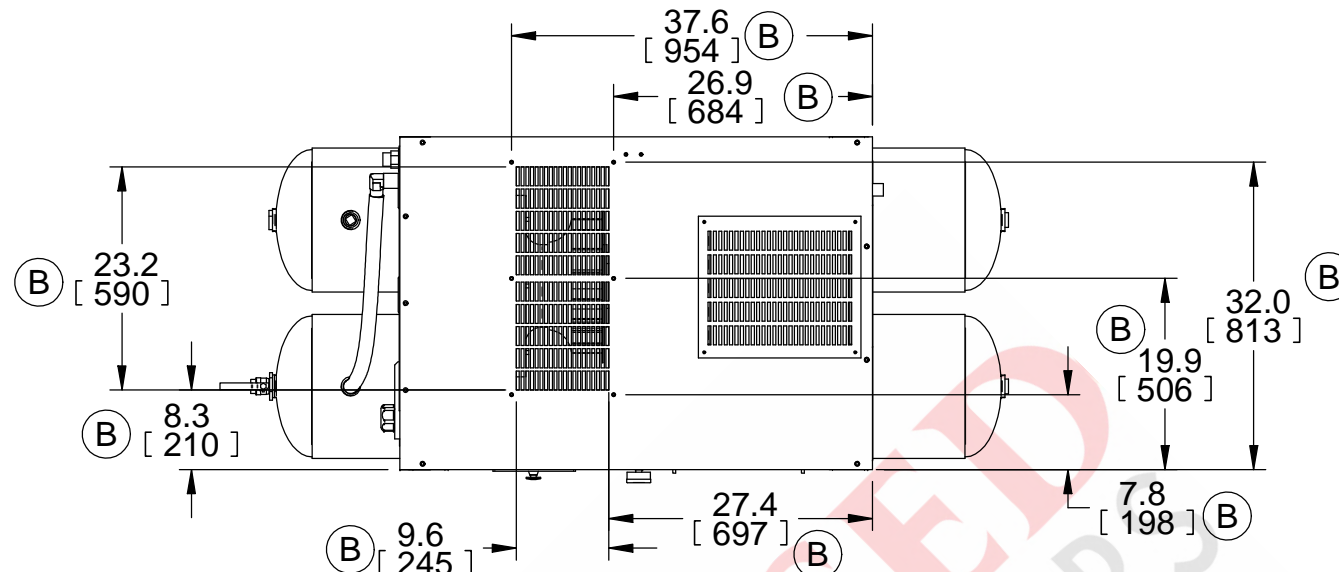


# COMPRESSED AIR ADVISORS

Inc.  
Compressed Air Advisors, Inc.  
Phone: 877.247.2381  
info@compressedairadvisors.com  
www.compressedairadvisors.com



DIMENSIONS	
	A
NON DRYER OPTION	77.2 [1962]
DRYER OPTION	82.4 [2093]

SLOT 9/16" X 1"  
4 PLACES

TOLERANCE UNLESS NOTED  
DECIMALS xx = ±.010; xxx = ±.005  
FRACTIONS  
FORMED OR CAST = ±1/32  
MACHINED = ±1/64  
ANGULAR AND PARALLELISM  
FORMED OR CAST = ±.5°  
MACHINED = ±1° √  
SURFACE FINISH  
REMOVE ALL BURRS  
DO NOT SCALE DRAWING

13585	B	Added: Top view. Exhaust dimensions.			1/22/16	AG	VN
-	A	New Release			3/12/15	AG	VN
ECN No.	Revision	Modification			Date	By	App
Drawing standard	ANSI	ANSI B4.1	Scale	1:20	Drawing status	Released	
Higher level assembly	NX	-	Unit	in	Description	NX 18-22 Tank Mounted 120 Gal Comp GA Drawing	
Model	NX	Weight	1917/1984 lbm	Sheet format	B	Part number	
Drawn	AG	Date	3/12/15	Finish	FCA3411		
Verified	VN	Date	3/12/15	Sheet	1 of 1	Projection method	
Approved	ZF	Date	3/12/15			Third angle	
<p>Distribution, utilization or the communication to third parties without our approval obliged to pay damages and is punishable to all the applicable laws. We reserve all rights in the case of patent award or utility entry Curtis Toledo, Inc., 1905 Kienlen Avenue, St. Louis, MO, 63133, United States.</p>							