

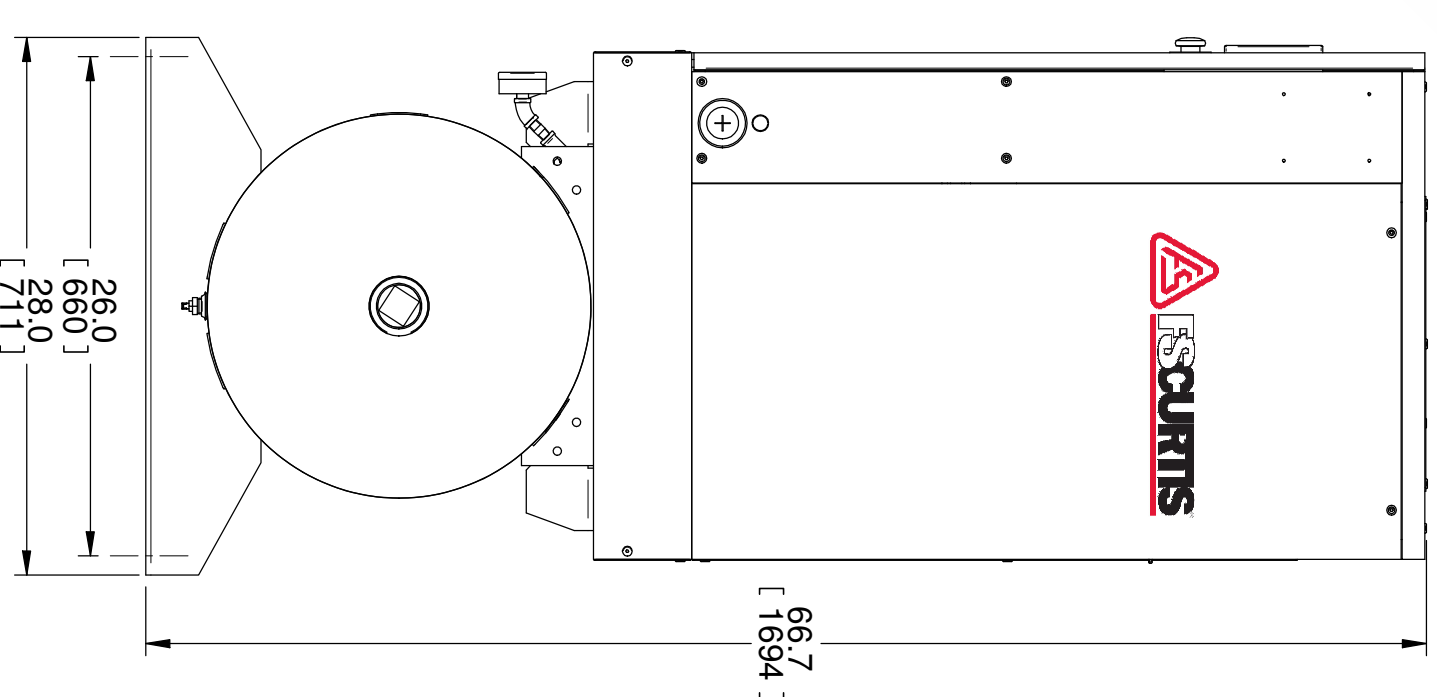
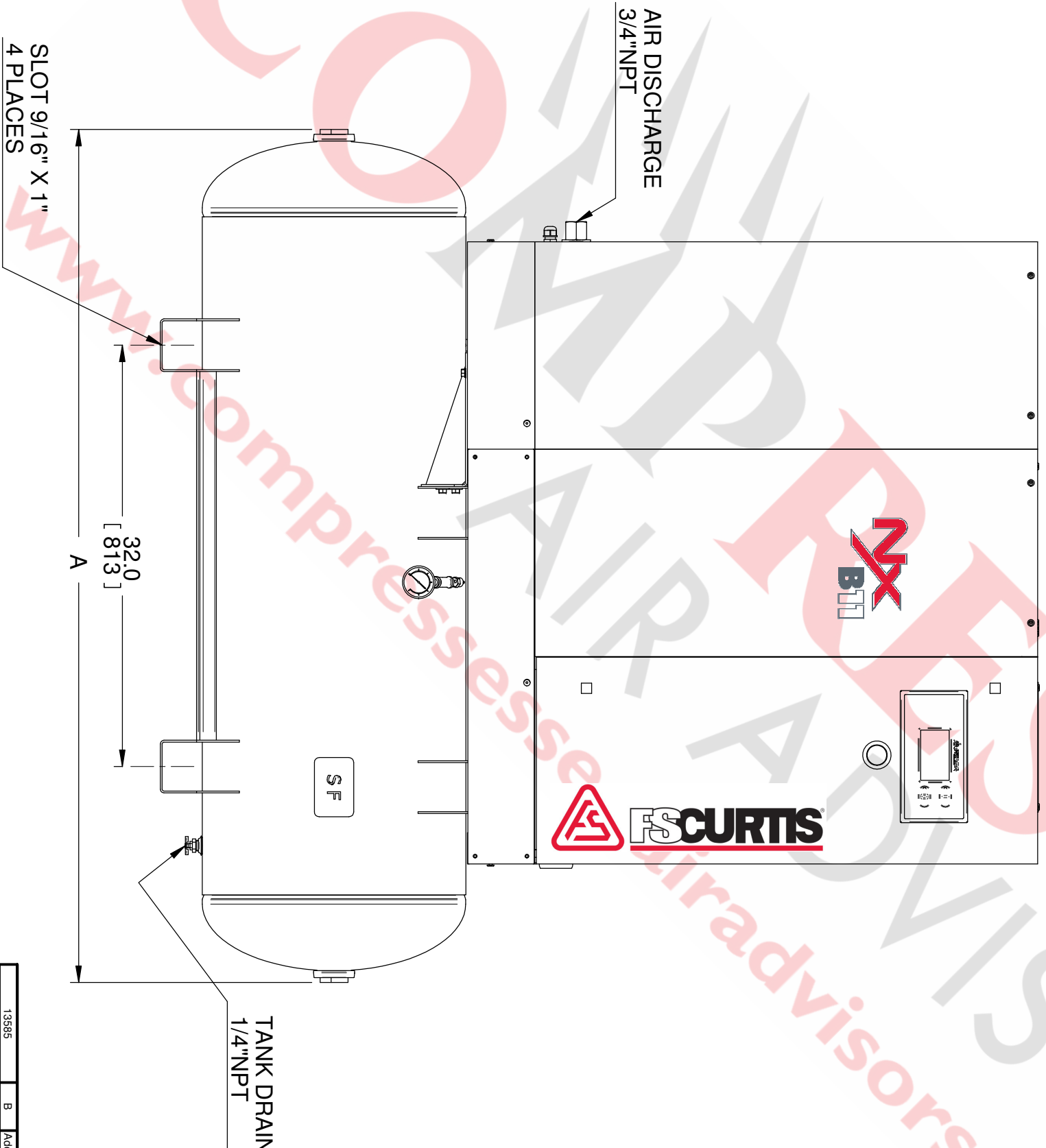
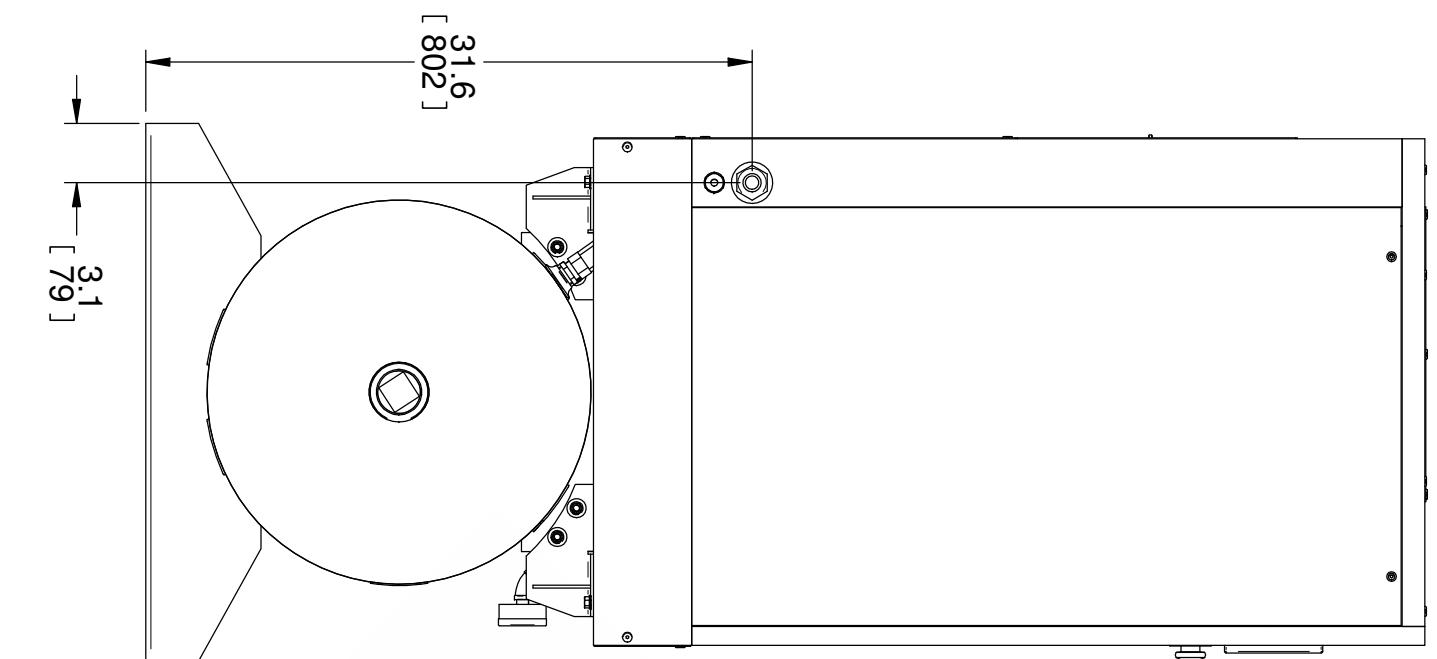
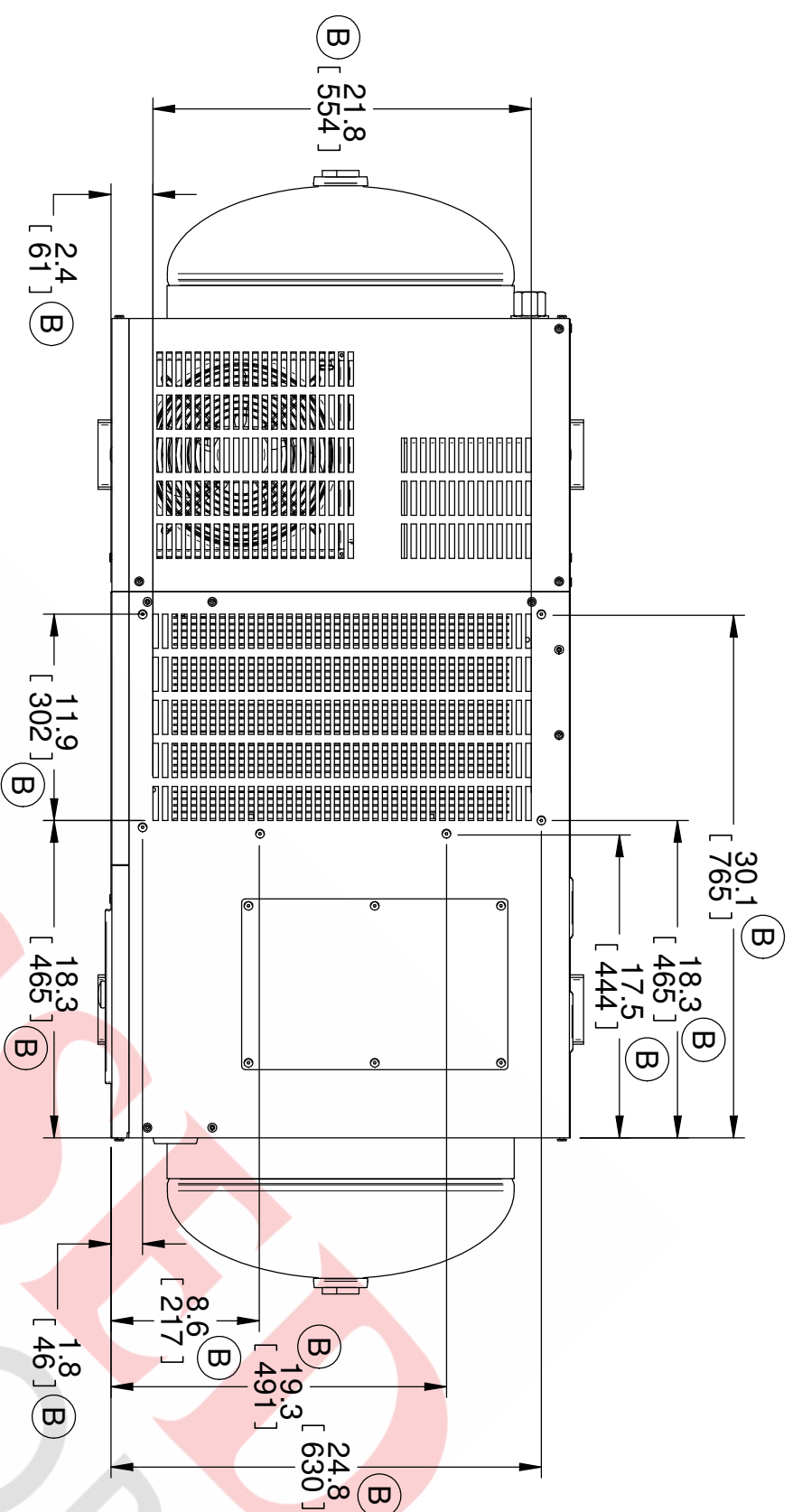
# COMPRESSED AIR ADVISORS Inc.

Compressed Air Advisors, Inc.

Phone: 877.247.2381

info@compressedairadvisors.com

www.compressedairadvisors.com



Alternative Dimensions		
	A (in)	A (mm)
Integrated Dryer + VFD Option	65	1646
VFD Option	67	1702

TOLERANCE UNLESS NOTED  
 DECIMALS - ±.010, .005 ±.005  
 FRACTIONS  
 FORMED OR CAST - ±.102  
 MACHINED - ±.104  
 ANGULAR AND PARALLELISM  
 FORMED OR CAST - ±.5°  
 MACHINED - ±1°  
 SURFACE FINISH  
 REMOVE ALL BURRS  
 DO NOT SCALE DRAWING

13395		B		Revised Top View Exhaust Dimensions		1/22/16		AG	VN
ECN No.	Revision	Modification	Scale	Date	By	App			
13513	A	New Release	1:10	3/12/15	AG	VN			
Drawing Standard		General tolerances	Drawing Status						
ANSI		ANSI B4.1	Released						
Register new assembly		Material	B						
NX									
NX		Weight							
NX		0.0 lbm							
AG		Size							
AG		3/12/15							
VN		Date							
VN		3/12/15							
ZF		Size							
ZF		1 of 1							
Description			NX 8-15 Tank Mounted 80 Gal with Comp and Dryer GA Drawing						
Part Number			FC43409						
Third angle									

Distribution, utilization or the communication to third parties without our approval obliges and is punishable to all the applicable laws. We reserve all rights in the case of patent award or utility entry Curtis Toledo, Inc., 1905 Kerlan Avenue, St. Louis, MO, 63133, United States.