



NxB/V Series

OIL-INJECTED ROTARY SCREW COMPRESSORS

Operator Manual

4 – 15 kW



COMPRESSED
AIR ADVISORS

Inc.

Compressed Air Advisors, Inc.

Phone: 877.247.2381

info@compressedairadvisors.com

www.compressedairadvisors.com



WARNING

Personal injury and/or equipment damage will be result by failing to pay attention to the vital safety information and instructions in this manual. Carefully read, understand, and retain all safety information and instructions before operating this compressor.

COMPRESSED
AIR ADVISORS
— www.compressedairadvisors.com —

Information on these operating instructions

These instructions enable you to use the machine safely and efficiently. The instructions are a component part of the machine and must be accessible for staff at all times.

Staff must have carefully read and understood these instructions before starting all work. The basic prerequisite for safe working is compliance with all the safety instructions and instruction for actions included in these operating instructions.

The local occupational health and safety regulations and general safety rules for operational area of the machine also apply.

The instructions for the machine do not cover operation of the controller. Therefore, the instructions and content of the instructions for the controller in question must also be taken into account.

Copyright

These instructions are protected by copyright and for internal purposes only.

These instructions must not be made available to third parties, reproduced in any way - even excerpts - and the content must not be utilized and/or communicated, except for internal purposes, without the written permission of the manufacturer.

Any infringement shall be subject to compensation for damages. We reserve the right to assert further claims.

Limitation of liability

All information and instructions in this manual have been compiled taking account of the applicable standards and regulations, state-of-the-art technology and our years of knowledge and experience.

The manufacturer assumes no liability for damages caused by:

- failure to adhere to these instructions
- improper use
- use of unqualified staff
- unauthorized conversions
- technical modifications
- use of non-approved spare parts

The actual scope of supply may differ from the descriptions and illustrations in these instructions in the case of special designs, the inclusion of additional ordering options or as a result of the latest technical modifications.

The obligations agreed in the contract of supply, the manufacturer's general terms and conditions of business and delivery and the legal regulations valid at the time of completion of the contract apply.

Customer service

Our Customer Service department is available to provide technical information.

In addition, our employees are always interested in receiving new information and hearing of your experiences from usage which could be valuable for the improvement of our products.

1	Design and function	7
1.1	Overview	7
1.2	Brief description.....	9
1.3	Assembly description	9
1.3.1	Controller.....	9
1.3.2	Enclosure panels.....	9
1.3.3	Drive unit	9
1.3.4	Intake filter.....	10
1.3.5	Compressor airend.....	10
1.3.6	Oil separator tank.....	11
1.3.7	Air/oil separator	11
1.3.8	Minimum pressure and non-return valve	11
1.3.9	Coolers	12
1.3.10	Oil filter	12
1.3.11	Cooling air fan	12
1.3.12	Refrigeration dryer	13
1.4	Interfaces.....	13
2	Safety.....	14
2.1	Symbols in these instructions.....	14
2.2	Proper use	15
2.3	General safety	16
2.4	Safety devices	16
2.4.1	Position of the safety devices	16
2.4.2	Description of the installed safety devices	17
2.5	Environmental protection	17
2.6	Instructions on the machine	18
3	Technical data.....	20
3.1	Serial tag	20
3.2	General specifications	21
3.2.1	Operating conditions	21
3.2.2	Oil.....	21
3.2.3	Consumables	21
4	Transportation, packaging and storage.....	22
4.1	Safety instructions for transportation.....	22
4.2	Inspection on receipt of delivery.....	22
4.3	Packaging.....	22
4.4	Symbols on the packaging	22
4.5	Transportation	23

4.6	Storage.....	23
5	Installation and commissioning	24
5.1	Safety instructions for the installation and commissioning	24
5.2	Requirements in the installation location	25
5.3	Installation	25
5.3.1	Remove shipping spacers	25
5.3.2	Ventilation	25
5.3.3	Connection to the compressed air network	26
5.3.4	Connecting to the power supply	27
5.4	Checking the oil level	28
5.5	Start-up lubrication of the compressor airend	28
5.6	Switching on after installation	29
5.7	Work after the initial commissioning	29
5.8	Setting parameters.....	30
6	Operation	31
6.1	Safety instructions for operation	31
6.2	Controller.....	31
7	Maintenance.....	32
7.1	Safety instructions for maintenance.....	32
7.2	Spare parts.....	34
7.3	Maintenance schedule	34
7.4	Maintenance work	36
7.4.1	Checking for leaks	37
7.4.2	Checking the electrical connections	37
7.4.3	Checking the oil level/topping up the oil	37
7.4.4	Checking the build-up of condensation	38
7.4.5	Checking the compressor temperature.....	39
7.4.6	Inspect/clean coolers	39
7.4.7	Checking the drive unit	40
7.4.8	Replacing the oil/changing the oil filter	40
7.4.9	Replacing the air/oil separator	41
7.4.10	Replacing the intake filter	42
7.5	Measures after maintenance has been performed	43
8	Faults.....	44
8.1	Safety instructions for fault clearance	44
8.2	Fault displays	45
8.3	Fault table	46
8.4	Work for fault clearance	48

8.5	Commissioning after remedied fault.....	48
9	Index	49
10	Appendix	51
10.1	Bolt tightening torque requirements	51

COMPRESSED
AIR ADVISORS
— www.compressedairadvisors.com —

1 Design and function

1.1 Overview

Screw compressor

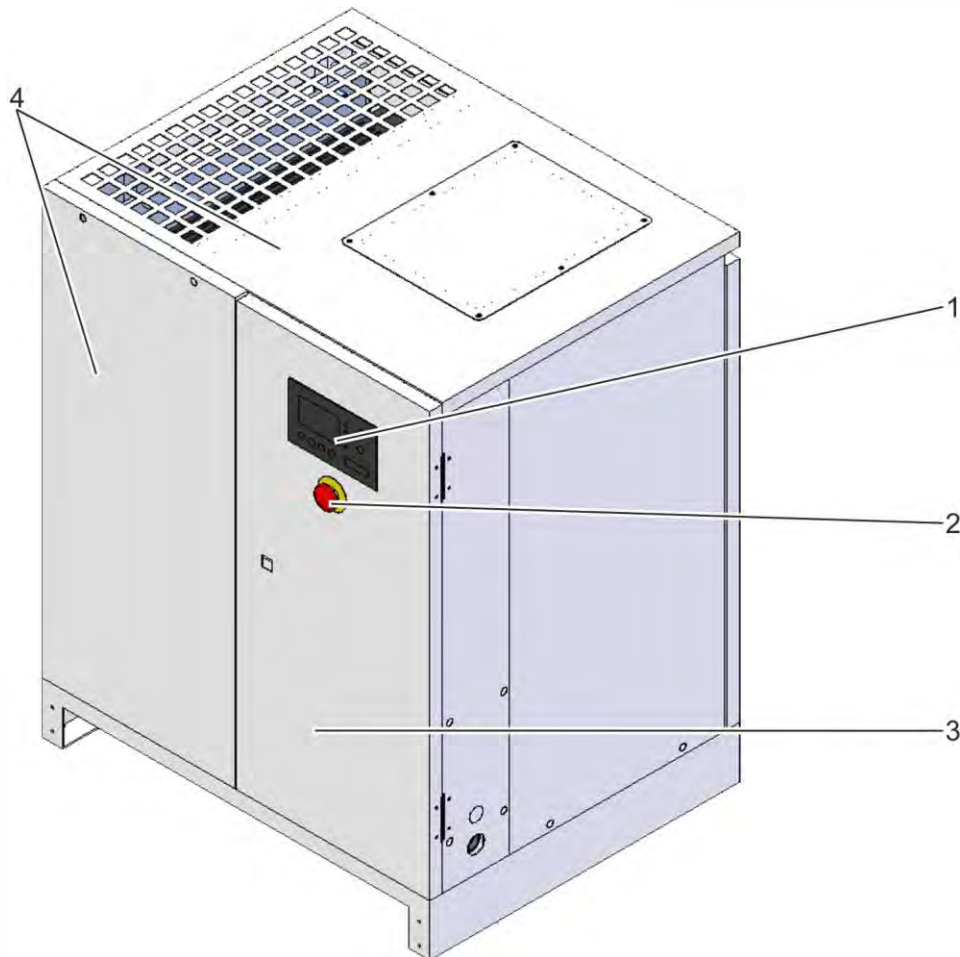


Fig. 1: Standard screw compressor with belt drive 3 - 15 kW)

- | | |
|-------------------------|----------------------|
| 1 Controller | 3 Electrical cabinet |
| 2 Emergency stop button | 4 Enclosure panels |

This chapter shows the screw compressors described in these instructions. They mainly differ in their construction, with or without receiver, and with the attachment of an additional section in which the refrigeration dryer and the frequency converter are installed. However, their basic construction is the same.

Components


The basic construction is the same for all screw compressor variants. The position or look of the assemblies may vary from the illustration

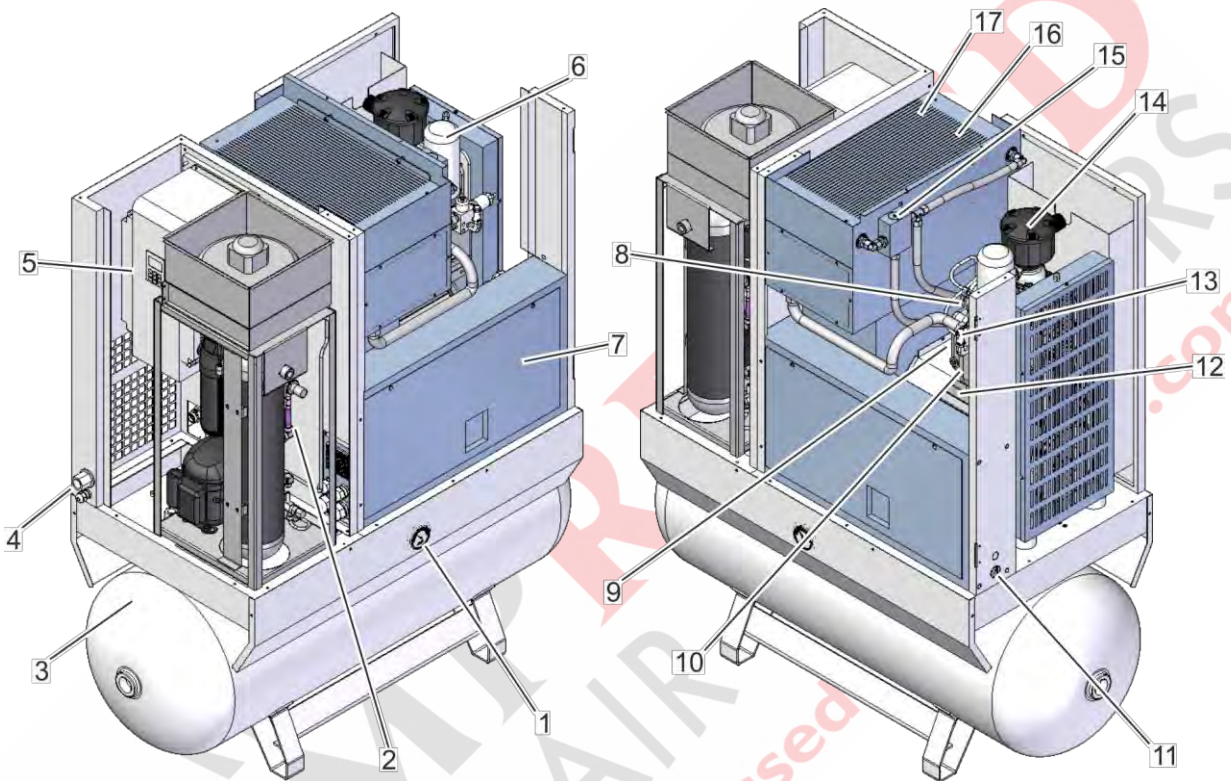


Fig. 2: Overview of the assemblies: Screw compressor with frequency converter, refrigeration dryer (optional) and air receiver (optional)

- | | |
|--|--|
| 1 Pressure gauge | 10 Separator tank |
| 2 Refrigeration dryer (optional) | 11 Power connection |
| 3 Air receiver (optional) | 12 Drive unit |
| 4 Discharge port | 13 Minimum pressure and non-return valve |
| 5 Frequency converter (optional) | 14 Intake filter |
| 6 Air/oil separator | 15 Thermostat valve |
| 7 Electrical cabinet | 16 Oil cooler |
| 8 Safety valve (second safety valve on tank for the option with compressed air tank, positioned behind the pressure gauge) | 17 Air after-cooler |
| 9 Compressor airend | |

1.2 Brief description

The fresh air supplied by the cooling air fan is filtered through the intake filter. The air flows through the intake valve into the compressor aircend, where it is compressed together with the injected oil to the final pressure. The oil is largely separated from the compressed air in the oil separator tank. The air/oil separator removes the remaining oil from the compressed air. The compressed air then flows through the minimum pressure and non-return valve into the air after-cooler and is cooled down before it leaves the screw compressor via the discharge port.


The oil is separated from the compressed air in the oil separator tank and the air/oil separator and flows to the oil cooler. The oil temperature thermostat adds the cooled oil to the hot oil via the oil cooler bypass according to the set point temperature. Finally, the oil filter cleans the oil before it is injected into the compressor aircend again.

1.3 Assembly description

1.3.1 Controller



Controller variants

For detailed information about the controller installed, consult the separate  Controller documentation.

1.3.2 Enclosure panels

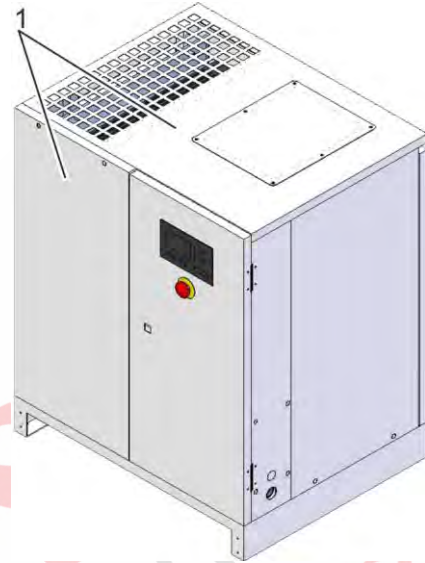


Fig. 3: Enclosure panels

Only qualified personnel may remove the enclosure doors (Fig. 3/1) with the included special wrench. Enclosure doors are a part of the electric shock protection and reduce the sound level emitted by the unit.

1.3.3 Drive unit

Various drive units are installed in the screw compressors. They differ in construction, their technical data and their functional principle as follows:

Screw compressor with V-belt drive

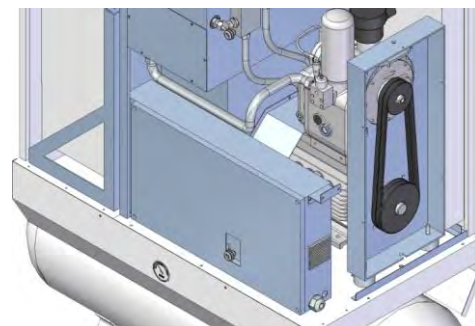


Fig. 4: Screw compressor with V-belt drive

Screw compressor with V-belt drive and frequency converter

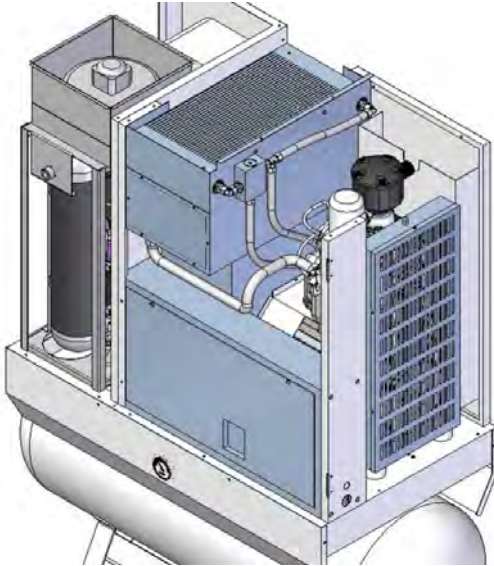


Fig. 5: Screw compressors with V-belt drive and frequency converter

On the screw compressor with frequency converter the electric motor is speed-controlled by the frequency converter. Actuation is provided by a V-belt.

1.3.4 Intake filter

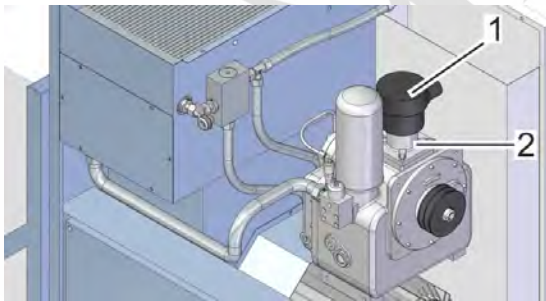


Fig. 6: Standard intake filter

The standard intake filter (Fig. 6/1) is fitted directly on the compressor airoend (Fig. 6/2).

1.3.5 Compressor airoend

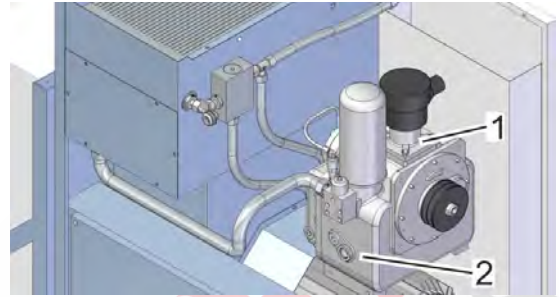


Fig. 7: Compressor airoend

The air is compressed by the compressor airoend (Fig. 7/1) and fed to the oil separator tank (Fig. 7/2) together with the injected oil. The compressor airoend and the oil separator tank are enclosed in the same housing.

1.3.6 Oil separator tank

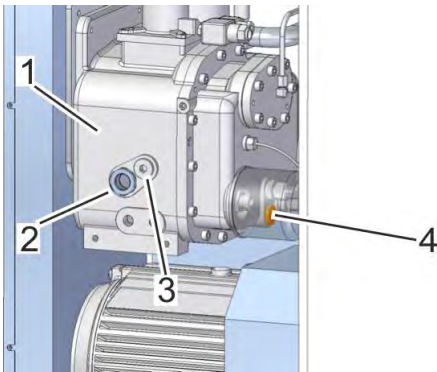


Fig. 8: Oil separator tank

- 1 Oil separator
- 2 Sight glass
- 3 Filler nozzle
- 4 Oil drain

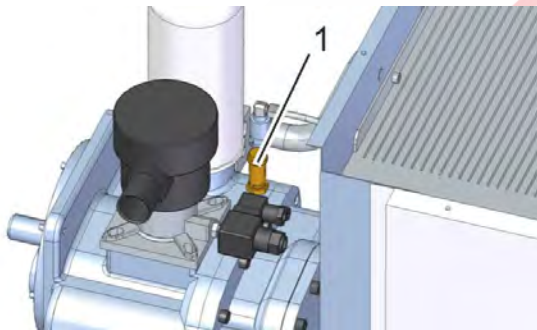


Fig. 9: Relief valve (1)

The compressor air end and the oil separator tank (Fig. 8/1) are enclosed in the same housing.

The oil separator tank comprises several components. The level of the oil can be read through the inspection glass (Fig. 8/2). The oil is topped up via the filler nozzle (Fig. 8/3) and removed via the oil drain (Fig. 8/4).

1.3.7 Air/oil separator

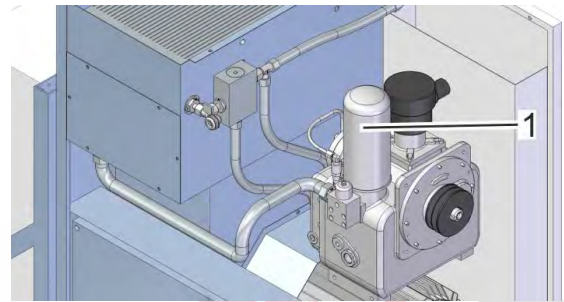


Fig. 10: Air/oil separator

The air/oil separator (Fig. 10/1) removes the residual oil from the compressed air.

1.3.8 Minimum pressure and non-return valve

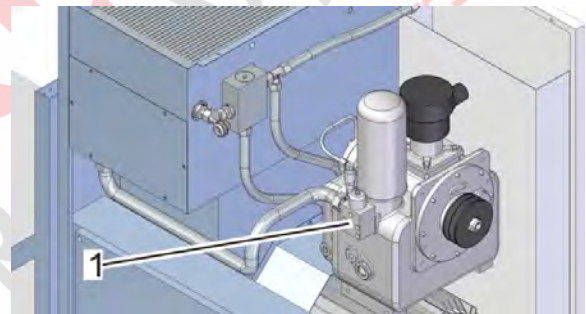


Fig. 11: Minimum pressure and non-return valve

The minimum pressure and non-return valve (Fig. 11/1) does not open until the system pressure has risen to 72 psi (5 bar). After switching off the screw compressor the minimum pressure and non-return valve prevents the compressed air from flowing back out of the network.

1.3.9 Coolers

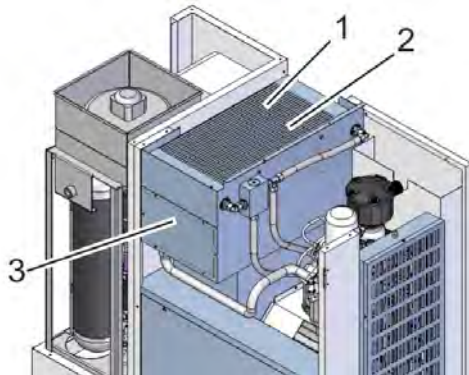


Fig. 12: Coolers

The compressed air is cooled in the air after-cooler (Fig. 12/1) before it leaves the screw compressor via the discharge port (Fig. 12/1).

The oil is cooled by the oil cooler (Fig. 12/2) and fed back into the oil circuit.

The plate (Fig. 12/3) can be removed for cleaning the coolers.

1.3.10 Oil filter

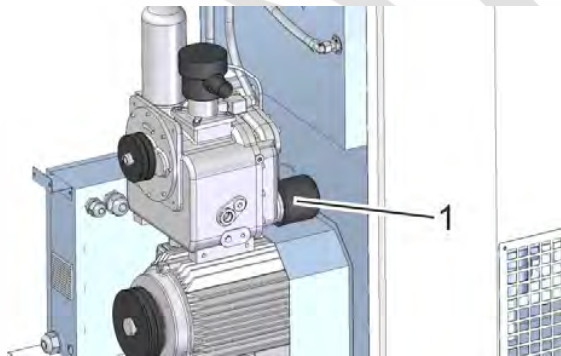


Fig. 13: Oil filter

The oil filter (Fig. 13/1) cleans the oil before it is injected into the compressor airend once again.

1.3.11 Cooling air fan

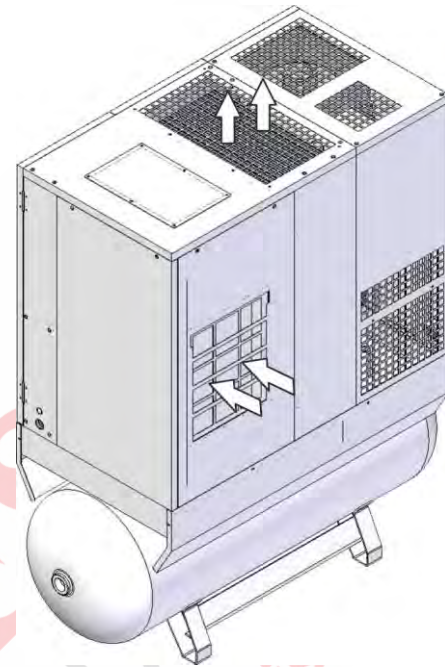


Fig. 14: Screw compressor with air receiver (optional), refrigeration dryer (optional) and/or frequency converter 3–15 kWn

The cooling of the air after-cooler and of the oil cooler is performed by the cooling air fan. The cooling air fan also supplies the intake filter (Fig. 14/1) with sufficient intake air.

The cooling air inlet and outlet openings must be kept clear. The required cooling air rates must be provided in accordance with the technical data for the screw compressor.



The forced ventilation and bleeding equipment must be dimensioned so that the required supply and exhaust air can be supplied and extracted taking into account the existing residual thrust from the cooling air fan. The exhaust air can also be used for heat reclamation.

1.3.12 Refrigeration dryer

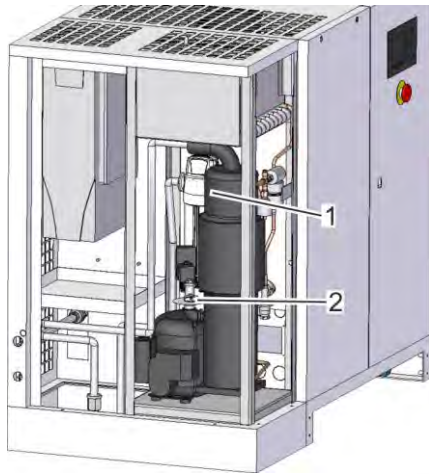


Fig. 15: Refrigeration dryer

The refrigeration dryer (Fig. 15/1) dries the compressed air using a heat exchange process. The compressed air is fed from the oil separator tank into the refrigeration dryer and then directed into the compressed air network via the compressed air port.

The condensate which accumulates is discharged via the condensate drain (Fig. 15/2).



Depending on the variant, a hose for discharging the condensate may already be attached to the condensate drain; otherwise, the user will need to attach one.

1.4 Interfaces

Air supply

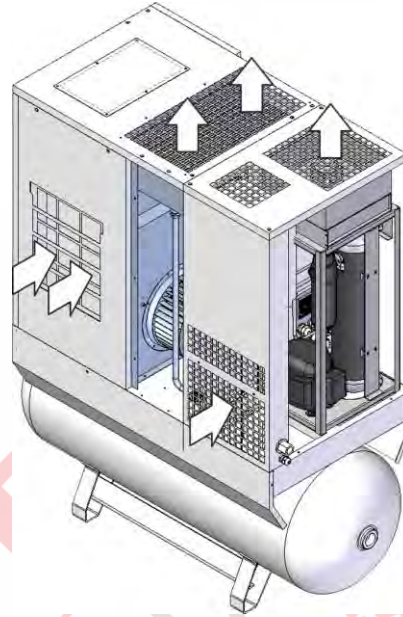


Fig. 16: Screw compressor with frequency converter, air receiver (optional) and refrigeration dryer (optional) 3–15 kW

The cooling air fan in the compressor housing directs the fresh air to the intake filter and is also used for process cooling. The intake filter filters the fresh air and directs it into the compressor unit for compression.

The refrigeration dryer (optional) in the upgrade module has its own fan. It cools the compressed air and extracts the heat.

Discharge port

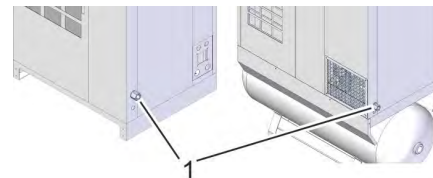


Fig. 17: Discharge port

The air compressed by the compressor is available to the compressed air network at the discharge connection after it has been filtered and cooled.

2 Safety

This section is a summary of important safety aspects to ensure optimum protection of the personnel and safe and trouble-free operation.

The owner, lessor or operator of this compressor is hereby notified and forewarned that failure to observe these safety precautions may result in injury and/or property damage.

FS Curtis does not mean to imply that the following safety precautions are all-inclusive or that the observance of these precautions will prevent all injury or property damage.

FS Curtis expressly disclaims responsibility or liability for any injury or property damage caused by failure to follow these specified precautions or by failure to exercise ordinary caution and due care required in operating or handling this equipment even though not expressly specified.

2.1 Symbols in these instructions

Safety instructions

The safety instructions and safety information in these instructions are denoted by symbols. The safety instructions are prefaced by signal words which express the extent of the risk.



DANGER!

This combination of symbol and signal word indicates a directly hazardous situation which will lead to serious or even fatal injuries if not avoided.



WARNING!

This combination of symbol and signal word indicates a possibly hazardous situation which may lead serious or even fatal injuries if not avoided.



CAUTION!

This combination of symbol and signal word indicates a possibly hazardous situation which may cause minor or light injuries if not avoided.



NOTICE!

This combination of symbol and signal word indicates a possibly hazardous situation which may cause material damage if not avoided or possible hazards for the environment.

Safety instructions in action sequences

Safety instructions may relate to certain, individual instructions for actions. These safety instructions are embedded in the instruction for action so that they do not interrupt the flow of reading when performing the action. The signal words described above are used.

Example:

1. Unfasten the screw.
- 2.



CAUTION!




Risk of entrapment on the cover!

Close the cover carefully.

3. Tighten the screw.

Special safety instructions

The following symbols are used in conjunction with the safety instructions in order to draw attention to particular hazards:

	Warning – high-voltage.
	Warning – explosive substances.
	Warning – danger zone.

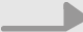



Tips and recommendations



This symbol indicates tips and recommendations and information for efficient and fault-free operation.

Further markings

The following markings are used in these instructions for emphasizing instructions for actions, results, lists, cross references and other elements:

Marking	Explanation
	Step-by-step instructions for actions
	Results of actions
	References to sections of these instructions and other applicable documents
	Lists without a set order
[Button]	Operating controls (e.g. buttons, switches), display elements (e.g. indicator lamps)
"Display"	Screen elements (e.g. buttons, assignment of function keys)

2.2 Proper use

The machine is designed and constructed exclusively for the proper use described here.

The screw compressor serves exclusively to generate compressed air in an environment not subject to explosion. The screw compressor must be supplied exclusively with cool, dry and dust-free cooling air.

Do not operate the compressor in excess of its rated pressures and speeds indicated on the compressor nameplate.

The proper use also includes adherence to all details in this manual.

Any use beyond the proper use or other type of use counts as misuse.



WARNING! **Danger due to misuse!**

- The compressed air may not be used for breathing without appropriate after-treatment.
- The compressed air may not be used directly for pharmaceutical or sanitary purposes or for the direct handling of food without appropriate after-treatment.
- The screw compressor may not be operated outdoors.
- The screw compressor or individual components may not be rebuilt, modified or re-equipped.
- The screw compressor may not be used in an atmosphere subject to explosion.
- The intake of media other than cool, dry and dust-free cooling air is forbidden.

Claims of any type for damage due to misuse are excluded.

2.3 General safety

1. Read and understand all the instructions found in this manual before operating your compressor.
2. **Disconnect the main power source before working on or performing any maintenance procedures on this unit. Use a lock out and tag out process.**
3. Do not attempt to remove any parts, break any connection, loosen oil fill plug or drain plug until the unit has been shut down and air pressure has been relieved.
4. Do not operate the compressor in excess of its rated pressures and speeds indicated on the compressor nameplate.
5. Do not remove guards, shields, or screens while the compressor is in operation. If removed for maintenance replace before resuming operation.
6. Observe the delivery pressure gauge daily to be sure the automatic control system is operating within proper limits.
7. Periodically check all safety and relief devices for proper operation.
8. Use compressed air properly. Pressurized air can cause serious injury to personnel.
9. Be sure that no tools, rags or loose parts are left in or on the compressor or drive parts.
10. Do not use flammable solvents for cleaning parts.
11. Exercise cleanliness during maintenance and when making repairs. Keep dirt away from parts and exposed openings by covering with clean cloth or Kraft paper.
12. Do not install a shut-off valve in the discharge line without installing a pressure relief valve between the shut-off and the compressor package.
13. Do not operate the compressor in areas where there is a possibility of flammable or toxic substances entering the system.
14. Never disconnect (or jump) the air discharge temperature switch or any other safety device and attempt to operate the compressor.
15. Know what mode of operation the compressor is in before working around the unit. The power may be on but the machine not running if it is in the auto restart mode. Adhere to note #2 above.

2.4 Safety devices



WARNING! Danger to life from nonfunctional safety devices!

If safety devices are not functioning or are disabled, there is a danger of grave injury or death.

- Check that all safety devices are fully functional and correctly installed before starting work.
- Never disable or bypass safety devices.
- Ensure that all safety devices are always accessible.

2.4.1 Position of the safety devices

The following illustrations show the position of the safety devices.

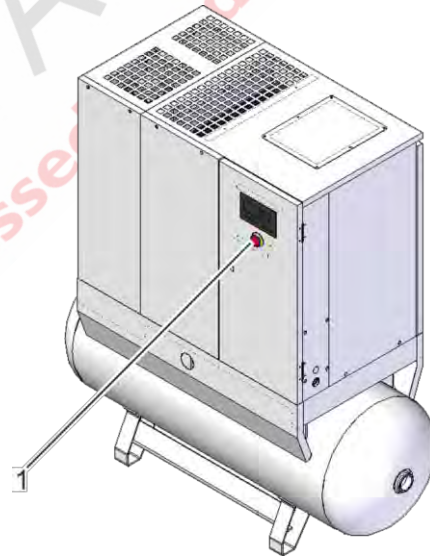


Fig. 18: Screw compressor with refrigeration dryer (optional), tank (optional) and/or frequency converter 3 – 15 kW)

2.4.2 Description of the installed safety devices

Emergency stop button

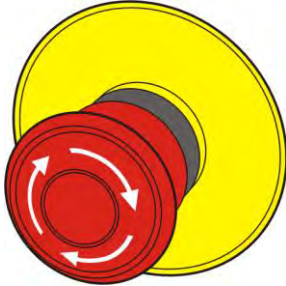


Fig. 19: Emergency stop button

By pressing the emergency stop button, the machine is stopped by an immediate switching off of the power supply. After an emergency stop button has been pressed, it must be unlocked by turning it so that switching on is possible.



WARNING!
Danger to life from an unauthorized restart!

An uncontrolled restart of the machine may cause serious injuries including death.

- Before switching the machine back on, make sure the cause of the emergency stop has been removed and all safety devices have been installed and function properly.
- Do not unlock the EMERGENCY-STOP button until there is no more danger.

Relief valves

Relief valves are unburdening equipment for areas under pressure such as boilers, pressure vessels and pipes. In case of an impermissible pressure increase, relief valves bleed off gases, vapors or liquids into the atmosphere.

Do not change the pressure setting of the pressure relief valve, restrict the function of the relief valve or replace the relief valve with a plug.

2.5 Environmental protection



NOTICE!
Danger to the environment from incorrect handling of pollutants!

Incorrect handling of pollutants, particularly incorrect waste disposal, may cause serious damage to the environment.

- Always observe the instructions below regarding handling and disposal of pollutants.
- Take the appropriate actions immediately if pollutants escape accidentally into the environment. If in doubt, inform the responsible municipal authorities about the damage and ask about the appropriate actions to be taken.

The following chemicals are used:

Oil

Oils can contain substances that are harmful to the environment. They must not be allowed to escape into the environment. Catch replaced oils in suitable containers and dispose of in accordance with applicable local, state and federal regulations

Lubricants

Lubricants such as greases and oils can contain harmful substances. They must not be allowed to escape into the environment. Dispose of lubricants in accordance with applicable local, state and federal regulations.

2.6 Instructions on the machine



WARNING!
Danger of injury from illegible symbols!

Stickers and signs can become dirty or otherwise obscured over time, with the result that dangers cannot be recognized and the necessary operating instructions cannot be complied with. This, in turn, poses a risk of injury.

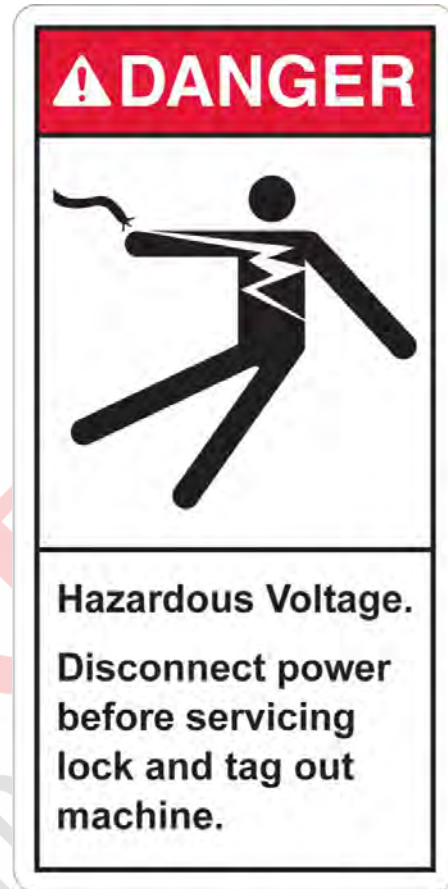
- All safety, warning and operating instructions must always be maintained in a completely legible condition.
- Damaged signs or stickers must be replaced immediately.

Direction of rotation



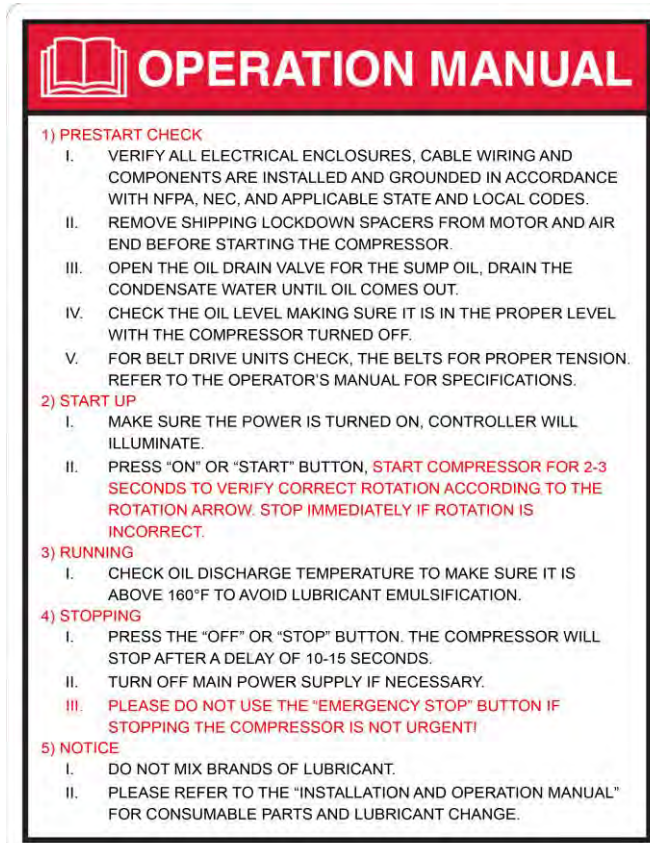
There is a direction of rotation sticker on the drive unit and on the cooling air ventilator. This sticker shows the appropriate direction of rotation.

Hazardous Voltage



Brief instructions for operation

This sticker is on the enclosure and contains brief instructions for operation.



OPERATION MANUAL

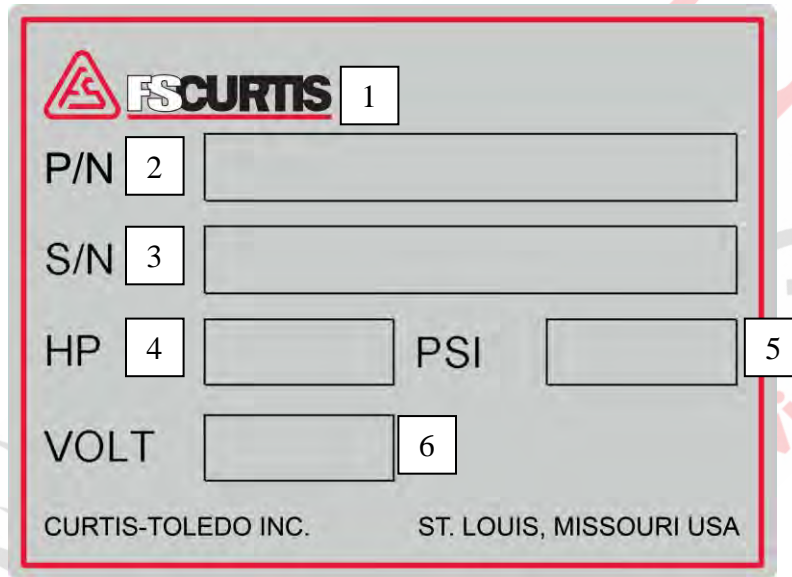
- 1) **PRESTART CHECK**
 - I. VERIFY ALL ELECTRICAL ENCLOSURES, CABLE WIRING AND COMPONENTS ARE INSTALLED AND GROUNDED IN ACCORDANCE WITH NFPA, NEC, AND APPLICABLE STATE AND LOCAL CODES.
 - II. REMOVE SHIPPING LOCKDOWN SPACERS FROM MOTOR AND AIR END BEFORE STARTING THE COMPRESSOR.
 - III. OPEN THE OIL DRAIN VALVE FOR THE SUMP OIL, DRAIN THE CONDENSATE WATER UNTIL OIL COMES OUT.
 - IV. CHECK THE OIL LEVEL MAKING SURE IT IS IN THE PROPER LEVEL WITH THE COMPRESSOR TURNED OFF.
 - V. FOR BELT DRIVE UNITS CHECK, THE BELTS FOR PROPER TENSION. REFER TO THE OPERATOR'S MANUAL FOR SPECIFICATIONS.
- 2) **START UP**
 - I. MAKE SURE THE POWER IS TURNED ON, CONTROLLER WILL ILLUMINATE.
 - II. PRESS "ON" OR "START" BUTTON, **START COMPRESSOR FOR 2-3 SECONDS TO VERIFY CORRECT ROTATION ACCORDING TO THE ROTATION ARROW. STOP IMMEDIATELY IF ROTATION IS INCORRECT.**
- 3) **RUNNING**
 - I. CHECK OIL DISCHARGE TEMPERATURE TO MAKE SURE IT IS ABOVE 160°F TO AVOID LUBRICANT EMULSIFICATION.
- 4) **STOPPING**
 - I. PRESS THE "OFF" OR "STOP" BUTTON. THE COMPRESSOR WILL STOP AFTER A DELAY OF 10-15 SECONDS.
 - II. TURN OFF MAIN POWER SUPPLY IF NECESSARY.
 - III. **PLEASE DO NOT USE THE "EMERGENCY STOP" BUTTON IF STOPPING THE COMPRESSOR IS NOT URGENT!**
- 5) **NOTICE**
 - I. DO NOT MIX BRANDS OF LUBRICANT.
 - II. PLEASE REFER TO THE "INSTALLATION AND OPERATION MANUAL" FOR CONSUMABLE PARTS AND LUBRICANT CHANGE.

3 Technical data



For more information refer to the technical data sheet.

3.1 Serial tag



The serial tag form is enclosed in a red border and contains the following fields and text:

- 1. FS CURTIS logo and name
- 2. P/N (Part Number) field
- 3. S/N (Serial Number) field
- 4. HP (Horsepower) field
- 5. PSI (Pounds per Square Inch) field
- 6. VOLT field
- CURTIS-TOLEDO INC. ST. LOUIS, MISSOURI USA

Fig. 20: Serial tag

The serial tag can be found on the enclosure. It includes the following details:

1. Manufacturer
2. Part number
3. Serial number
4. Motor power [HP]
5. Discharge pressure [PSI]
6. Voltage [V]

3.2 General specifications

3.2.1 Operating conditions

Environment

Data	Value
Temperature range	+37 to +113F (+3 to +45°C)
Relative humidity, maximum	60%
Maximum installation altitude above sea level	3281ft (1000m)

3.2.2 Oil

The following oils have been tested and approved for use in these compressors:

Designation	Type
Synthetic oil	FSC-8000
Food grade oil	FSC-4000FG

3.2.3 Consumables

Screw compressor with V-belt drive with and without frequency converter type 3 – 7

Type	Consumable	Fill level
3	Oil	1.05 USG
4	Oil	1.05 USG
5	Oil	1.05 USG
7	Oil	1.05 USG

Screw compressor with V-belt drive with and without frequency converter type 8 – 15

Type	Consumable	Fill level
8	Oil	1.45 USG
11	Oil	1.45 USG
15	Oil	1.45 USG

4 Transportation, packaging and storage

4.1 Safety instructions for transportation

Improper transport



NOTICE! **Damage to property due to improper transport!**

Units may fall or tip over as a result of improper transport. This can cause a significant level of property damage.

- Proceed carefully when unloading transport units at delivery and during in-house transport; observe the symbols and instructions on the packaging.
- Only use the attachment points provided.
- Only remove the packaging shortly before assembly.

4.2 Inspection on receipt of delivery

On receipt, immediately inspect the delivery for completeness and transport damage.

Proceed as follows in the event of externally apparent transport damage:

- Do not accept the delivery, or only accept it subject to reservation.
- Note the extent of the damage on the transport documentation or the shipper's delivery note.
- Initiate complaint procedures.



Issue a complaint in respect of each defect immediately following detection. Damage compensation claims can only be asserted within the applicable complaint deadlines.

4.3 Packaging

About the packaging

The individual screw compressors are packaged in cartons or sometimes on wooden frames and according to the anticipated transport conditions. Only environmentally-friendly materials are used for the packaging.

The packaging should protect the individual components against transport damage, corrosion and other damage until assembly. Therefore, do not destroy the packaging and only remove it shortly before assembly.

Handling packaging materials

Dispose of packaging material in accordance with the relevant applicable legal requirements and local, state and federal regulations.

4.4 Symbols on the packaging

The following symbols can be on the packaging. Always heed these symbols during transport.

Top



The arrow tips on the sign mark the top of the package. They must always point upwards; otherwise the content could be damaged.

Fragile



Marks packages with fragile or sensitive contents.

Handle the package with care; do not allow to fall and do not expose to impacts.

Protect against moisture



Protect packages against moisture and keep dry.

4.5 Transportation

Transportation with a fork lift

Packages can be transported with a fork lift under the following conditions:

- The fork lift must be engineered for the weight of the packages.
- Existing guide rails on the frame must be used.
- The length of the forks must be at least 55 inch (1400 mm).

Transporting

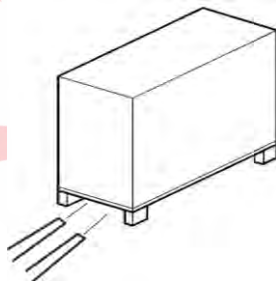


Fig. 21: Transportation with a fork lift

1. Drive the fork lift with the forks as shown in Fig. 21.
2. Insert the forks so that they stick out on the other side.
3. Ensure that the package cannot tip if the centre of gravity is off-centre.
4. Lift the package and begin transportation.

4.6 Storage

Storage of the packaged compressor

Store the compressor under the following conditions:

- Do not store outdoors.
- Store dry and dust-free.
- Do not expose to any aggressive media.
- Protect against solar radiation.
- Avoid mechanical jolts.
- Storage temperature: 60 to 95F (15 to 35 °C).
- Relative humidity: max. 60 %.
- In case of storage for longer than 3 months, check the general condition of all parts and the packaging regularly. If necessary, refresh or replace the rust-proofing.



Under some circumstances there may be notes about storage on the packaging that extend beyond the requirements named here. Adhere to these accordingly.

5 Installation and commissioning

5.1 Safety instructions for the installation and commissioning

Electrical system



DANGER!
Danger to life from electric power!

Contact with live parts may prove fatal. When switched on, electric components can be subject to uncontrolled movements and may cause grave injury or death.

- Switch off the power supply before starting work and make sure that it cannot be switched on again. Follow lockout/ tagout procedure.

Improper initial commissioning



WARNING!
Danger of injury due to improper initial commissioning!

Improper initial commissioning can result in serious injury and significant damage to property.

- Before the initial commissioning, ensure that all installation work has been carried out and completed in accordance with the information and instructions in this manual, National Electric Code and local, state and federal regulations.

Securing to prevent restart



WARNING!
Danger to life from an unauthorized restart!

In the event of an unauthorized restart of the power supply during installation,

there is a danger of serious injuries or death for persons in the danger zone.

- Switch off all power supplies before starting work and make sure they cannot be switched on again. Follow lockout/ tagout procedure.

Improper installation and commissioning



WARNING!
Risk of injury due to improper installation or commissioning!

Improperly performed installation and commissioning may lead to serious injury and significant material damage.

- Provide for sufficient mounting clearance before starting to work.
- Use caution when handling exposed components with sharp edges.
- Keep the assembly area tidy and clean! Loose components and tools lying around or on top of each other may lead to accidents.
- Mount all components properly. Tighten all screws to the prescribed torque.
- Secure components to prevent them from falling down or tipping over.
- Observe the following prior to commissioning:
 - make sure that all installation work has been performed and completed following the instructions and information provided in this manual.
 - make sure that no persons are still in the danger zone of the machine.

5.2 Requirements in the installation location

Set up the screw compressor so that the following conditions are fulfilled:

- The installation location is level.
- The machine is easily accessible and can be accessed from all sides.
- There is sufficient lighting.
- There is sufficient ventilation.
- There is a power supply available.
- Escape paths and rescue equipment are freely accessible.
- The machine is not subjected to an explosive atmosphere.
- The machine is not subjected to a corrosive atmosphere.
- The machine is not subjected to direct solar radiation.
- Outside heating from surrounding heat sources is excluded.
- There is no dust accumulation.
- Fire protection measures have been taken.
- The machine is not subjected to vibrations.
- The floor is resistant to solvents, impermeable to liquids, anti-static and easy to clean.
- There are no machines in the vicinity that cause electrical or electromagnetic disturbance.

5.3 Installation

5.3.1 Remove shipping spacers

To protect the vibration isolators underneath the motor/airend assembly during transport, there are red spacers that hold the assembly in place. Make sure all of these spacers are removed before first startup of the compressor. Failure to remove the spacers will result in excessive vibration and can cause damage to the compressor.

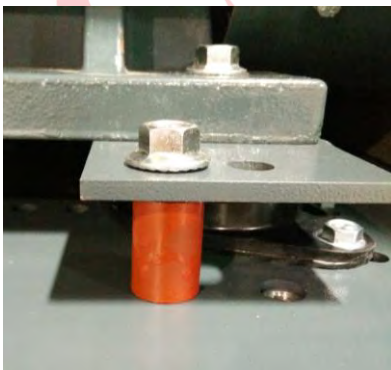


Fig. 22-1: Shipping spacer



Fig. 22-2: Shipping spacer

5.3.2 Ventilation



DANGER!

Risk of fatal injury from the use of explosive gas mixtures, vapors, dust or aggressive hazardous substances!

The use of explosive gas mixtures, vapors, dust or aggressive hazardous substances to ventilate the screw compressor can cause severe or even fatal injuries as well as significant material damage.

- Never use explosive gas mixtures, vapors, dust or aggressive hazardous substances to ventilate the screw compressor.
- Make sure that no potentially explosive gas mixtures, vapors, dust or aggressive hazardous substances enter into the ventilation for the screw compressor.

The air fed via the intake openings is used for compression and for cooling the machine.



NOTICE!
Risk of material damage from condensation!

Cooling air with moisture content can cause condensation.

- Make sure that the cooling air is cool, dry and free of dust.

1. Provide the required rate of cooling air as per the technical data for the screw compressor (☞ Chapter 3 'Technical data' on page 20).
2. Extract the exhaust air as per the technical data for the screw compressor (☞ Chapter 3 'Technical data' on page 20).
⇒ This prevents the installation room and the screw compressor from heating up.

Forced ventilation and bleeding system (optional)



The forced ventilation and bleeding equipment must be dimensioned so that the required supply and exhaust air can be supplied and extracted taking into account the existing residual thrust from the cooling air fan. The exhaust air can also be used for heat reclamation.

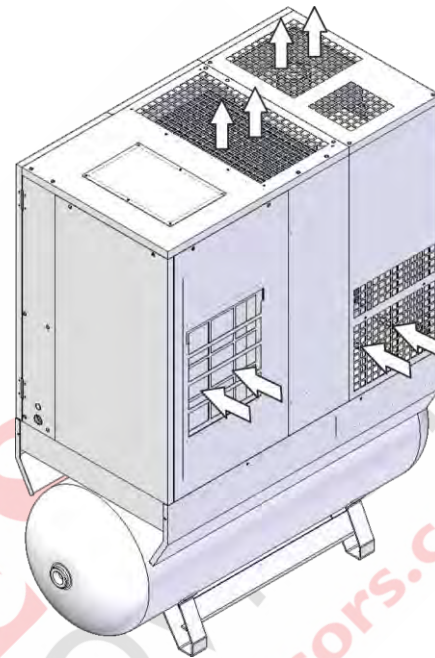


Fig. 23: Overview illustration of air duct connection

1. For the nominal diameters of the duct connections and details about residual thrust refer to the technical data (☞ Chapter 3 'Technical data' on page 20) and the installation diagrams included in the scope of delivery.
2. When connecting air ducts include the appropriate additional supporting fans for installation in the ducts.

5.3.3 Connection to the compressed air network

Materials: ■ Flexible compressed air hose max. 5 ft (1.5 m)



WARNING!
Danger of injury due to unpredictable movement of the compressed air hose!

Load switches in the compressed air network causes jerky movements of

the compressed air hose with high force.

- Anchor and fasten the compressed air hose sufficiently.



The prerequisite for the correct installation is the presence of a professionally-planned, installed and maintained compressed air network and an additional shut-off valve installed at the entrance to the compressed air network. Relief valves are to be placed ahead of any potential blockage point, including but not limited to shut-off valves, heat exchangers and discharge silencers. Always direct discharge from relief valves away from areas where personnel may be.

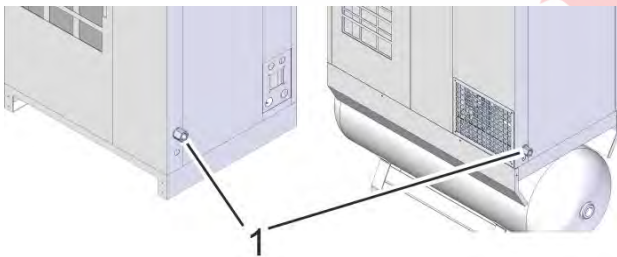


Fig. 24: Discharge port

1. Connect the compressed air according to the technical data (↪ Chapter 3 'Technical data' on page 20).
2. Ensure that the compressed air hose does not represent a stumbling hazard.
3. Anchor and fasten the flexible compressed air hose sufficiently.

5.3.4 Connecting to the power supply

Personnel: ■ Qualified Electrician



NOTICE!

Property damage to the compressor aircend due to incorrect connection of the power supply!

In case of incorrect connection of the power supply, there is a danger that the compressor aircend will be destroyed due to the drive turning incorrectly.

- Connect the power according to the wiring diagram and check the rotating field before starting the screw compressor.



The prerequisite for the correct installation are professionally-dimensioned fuses in the network supply (person/system protection) and an appropriate main switch (for switching the supply on and off).

1. Using the data in the wiring diagram, check whether the existing supply network is suitable. Voltage deviations of more than 10 % are not permitted.
2. Connect the power according to the wiring diagram and the technical data (↪ Chapter 3 'Technical data' on page 20).
3. Check correct direction of rotation by briefly starting the compressor and verifying that the rotation of the machine follows the arrows on the main motor and fan motor.
4. Ensure that the power cable does not represent a stumbling hazard.

5.4 Checking the oil level

1. Switch the screw compressor off and secure it to prevent it from being switched back on again.
2. Open and remove the enclosure panels with the special wrench.

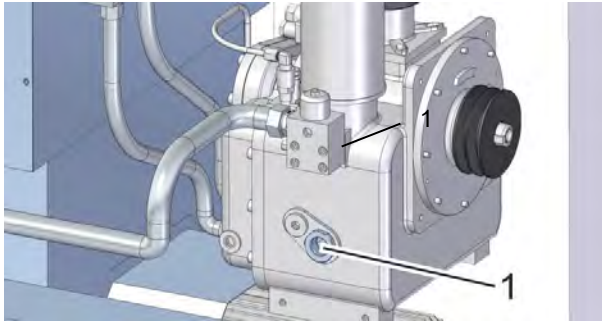


Fig. 25: Inspection glass

3. Check the inspection glass (Fig. 25/1) to make sure it is completely submerged in oil.
4. If necessary, top up oil ↪ Chapter 7.4.8 'Replacing the oil/changing the oil filter' on page 40.

5.5 Start-up lubrication of the compressor airend



NOTICE!
Risk of material damage due to a lack of oil in the compressor airend!

A lack of oil in the compressor airend after longer downtimes, e.g. between factory delivery and initial commissioning or after a longer downtime, can cause significant material damage to the screw compressor.

- Add 0.5 quarts of oil directly in the compressor airend before initial commissioning or after a longer downtime.

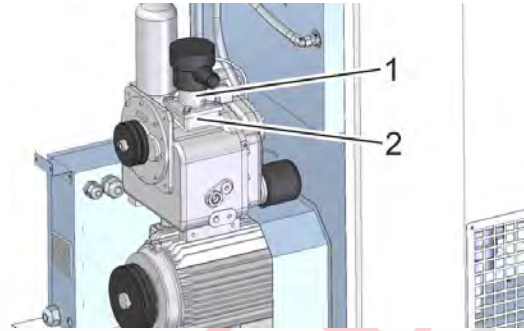


Fig. 26: Intake valve fastening screw

1. Unfasten the fastening screws on the intake valve (Fig. 26/1).



NOTICE!
Property damage due to incorrect oil!

Mixing different oils or using incorrect oils causes significant property damage to the screw compressor.

- Only use the oil prescribed in the technical data.
- For high temperature systems, use only fully synthetic oil FSC-8000.

2. Remove the intake valve.
3. Pour 0.5 quarts of oil directly into the compressor airend.
4. Re-fit the intake valve and tighten the screws (Fig. 26/1).

5.6 Switching on after installation

1. Check all connections to make sure they are installed correctly and all screws are properly fastened.
2. Make sure that there are no tools or loose objects lying in or on the machine.
3. Install the enclosure doors and make sure that they are sealed.
4. Carefully open the shut-off valve downstream of the discharge port between the screw compressor and the compressed air network.
 - ⇒ The screw compressor is now connected to the compressed air network.
5. Switch on the main switch.
6. Start the screw compressor ↻ *controller documentation*.
 - ⇒ The compressor is ready and may start up automatically at any time.

5.7 Work after the initial commissioning



WARNING!
Danger of injury from hot surfaces!

Surfaces of components can heat up a lot during operation. Skin contact with hot surfaces will cause severe skin burns.

- Wear heat-resistant protective clothing and protective gloves during all work near hot surfaces.
- Before all work, make sure that all surfaces have cooled off to the ambient temperature, wait at least 30 minutes.



CAUTION!
Danger of injury from oil vapor!

In case of high temperatures oil vapor can form. Oil vapor can irritate eyes and the respiratory system.

- When working on the oil system and if an oil vapor arises, wear breathing protection and protective goggles and ensure that there is a fresh air supply.

1. Switch the screw compressor off and secure it to prevent it from being switched back on again.
2. Open and remove the cubicle doors with the special wrench.
3. Wait until the components have cooled.
4. Check all oil and compressed air lines for leaks.
5. Remove any oil which is still in the system.
6. Tighten screws where needed.

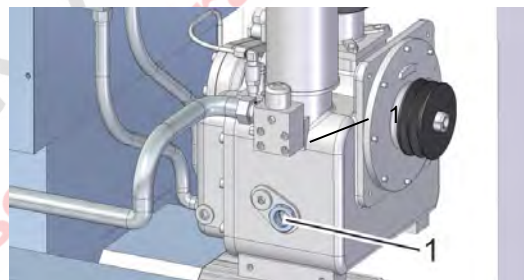


Fig. 27: Checking the oil level in the inspection glass

7. Check the oil level in the inspection glass (Fig. 27/1) and top up as described in ↻ *Chapter 7.4.3 'Checking the oil level/topping up the oil' on page 37* if necessary.
8. Install the enclosure doors and make sure that they are sealed.



NOTICE!
Risk of material damage due to too low or too high compressor temperature!

If the compressor temperature is too low or too high, the screw compressor may become damaged.

- For detailed information, contact the manufacturer.



If the compression temperature is sufficiently high, this ensures that the air humidity taken in does not form condensation. Frequent switching on and off of the screw compressor can prevent the compressor from reaching the required operating temperature ↪ Chapter 7.4.4 'Checking the build-up of condensation' on page 38.

9. Check the compressor temperature
↪ Chapter 7.4.5 'Checking the compressor temperature' on page 39.

5.8 Setting parameters



Refer to the ↪ controller documentation.

6 Operation

6.1 Safety instructions for operation

Improper operation

**WARNING!**


Danger of injury due to improper operation!

Improper operation can cause serious injury and significant material damage.

- Carry out all operating steps in accordance with the information and notices in this manual.
- Pay attention to the following points before starting work:
 - Ensure that all covers and safety devices are installed and work properly.
 - Ensure that that no one is in the danger zone.
 - Never override or bridge safety features during operation.

6.2 Controller

**Controller documentation**

Refer to the  controller documentation for information on how the screw compressor is operated.

7 Maintenance

7.1 Safety instructions for maintenance

Electrical system



DANGER!
Danger to life from electric power!

Contact with live parts may prove fatal. When switched on, electric components may be subject to uncontrolled movements and may cause grave injury.

- Switch off the main power supply before starting work and make sure that it cannot be switched on again. Use a lock out and tag out process.

Moving parts



WARNING!
Danger of injury from moving parts!

Rotating parts and/or parts moving in linear fashion may cause serious injuries.

- Before carrying out any maintenance work on moving parts, shut down the machine and take precautions to prevent restarting. Wait until all parts have stopped moving.
- When in the danger zone, wear close-fitting protective work clothing with low tear strength.

Securing to prevent restart



WARNING!
Danger to life from an unauthorized restart!

In the event of an unauthorized restart of the power supply during

maintenance, there is a danger of serious injuries or death for persons in the danger zone.

- Switch off all power supplies before starting work and make sure they cannot be switched on again. Use a lock out and tag out process.

Hot surfaces



WARNING!
Danger of injury from hot surfaces!

Surfaces of components can heat up a lot during operation. Skin contact with hot surfaces will cause severe skin burns.

- Wear heat-resistant protective clothing and protective gloves during all work near hot surfaces.
- Before all work, make sure that all surfaces have cooled off to the ambient temperature, wait at least 30 minutes.

Improperly performed maintenance



WARNING!
Danger of injury due to improperly performed maintenance!

Improperly performed maintenance may lead to serious injury and significant material damage.

- Provide for sufficient mounting clearance before starting to work.
- Keep the assembly area tidy and clean! Loose components and tools lying around or on top of each other may lead to accidents. Keep dirt away from parts and exposed openings by covering with clean

- cloth or Kraft paper.
- Do not use flammable solvents for cleaning parts
 - When reinstalling previously removed components, make sure that the components are mounted properly, all fixing elements are reinstalled, and all screws are tightened to torque.
 - Before putting the machine back into operation:
 - make sure that all maintenance work has been performed and completed following the instructions and information provided in this manual.
 - make sure that no persons are still in the danger zone of the machine.
 - make sure that all covers and safety devices have been installed and function properly.
 - Be sure that no tools, rags or loose parts are left in or on the compressor or drive parts.

Compressed air



WARNING!
Danger of injury from compressed air!

Compressed air can escape from compressed air hoses or components under pressure in case of improper handling or in case of a fault. It can injure eyes, whip up dust or cause uncontrolled movements of hoses.

Components under pressure can move in uncontrolled fashion with improper handling and cause injuries.

- Before removing hoses or

components under pressure, make sure the pressure is relieved.

- Have faulty components that are under pressure during operation replaced by appropriate specialist personnel immediately.
- Before all work, make sure that the compressor is not under pressure; wait at least 5 minutes.

Oil vapor



CAUTION!
Danger of injury from oil vapor!

In case of high temperatures or mechanical dust, oil vapor can form. Oil vapor can irritate eyes and the respiratory system.

- When working on the oil system and if an oil vapor arises, wear breathing protection and protective goggles and ensure that there is a fresh air supply.

Accumulations of liquid



CAUTION!
Danger of injury from slipping in accumulations of liquid!

Slipping in accumulations of liquid on the floor may result in a fall. A fall may result in injuries.

- Remove accumulations of liquid immediately using appropriate means.
- Wear anti-slip safety shoes.
- Post warnings and mandatory signs at or in the vicinity of any area where liquid could accumulate on the floor.

Environmental protection

Observe the following environmental protection instructions during maintenance work:

- In respect of all lubrication points supplied manually with lubricant, remove any escaping, used or surplus grease and dispose of in accordance with applicable local, state and federal regulations.
- Catch replaced oils in suitable containers and dispose of in accordance with applicable local, state and federal regulations.

7.2 Spare parts



WARNING!
Risk of injury due to using wrong spare parts!

Using incorrect or faulty spare parts brings dangers to the personnel and can cause damages, malfunctions or complete failure.

- Only use genuine spare parts supplied by the manufacturer or manufacturer-approved spare parts.
- If in doubt, always contact the manufacturer.



Loss of warranty

The use of non-approved spare/replacement parts will invalidate the warranty.

Procure replacement parts from authorized dealers or directly from the manufacturer.

Please refer to the Parts list for accurate part number information.

7.3 Maintenance schedule

The next sections describes the maintenance work that is required for optimal and fault-free operation of the machine.

Insofar as increased wear can be detected during regular checks, the required maintenance intervals must be shortened according to the actual signs of wear. For questions about maintenance work or intervals contact the manufacturer.

Nx (4-15kW) MAINTENANCE SCHEDULE*

DESCRIPTION	PART #	QTY	DLY.	WKLY.	YRLY	SERVICE INTERVALS (HOURS)														
						50	500	2 000	4 000	6 000	8 000	10 000	12 000	14 000	16 000	18 000	20 000	22 000	24 000	
Check sump oil level (fill if necessary)			•																	
Check pressure operating point and controls			•																	
Check oil scavenger line for oil flow			•																	
Drain condensate from air receiver			•																	
Check pressure relief valve for operation ³																				
Drain condensate from sump				•																
Inspect/clean air suction filter element				•																
Inspect/clean panel filters				•																
Inspect/clean finned surface of cooler(s)				•																
Check for loose fittings and fasteners						•														
Inspect hoses for signs of wear ⁴				•																
Change oil filter		1				•	•	•	•	•	•	•	•	•	•	•	•	•	•	•
Oil sample	VO701 -POL	1				•		•		•		•		•		•		•		•
Motor bearing lubrication								•	•	•	•	•	•	•	•	•	•	•	•	•
Inspect anti-vibration pads									•		•		•		•		•		•	
Inspect drive coupling									•		•		•		•		•		•	
Belt Tensioning/Replacement ⁵				•	•	•		•		•		•		•		•		•		•

DESCRIPTION	PART#	QTY	DLY.	WKLY.	YRLY	SERVICE INTERVALS (HOURS)												
						500	2 000	4 000	6 000	8 000	10 000	12 000	14 000	16 000	18 000	20 000	22 000	24 000
2000/ 6000 Hour Service Kit	FSK-26NX4-6	1					•		•		•		•		•		•	
	FSK-26NX8-15																	
4000 Hour Service Kit	FSK-4NX4-6	1						•				•					•	
	FSK-4NX8-15																	
8000 Hour Service Kit	FSK-8NX4-6	1									•				•			•
	FSK-8NX15-15																	
Change Lubricant ² FSC-MaxFluid	FSC-8000	5 USG			•						•				•			•

Notes:

- 1) Change oil yearly if operating under 8000 h. Lubricant may require more frequent changes depending on operating environment, especially high temperatures, and running conditions. Refer to Appendix 10.2 Oil change intervals at elevated temperatures.
 - 2) Do not tamper with relief valve setting - it is factory set - only check operation! Tampering will void warranty and result may cause severe injury or death.
 - 3) Replace as necessary or every 5 years.
 - 4) Visual check weekly. Re-tension and re-align 50 hours after belt change. Check tension and alignment every 500 hours thereafter. Change belts every 4,000 hours or as needed. Refer to the FS-Curtis Technical Bulletin #W 20151213-TB003 for detailed instructions on belt replacement, tensioning, and pulley alignment.
- * The maintenance intervals described herein are for normal operating condition in clean and well ventilated environments. Frequency of intervals will increase for non-standard environments. Please contact your authorized FS-CURTIS distributor for more information and recommendations.

Service Kits:

2000 & 6000 Hours = inlet air filter + oil-filter
 4000 Hours = inlet air filter + oil-filter + air/oil separator
 8000 Hours = inlet air filter + oil-filter + air/oil separator + inlet vlv. kit + thermo-vm kit + min. pres. vlv. kit + enclosure filters

7.4 Maintenance work



Necessary maintenance work

Necessary maintenance work appears on the display of the controller as a warning ↗ Controller documentation.

Observe all safety instructions and precautions as described in this manual, and in particular section ↗ 2.3 General safety and 7.1 Safety instructions for maintenance.

7.4.1 Checking for leaks

1. Close compressed air network-side gate valve and secure against re-opening.
2. Open and remove the enclosure panels with the special wrench.
3. Check all lines and the base for leaks.
4. If there is oil in the system, remove it.
5. Check the connectors of the components and tighten the screws.

7.4.2 Checking the electrical connections

Personnel: ■ Qualified Electrician



DANGER! Danger to life from stored charges!

Electric charges may be stored in electrical components; these charges may be maintained even after the system has been switched off and disconnected from the power supply. Contact with these components may result in serious or fatal injury.

- Before working on the specified components, ensure that they have been completely disconnected from the power supply. Allow 10 minutes to elapse in order to ensure that the internal capacitors have been fully

discharged.

1. Close the shut-off valve on the pressure network side and secure it to prevent it from being opened again.
2. Open and remove the enclosure panels with the special wrench.
3. Check all electrical connections and tighten if necessary.

7.4.3 Checking the oil level/topping up the oil

Checking the oil level

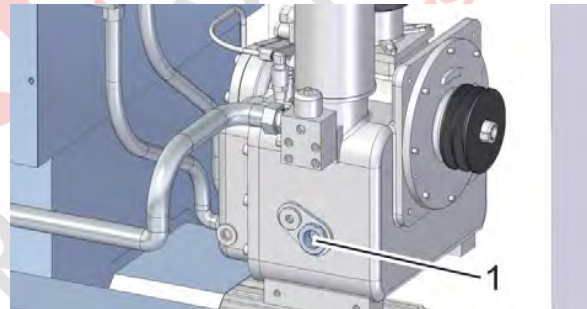


Fig. 28: Inspection glass

1. Close the shut-off valve on the pressure network side and secure it to prevent it from being opened again.
2. Open and remove the cubicle doors with the special wrench.
3. Check the inspection glass (Fig. 28/1) to make sure it is completely submerged in oil
4. If the inspection glass is not completely submerged, the oil will need to be topped up.

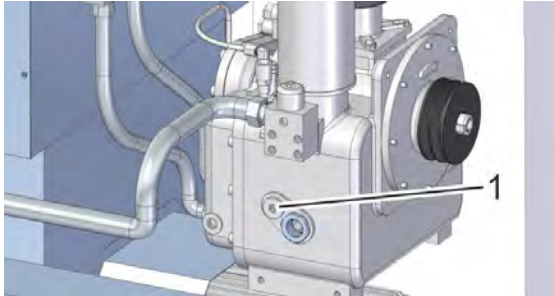
Topping up the oil


Fig. 29: Filler plug

1. Close the shut-off valve on the pressure network side and secure it to prevent it from being opened again.
2. Open and remove the enclosure panels with the special wrench.
3. Use a drip pan to make sure that the leaking oil is collected.
4. Unfasten the filler plug (Fig. 29/1), remove it and make sure that the gasket is not misplaced.



NOTICE!
Property damage due to incorrect oil!

Mixing different oils or using incorrect oils causes significant property damage to the screw compressor.

- Only use the oil prescribed in the technical data.
- For high temperature systems, use only fully synthetic oil FSC-8000.

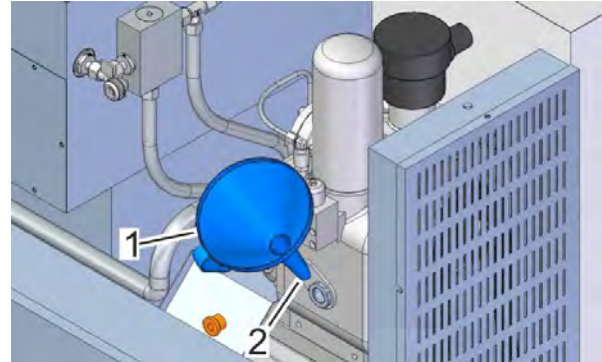


Fig. 30: Filler pluge

5. Use a funnel (Fig. 30/1) to top up the oil to the filling edge on the filler plug (Fig. 30/3).
6. Position the gasket and check that it is firmly in place.
7. Insert the screw plug (Fig. 30/2) and tighten.

7.4.4 Checking the build-up of condensation



If the compression temperature is sufficiently high, this ensures that the air humidity taken in does not form condensation. Frequent switching on and off of the screw compressor can prevent the compressor from reaching the required operating temperature.



NOTICE!
Risk of material damage from condensate in the oil circuit!

Condensate in the oil circuit can cause the destruction of the compressor airend.

- In case of condensate in the oil separator tank, contact our service department immediately.

1. Close the shut-off valve on the pressure network side and secure it to prevent it from being opened again.
2. Open and remove the enclosure panels with the special wrench.
3. Use a drip pan to make sure that the leaking oil is collected.



Condensate is heavier than the oil

Since the condensate is heavier than the oil, after longer downtimes, it collects on the bottom of the oil separator tank.

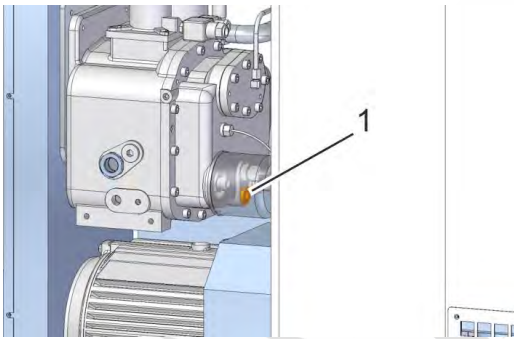


Fig. 31: Oil drain

4. Carefully open the oil drain (Fig. 31/1) and check the liquid being drained.
5. Slowly drain condensate until oil escapes.
6. Close the oil drain (Fig. 31/1).
7. Switch on the compressor and switch it off again within one minute ↪ *controller documentation*.
8. Check the oil level and top up as necessary ↪ *Chapter 7.4.3 'Checking the oil level/topping up the oil' on page 37.*

7.4.5 Checking the compressor temperature



NOTICE!

Property damage due to compressor temperature that is too low or too high!

A compressor temperature that is too low or too high can cause damage to the screw compressor.

- For detailed information, contact the manufacturer.



- The compressor temperature should be between 158 and 212F (70 °C and 100 °C).
- At 221F (105 °C) a warning is put out.
- At 230F (110 °C) the screw compressor is switched off automatically.

1. Check compressor temperature.

7.4.6 Inspect/clean coolers

1. Close the shut-off valve on the pressure network side and secure it to prevent it from being opened again.
2. Open and remove the enclosure panels with the special wrench.
3. Check after cooler and oil cooler from inside and outside for dirt.
4. Clean cooler surfaces.



Dirt can be removed by blowing it out. While doing this, make sure that the dirt from the device is blown

*out of rather than into the machine.
In case of severe dirt buildup,
consult the manufacturer.*

7.4.7 Checking the drive unit

1. Close the shut-off valve on the pressure network side and secure it to prevent it from being opened again.
2. Open and remove the enclosure panels with the special wrench.
3. Visually check the drive unit.
 - ⇒ In case of visible defects, contact the manufacturer.

7.4.8 Replacing the oil/changing the oil filter

Replace the oil

1. Close the shut-off valve on the pressure network side and secure it to prevent it from being opened again.
2. Open and remove the enclosure doors with the special wrench.
3. Use a drip pan to make sure that the leaking oil is collected.

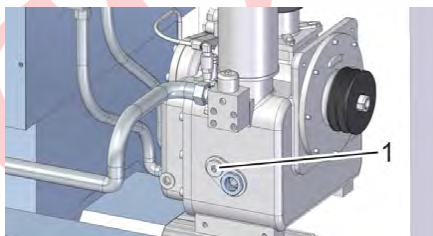


Fig. 32: Filler nozzle

4. Unfasten the filler nozzle (Fig. 32/1), remove it and make sure that the gasket is not misplaced.

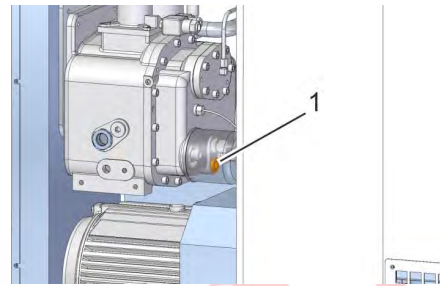


Fig. 33: Oil drain

5. Open the oil drain (Fig. 33/2).
 - ⇒ The oil is drained.
6. Close the oil drain (Fig. 33/2).



NOTICE!

Property damage due to incorrect oil!

Mixing different oils or using incorrect oils causes significant property damage to the screw compressor.

- Only use the oil prescribed in the technical data.
- For high temperature systems, use only fully synthetic oil FSC-8000.

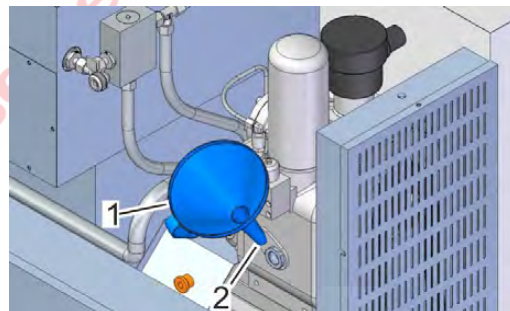


Fig. 34: Filler nozzle

7. Use a funnel (Fig. 34/1) to top up the oil to the filling edge on the filler nozzle (Fig. 34/3).
8. Position the gasket and check that it is firmly in place.
9. Insert the screw plug (Fig. 34/2) and tighten.

10. Switch on the compressor and switch it off again without waiting any longer than one minute ↪ *controller documentation*.
11. Check the oil level and top up as necessary ↪ *Chapter 7.4.3 'Checking the oil level/topping up the oil' on page 37.*

Replace the oil filter

1. Close the shut-off valve on the pressure network side and secure it to prevent it from being opened again.
2. Open and remove the enclosure panels with the special wrench.
3. Use a drip pan to make sure that the leaking oil is collected.

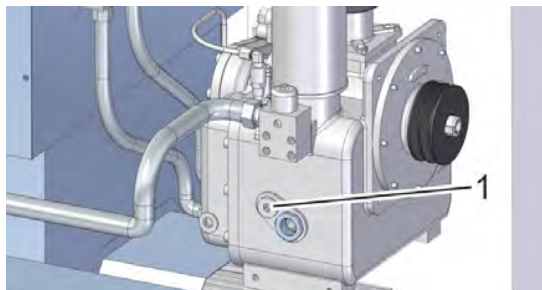


Fig. 35: Filler nozzle

4. Unfasten the filler nozzle (Fig. 35/1), remove it and make sure that the gasket is not misplaced.

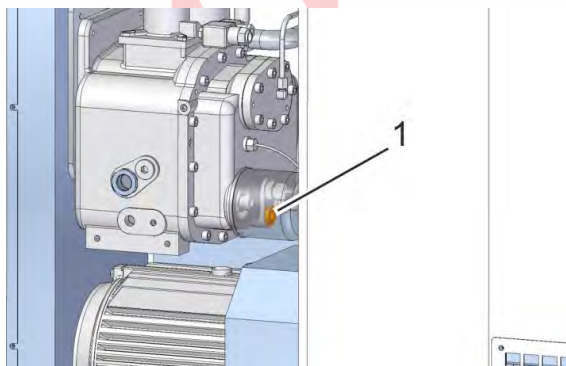


Fig. 36: Oil drain

5. Open the oil drain (Fig. 36/1).

⇒ The oil is drained.

6. Close the oil drain (Fig. 36/1).

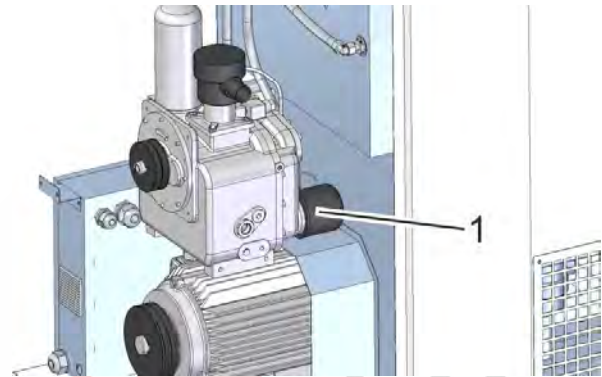


Fig. 37: Removing the oil filter

7. Use the strap wrench to unfasten and remove the old oil filter (Fig. 37/1).
8. Remove old gasket remains from the oil filter housing.
9. Moisten the new gasket with a little oil.
10. Screw in the new oil filter (Fig. 37/1) all the way.
11. Tighten the new oil filter (Fig. 37/1) half a turn by hand.
12. Switch on the compressor and switch it off again without waiting any longer than one minute ↪ *controller documentation*.
13. Check the oil level and top up as necessary ↪ *Chapter 7.4.3 'Checking the oil level/topping up the oil' on page 37.*

7.4.9 Replacing the air/oil separator

1. Close the shut-off valve on the pressure network side and secure it to prevent it from being opened again.
2. Open and remove the enclosure panels with the special wrench.
3. Use a drip pan to make sure that the leaking oil is collected.

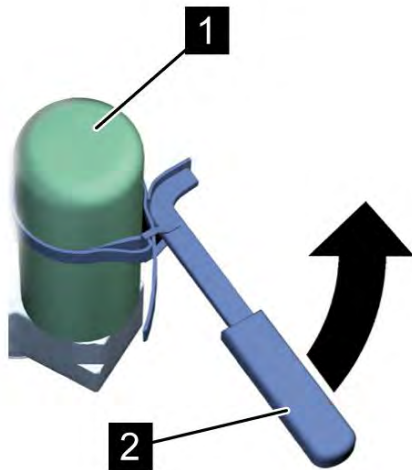


Fig. 38: Unfastening the air/oil separator

4. Use the strap wrench (Fig. 38/2) to unfasten and remove the air/oil separator (Fig. 38/1).
5. Remove old gasket remains from the air/oil separator.
6. Moisten the new gasket with a little oil.

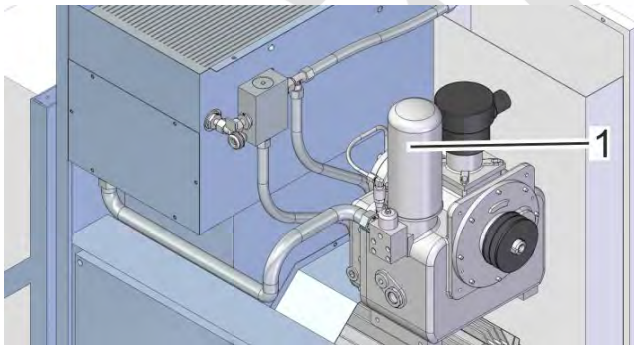


Fig. 39: Air/oil separator

7. Screw in the new air/oil separator (Fig. 39/1) up to the stop.
8. Tighten the new air/oil separator (Fig. 39/1) half a turn by hand.

7.4.10 Replacing the intake filter

Standard intake filter

1. Close the shut-off valve on the pressure network side and secure it to prevent it from being opened again.
2. Open and remove the enclosure panels with the special wrench.

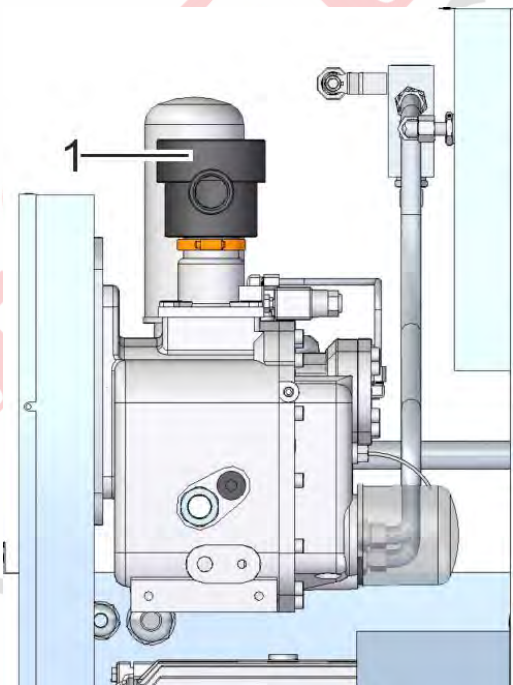



Fig. 40: Unfastening the clamp on the intake filter

3. Unscrew and remove the cover from the intake filter (Fig. 40/1).
4. Remove the old filter element.
5. Insert the new filter element.
6. Screw the cover back on the intake filter (Fig. 40/1).
7. Unfasten the intake filter (Fig. 40/1).

7.5 Measures after maintenance has been performed

After completion of the maintenance work and before switching the machine on, carry out the following steps:

1. Check whether all previously-removed protective equipment and covers have been replaced properly.
2. Ensure that all tools, materials and other equipment used have been removed from the work area.
3. Carefully open the compressed air network-side shut-off valve.
4. Clean the work area and remove any substances such as liquids, processing material or similar that may have escaped.
5. Ensure that all safety equipment on the machine functions perfectly.
6. Document work on the machine in the maintenance log (See available  *Service and maintenance log*)

COMPRESSED AIR ADVISORS
— www.compressedairadvisors.com —

8 Faults

The following section describes possible causes of faults and the work to remedy them.

In case of faults that occur more than once, shorten the maintenance intervals according to the actual utilization.

In case of faults that cannot be remedied using the following instructions, contact the manufacturer.

8.1 Safety instructions for fault clearance

Electrical system



DANGER!
Danger to life from electric power!

Contact with live parts may prove fatal. When switched on, electric components may be subject to uncontrolled movements and may cause grave injury.

- Switch off the power supply before starting work and make sure that it cannot be switched on again.

Securing to prevent restart



WARNING!
Danger to life from an unauthorized restart!

In the event of an unauthorized restart of the power supply while tracking down and rectifying a fault, there is a danger of serious injuries or death for persons in the danger zone.

- Switch off all power supplies before starting work and make sure they cannot be switched on again.

Improperly executed troubleshooting work



WARNING!
Danger of injury from improper troubleshooting!

Improperly executed troubleshooting work may result in serious injury and significant damage to property.

- Ensure sufficient assembly space before starting work.
- Pay attention to orderliness and cleanliness in the assembly location! Loosely stacked or scattered components and tools could cause accidents.
- If components have been removed, pay attention to correct assembly, refit all fixing elements and comply with bolt tightening torques.
- Before the restart, ensure that
 - all troubleshooting work has been carried out and completed in accordance with the information and instructions in this manual.
 - no persons are in the danger zone.
 - all covers and safety devices are installed and functioning properly.

Hot surfaces



WARNING!
Danger of injury from hot surfaces!

Surfaces of components can heat up a lot during operation. Skin contact with hot surfaces will cause severe skin burns.

- Wear heat-resistant protective clothing and protective gloves

during all work near hot surfaces.

- Before all work, make sure that all surfaces have cooled off to the ambient temperature, wait at least 30 minutes.

Compressed air



WARNING!

Danger of injury from compressed air!

Compressed air can escape from compressed air hoses or components under pressure in case of improper handling or in case of a fault. It can injure eyes, whip up dust or cause uncontrolled movements of hoses.

Components under pressure can move in uncontrolled fashion with improper handling and cause injuries.

- Before removing hoses or components under pressure, make sure the pressure is relieved.
- Have faulty components that are under pressure during operation replaced by appropriate specialist personnel immediately.
- Before all work, make sure that the compressor is not under pressure; wait at least 5 minutes.

Oil vapor



CAUTION!

Danger of injury from oil vapor!

In case of high temperatures oil vapor can form. Oil vapor can irritate eyes and the respiratory system.


- When working on the oil system and if an oil vapor arises, wear breathing protection and protective goggles and ensure that there is a fresh air supply.

Behavior in the event of faults

The following applies in principle:

1. Immediately initiate an emergency stop in the event of faults posing an immediate danger to people or property.
2. Ascertain the cause of the fault.
3. If fault rectification requires work in the danger zone, shut down the machine and secure to prevent restarting.
Immediately notify those responsible at the place of use about the fault.
4. Depending on the nature of the fault, have it rectified by authorized specialized personnel or rectify it yourself.

8.2 Fault displays

Refer to the  *controller documentation* for information on fault displays.

8.3 Fault table

Fault description	Cause	Remedy
Compressor temperature too high	Intake or ambient temperature too high	Ventilate compressor room
	Cooling air intake or outlet blocked	Unblock cooling air intake or outlet sufficiently
	Oil is soiled	Change oil ↪ <i>Chapter 7.4.8 'Replacing the oil/changing the oil filter' on page 40</i>
	Oil low	Top up oil ↪ <i>Chapter 7.4.3 'Checking the oil level/topping up the oil' on page 37</i>
	Oil cooler soiled	Clean oil cooler ↪ <i>Chapter 7.4.6 'Inspect/clean coolers' on page 39</i>
Network pressure drops	Compressed air consumption higher than flow capacity of the screw compressor	Screw compressor with greater flow capacity necessary
	Intake filter clogged	Replace intake filter ↪ <i>Chapter 7.4.10 'Replacing the intake filter' on page 42</i>
	Bleeder valve blows during compression	Check bleeder valve and replace gaskets if necessary
	Intake valve does not open	Check magnet valve and plunger and replace if necessary
	Leaks in the compressed air network	Seal up the compressed air network
Screw compressor blows via safety valve	Minimum pressure valve blocked	Clean or replace minimum pressure valve
	Safety valve faulty	Check safety valve and replace if necessary
	Air/oil separator clogged	Change air/oil separator ↪ <i>Chapter 7.4.9 'Replacing the air/oil separator' on page 41</i>
"Overpressure fault" or "Network pressure too high"	Air/oil separator clogged	Change air/oil separator ↪ <i>Chapter 7.4.9 'Replacing the air/oil separator' on page 41</i>
	Higher outside pressure present in compressed air network	Balance out outside pressure or disconnect from the network

Fault description	Cause	Remedy
Screw compressor does not start automatically or does not discharge after previous switching-off by reaching the final pressure or from idle.	Network pressure set too high	Reset network pressure ↗ <i>Controller documentation</i>
	Interruption in the power circuit	Check power circuit for interruption
	Ambient temperature below +34F (+1 °C), message "Oil temperature too low"	Install additional heating or temper compressor room and also contact the manufacturer
	Switching times are activated in the circuitry	Check switching and pressure times in the circuitry ↗ <i>Controller documentation</i>
System does not start up when the start key is pressed	Network pressure greater than switch-on pressure	Heed network pressure and change settings ↗ <i>Controller documentation</i>
	Symbol "remote" flashes	Remote control activated ↗ <i>Controller documentation</i>
	Lacking voltage on the screw compressor	Check whether there is voltage
	Electrical fault in the controller	Check controller
	Switching times are activated in the circuitry	Check switching and pressure times in the circuitry ↗ <i>Controller documentation</i>
Compressed air contains a lot of oil (oil consumption too high)	Return line for the oil is blocked	Clean or replace return line for the oil ↗ 'Clean/replace return line' on page 48
	Flawed air/oil separator	Change air/oil separator ↗ Chapter 7.4.9 'Replacing the air/oil separator' on page 41
System stops before reaching the final pressure	Overheating or overpressure	Remedy fault ↗ <i>Controller documentation</i>
	Interruption in the control power circuit	Check power circuit
Pressure drop	Pressure difference of the filter too high	Replace filter

— www.

8.4 Work for fault clearance

Clean/replace return line

1. Switch the screw compressor off and secure it to prevent it from being switched back on again.
2. Close the shut-off valve on the pressure network side and secure it to prevent it from being opened again.
3. Open and remove the enclosure panels with the special wrench.
4. Use a drip pan to make sure that the leaking oil is collected.

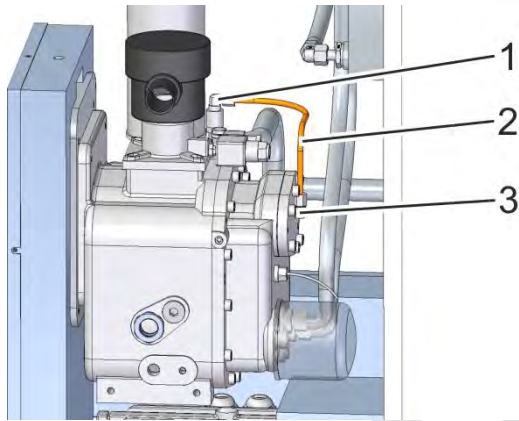


Fig. 41: Return line

5. Unfasten the return line (Fig. 41/1) on the air/oil separator (Fig. 41/2) and the compressor airend (Fig. 41/3).

6. Clean the return line (Fig. 41/1) and nozzle. If necessary, replace them with original spare parts (↪ *Parts List*).
7. Place the nozzle and return line (Fig. 41/1) back in position and tighten the screw connections.

8.5 Commissioning after remedied fault

After remedying the fault, carry out the following steps for re-commissioning:

1. Reset emergency stop equipment.
2. Acknowledge fault ↪ *Controller documentation*.
3. No persons are in the danger zone.
4. Start the screw compressor ↪ *Controller documentation*.

9 Index

A

Air/oil separator	11
Assemblies	
Air/oil separator	11
Compressed air after-cooler	12
Compressor airend	10
Cooler	12
Cooling air fan	12
Drive unit, direct drive	10
Drive unit, V-belt drive	9
Fresh air fan	12
Heat exchanger	12
Intake filter	10
Minimum pressure and non-return valve	11
Oil cooler	12
Oil filter	12
Oil separator tank	11
Water cooling	12

B

Brief description	9
-------------------------	---

C

Checking the build-up of condensation	38
Compressor airend	10
Connecting the current	27
Connecting the power supply	27
Consumables	21
Coolant liquid	21
Coolant liquid filter	12
Cooler	12
Cooling air fan	12
Copyright	3
Customer service	3

D

Description of function	9
Drive unit	9
Dryer	13

E

Emergency stop button	17
Environmental protection	
Coolant liquid	17
Lubricants	17
Explanation of symbols	14

F

Fault displays	45
Fault table	46
Filler nozzle	11
Forced ventilation and bleeding system	26

I

Inspection at delivery	22
Installation	
Forced ventilation and bleeding system	26
Ventilation	25
Installation conditions	25
Installation location	25
Intake filter	10
Interfaces	13
Discharge port	13
Media	13

L

Limitation of liability	3
-------------------------------	---

M

Maintenance	
Changing the oil filter	40
Checking the build-up of condensation	38

Checking the oil level	37	Relief valves.....	17
Oil change	40	Replacing the intake filter	42
Replacing the intake filter.....	42		
Replacing the oil.....	40	S	
Replacing the oil filter.....	40	Safety.....	14
Topping up the oil.....	37	Safety devices.....	16
Minimum pressure and non-return valve	11	Serial tag.....	20
		Shipping spacers	25
O		Sight glass	11
Oil		Spare parts	34
replacing.....	40	Storage	23
topping up	37	Symbols	
Oil drain.....	11	on the machine.....	18
Oil filter		on the packaging.....	22
replacing.....	40	T	
Oil level	37	Technical data	
Oil separator tank	11	Consumables	21
Operating conditions.....	21	Oil	21
Overview		Transportation.....	23
of the components.....	8	U	
of the screw compressor.....	7	Use.....	15
		V	
P		Ventilation	25
Packaging	22		
Proper use	15		
R			
Relief valve	11		

10 Appendix

10.1 Bolt tightening torque requirements

Lock screw/nuts				
B 158/193/196/251 design or similar				
Thread	Category 8.8	Unit	Category 10.9	Unit
M 5	3.69 (5)	lbf ft (Nm)	7.38 (10)	lbf ft (Nm)
M 6	5.9 (8)	lbf ft (Nm)	13.28 (18)	lbf ft (Nm)
M 8	14.75 (20)	lbf ft (Nm)	32.45 (44)	lbf ft (Nm)
M 10	29.5 (40)	lbf ft (Nm)	64.17 (87)	lbf ft (Nm)
M 12	50.89 (69)	lbf ft (Nm)	111.37 (151)	lbf ft (Nm)
M 16	125.39 (170)	lbf ft (Nm)	280.27 (380)	lbf ft (Nm)

Lock screw/nuts				
DIN 912/931/933/934/982 design or similar				
Thread	Category 8.8	Unit	Category 10.9	Unit
M 5	4.43 (6)	lbf ft (Nm)	6.27 (8.5)	lbf ft (Nm)
M 6	7.38 (10)	lbf ft (Nm)	10.33 (14)	lbf ft (Nm)
M 8	18.44 (25)	lbf ft (Nm)	25.81 (35)	lbf ft (Nm)
M 10	36.14 (49)	lbf ft (Nm)	50.89 (69)	lbf ft (Nm)
M 12	63.43 (86)	lbf ft (Nm)	88.51 (120)	lbf ft (Nm)
M 16	154.89 (210)	lbf ft (Nm)	217.58 (295)	lbf ft (Nm)

10.2 Oil change intervals at elevated temperatures

Discharge temperature	FSC-8000 Change interval	FSC-4000FG Change interval
Up to 180F	8000 Hrs	4000 Hrs
180 to 190F	6000 Hrs	3000 Hrs
190 to 200F	4000 Hrs	2000 Hrs
200 to 210F	2000 Hrs	1000 Hrs



COMPRESSED
AIR ADVISORS
— www.compressedairadvisors.com —

COMPRESSED
AIR ADVISORS
Inc.

Compressed Air Advisors, Inc.

Phone: 877.247.2381

info@compressedairadvisors.com

www.compressedairadvisors.com
