

COMPRESSED AIR ADVISORS

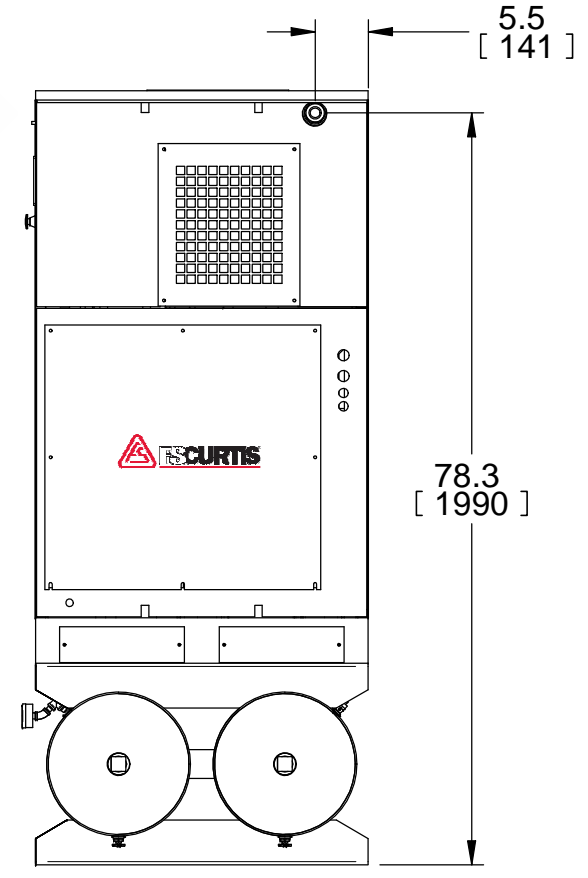
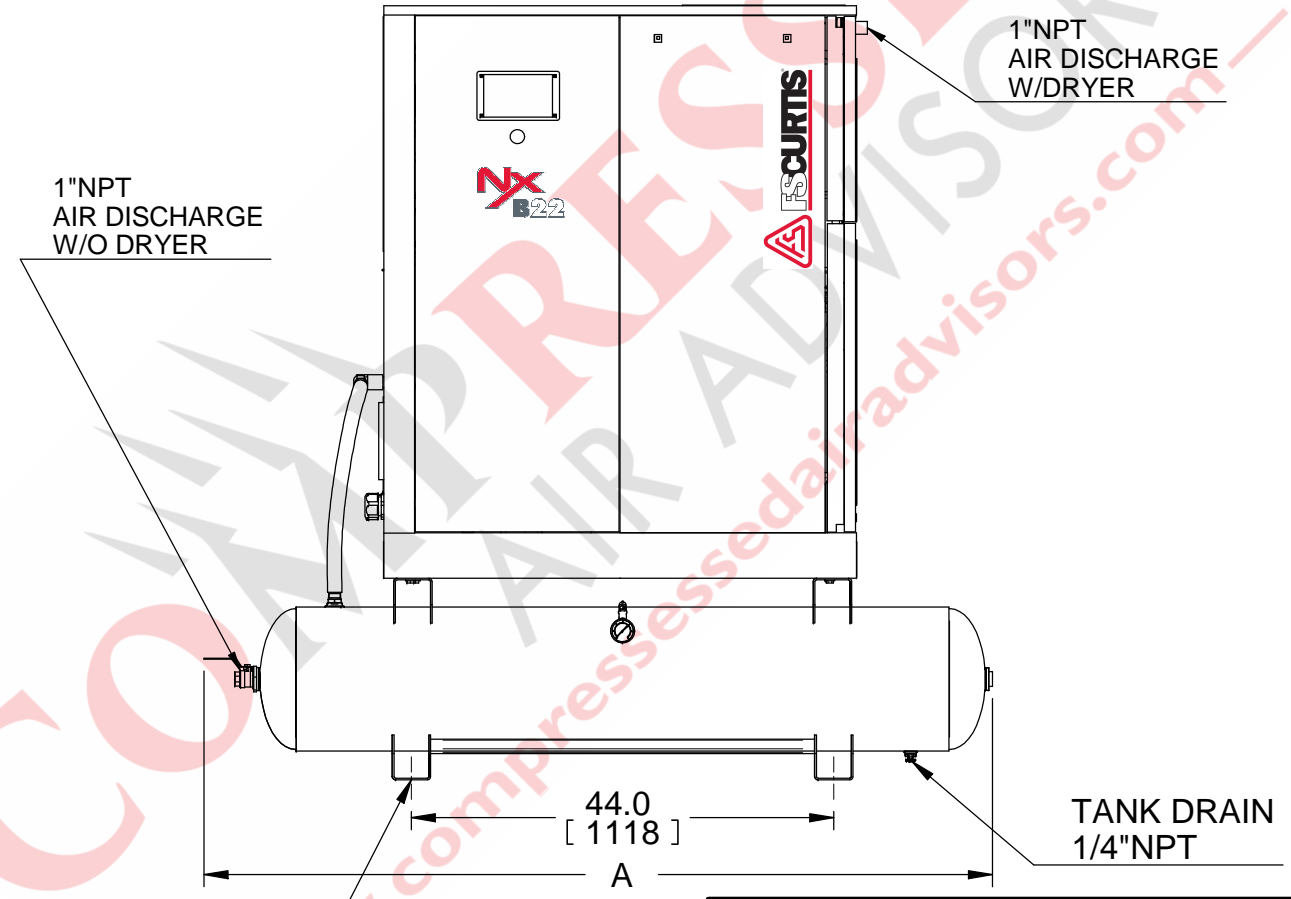
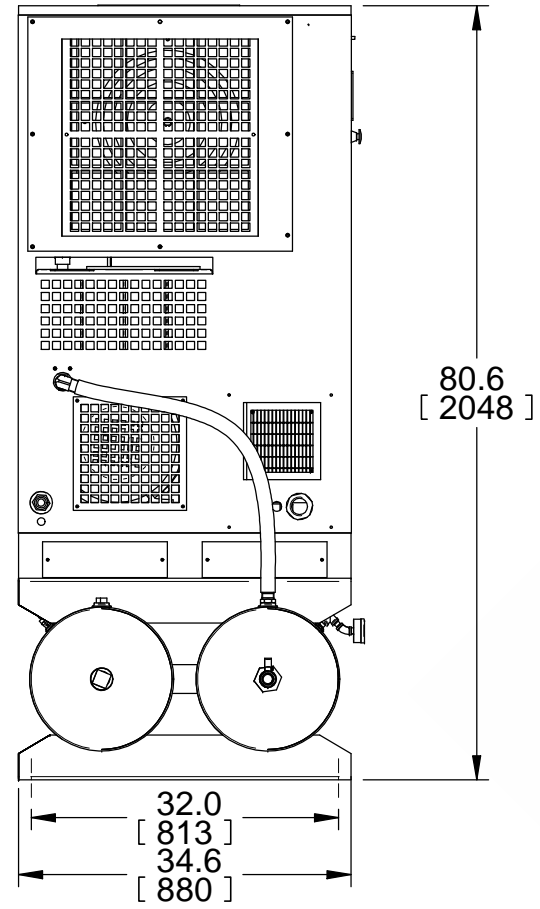
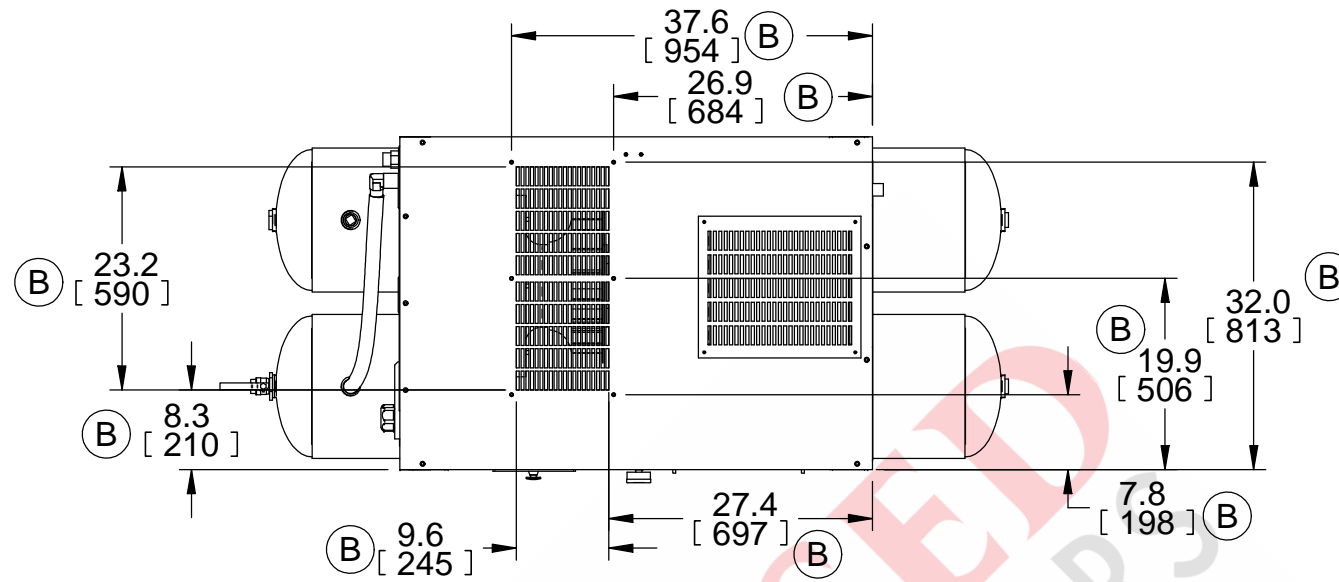
Inc.

Compressed Air Advisors, Inc.

Phone: 877.247.2381

info@compressedairadvisors.com

www.compressedairadvisors.com



DIMENSIONS	
	A
NON DRYER OPTION	77.2 [1962]
DRYER OPTION	82.4 [2093]

SLOT 9/16" X 1" 4 PLACES

TOLERANCE UNLESS NOTED
 DECIMALS xx = ±.010; xxx = ±.005
 FRACTIONS
 FORMED OR CAST = ±1/32
 MACHINED = ±1/64
 ANGULAR AND PARALLELISM
 FORMED OR CAST = ±.5°
 MACHINED = ±1°
 SURFACE FINISH
 REMOVE ALL BURRS
 DO NOT SCALE DRAWING

13585	B	Added: Top view. Exhaust dimensions.			1/22/16	AG	VN
-	A	New Release			3/12/15	AG	VN
ECN No.	Revision	Modification			Date	By	App
Drawing standard	ANSI	ANSI B4.1	Scale	1:20	Drawing status		Released
Higher level assembly	NX	-	Unit	in	Current revision		B
Model	NX	Weight	1917/1984 lbm		Description		
Drawn	AG	Date	3/12/15		NX 18-22 Tank Mounted 120 Gal Comp GA Drawing		
Verified	VN	Date	3/12/15		Part number		FCA3411
Approved	ZF	Date	3/12/15		Sheet		1 of 1
					Projection method		Third angle
Distribution, utilization or the communication to third parties without our approval obliged to pay damages and is punishable to all the applicable laws. We reserve all rights in the case of patent award or utility entry Curtis Toledo, Inc., 1905 Kienlen Avenue, St. Louis, MO, 63133, United States.							