

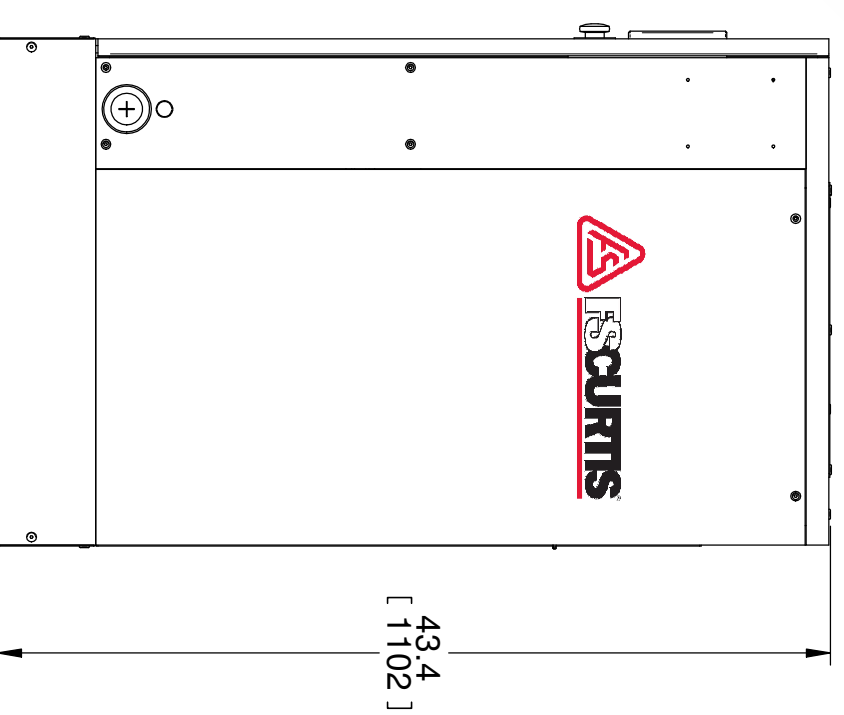
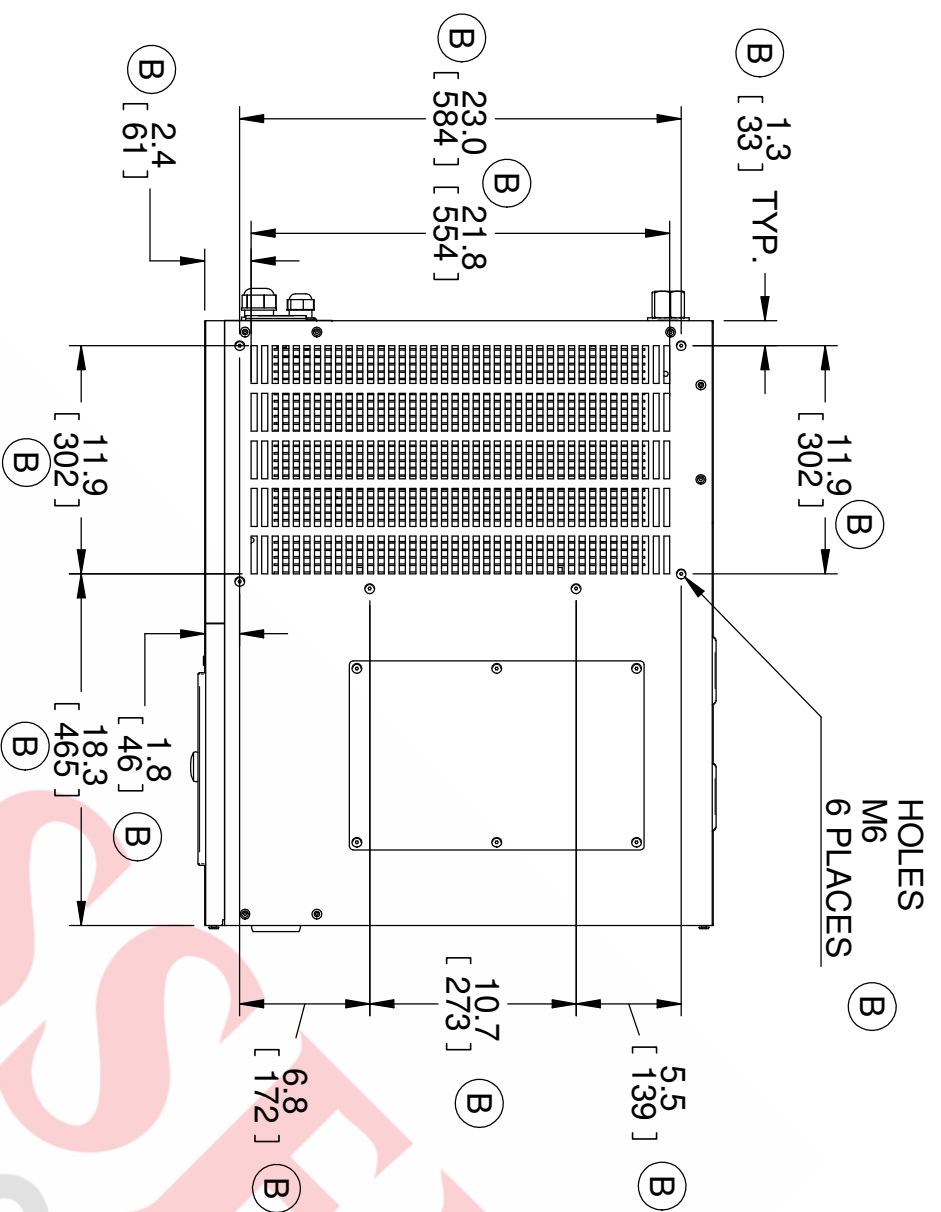
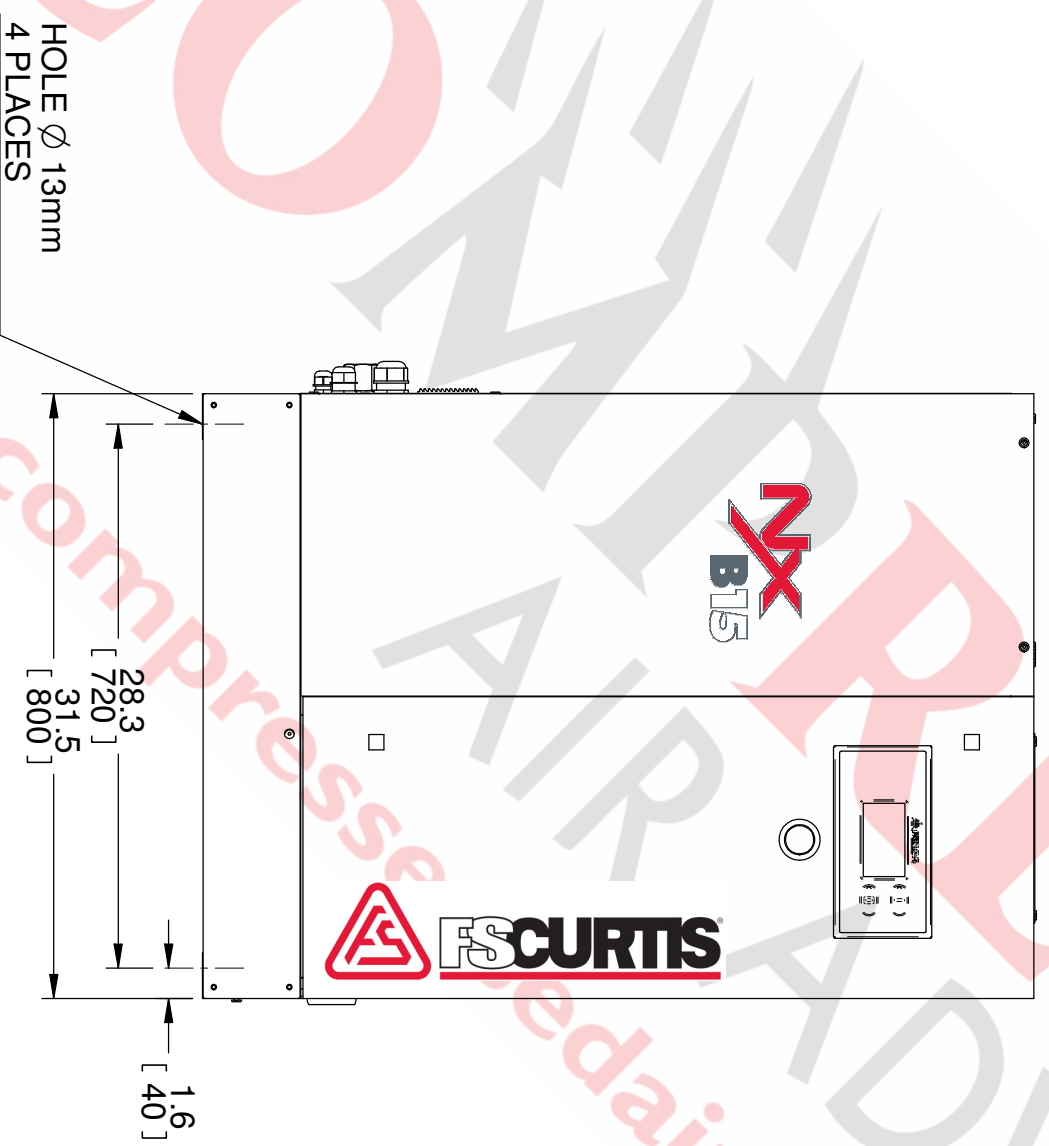
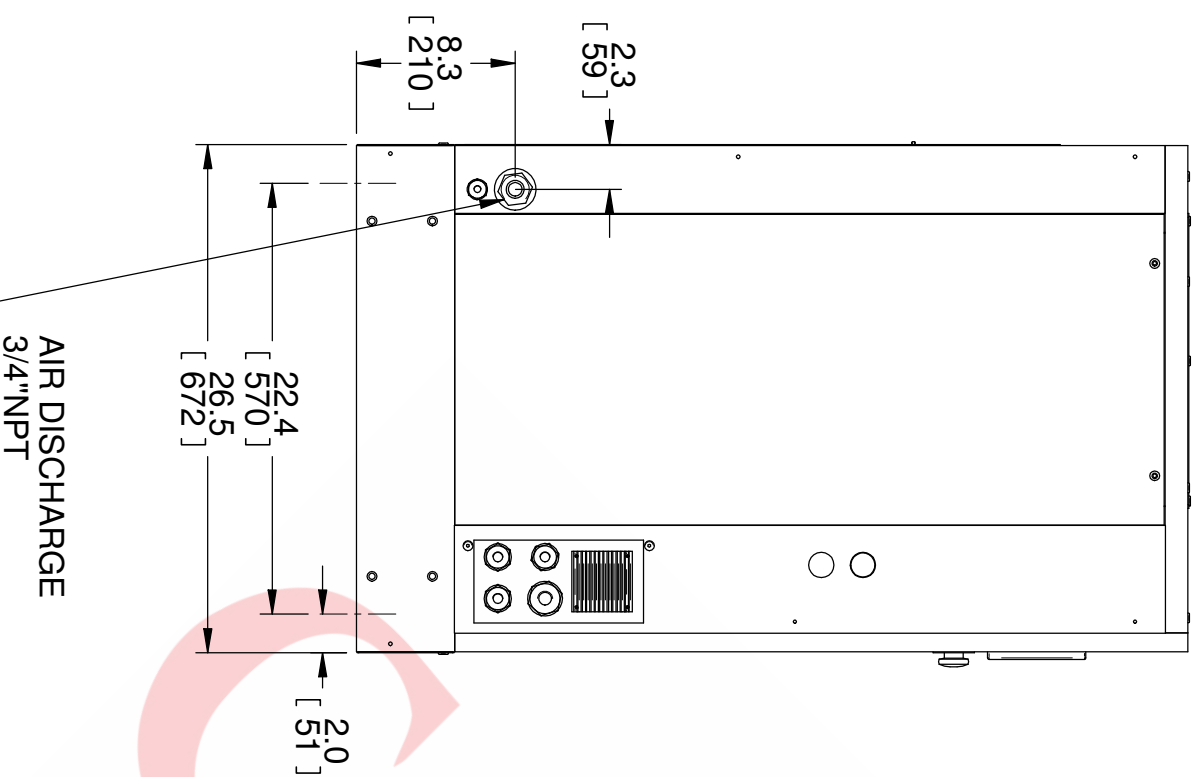
COMPRESSED AIR ADVISORS Inc.

Compressed Air Advisors, Inc.

Phone: 877.247.2381

info@compressedairadvisors.com

www.compressedairadvisors.com



TOLERANCE UNLESS NOTED
 DECIMALS - ±.015, .005 ±.005
 FRACTIONS
 FORMED OR CAST - ±.1/32
 MACHINED - ±.1/64
 ANGULAR AND PARALLELISM
 FORMED OR CAST - ±.5°
 MACHINED - ±1°
 SURFACE FINISH
 REMOVE ALL BURRS
 DO NOT SCALE DRAWING

13385	B	Added Top View, Exhaust Dimensions.	10/13/15	AG	VN
	A	New Release	3/12/15	AG	VN
ECN No.	Revision Modification		Date	By	App
Drawing Standard	ANSI B4.1				
ANSI	Scale		Drawing Status		
	1:10		Released		
Register new assembly	Material		Description		
NX	Steel Form		NX 8-15 Compressor Only GA Drawing		
NX	Finish		Serial Number		
AG	3/12/15		FCAS406		
VN	3/12/15		Third angle		
VN	1 of 1		SCURTIS		
AG	3/12/15		Distribution, utilization of the communication to third parties without our approval obliges and is punishable to all the applicable laws.		
VN	3/12/15		We reserve all rights in the case of patent award or utility entry Curtis Toledo, Inc., 1905 Kerlan Avenue, St. Louis, MO, 63133, United States.		