

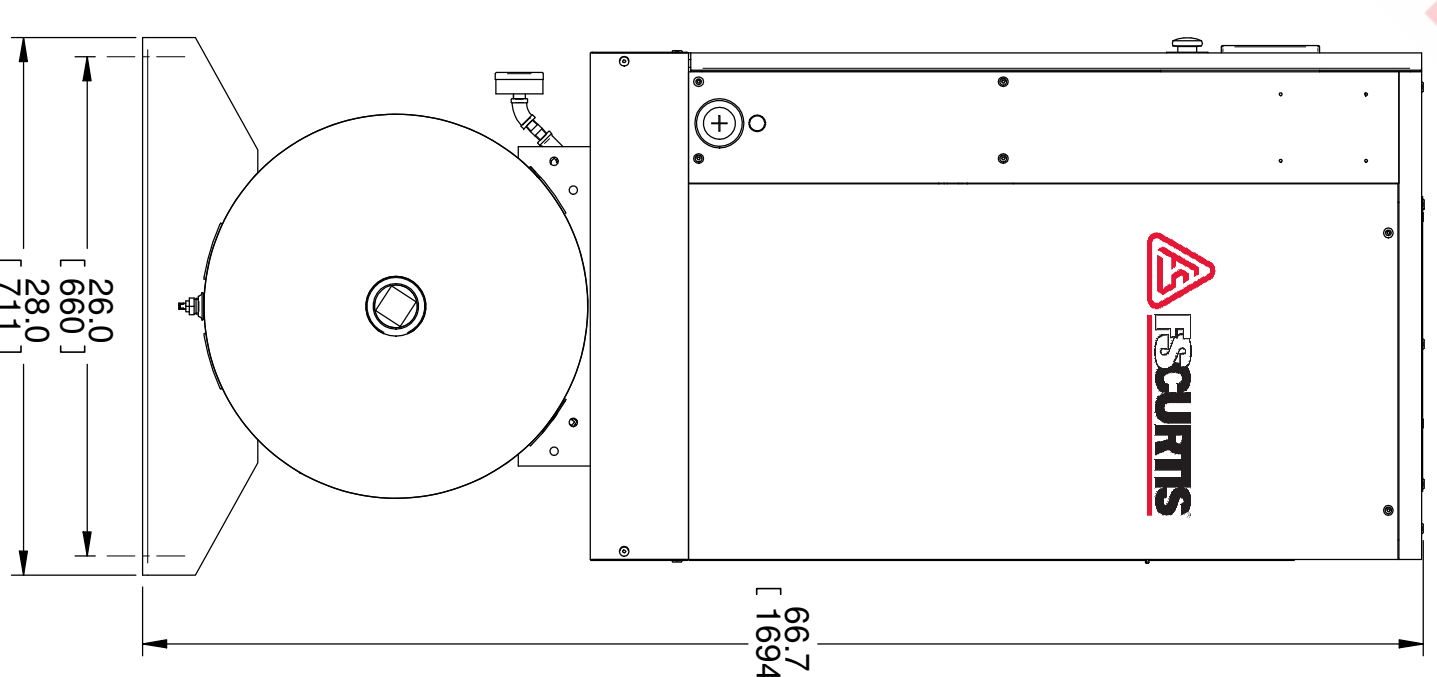
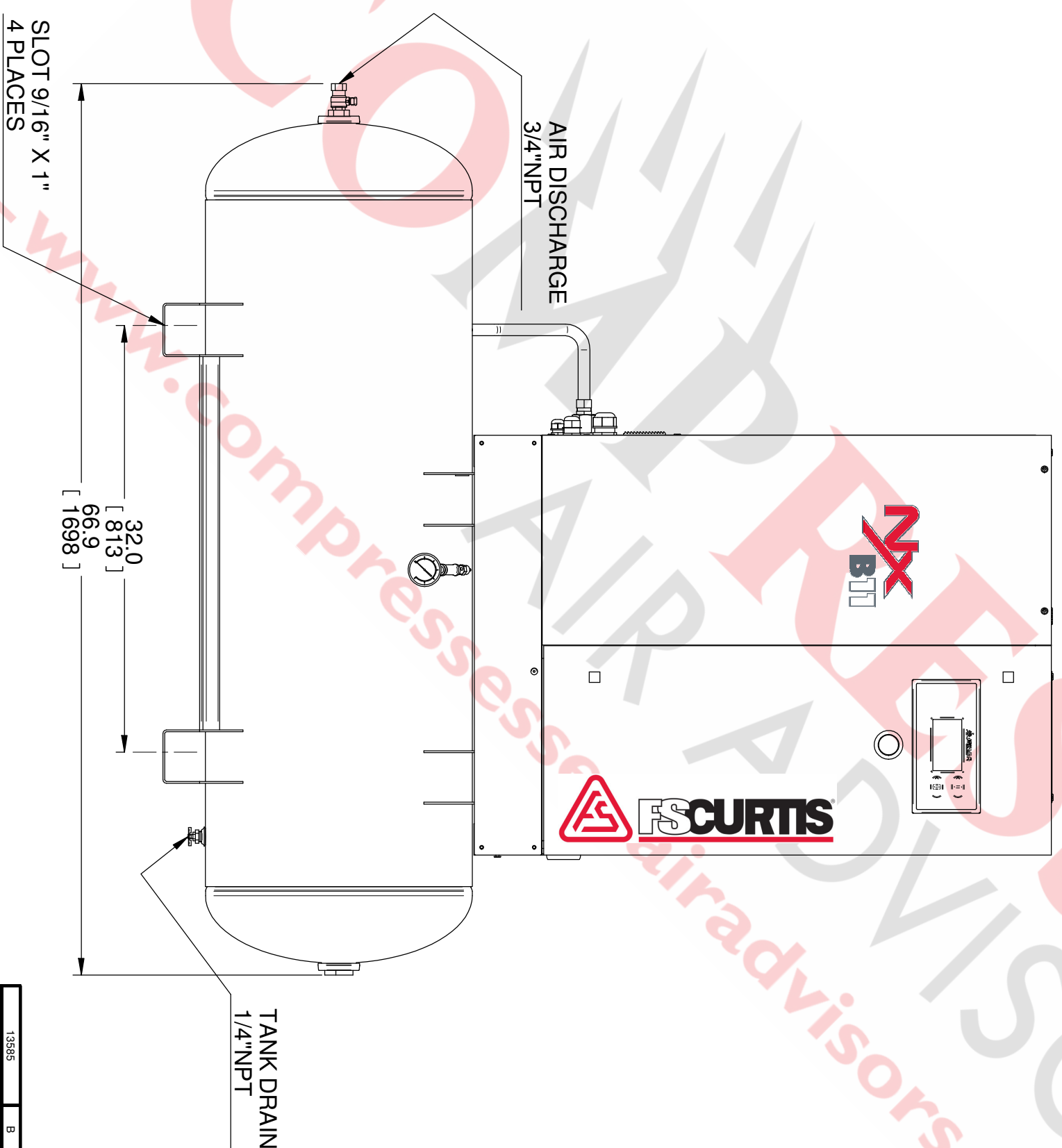
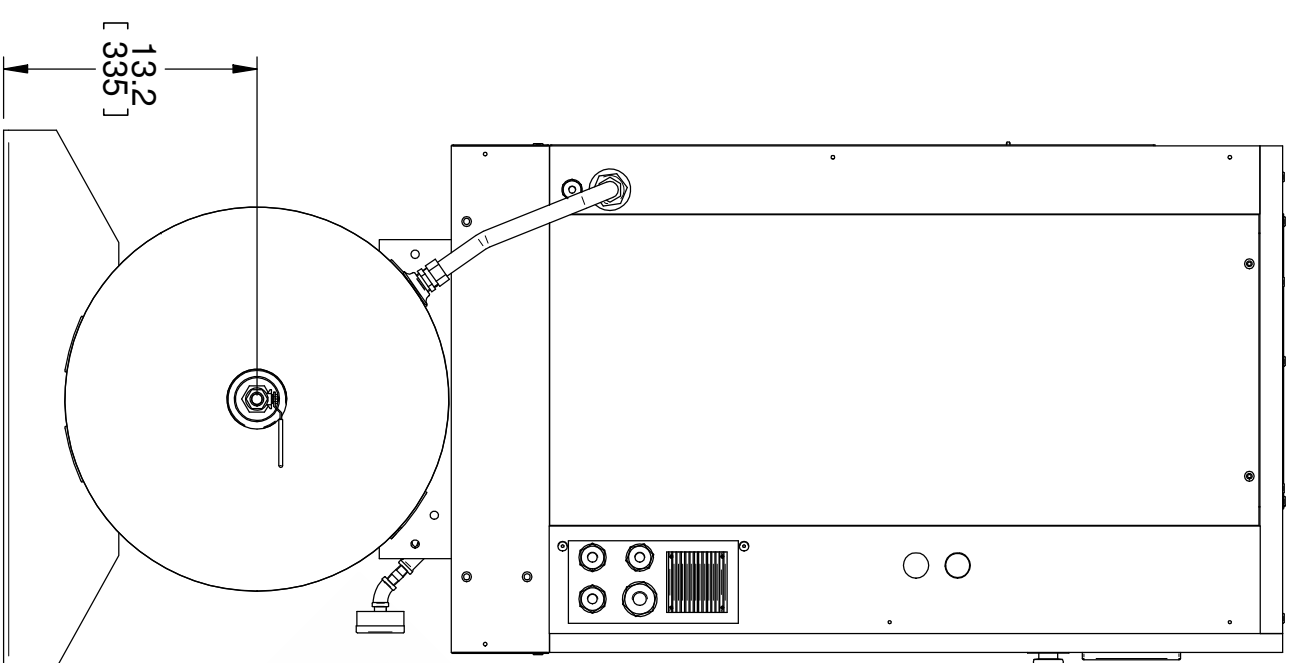
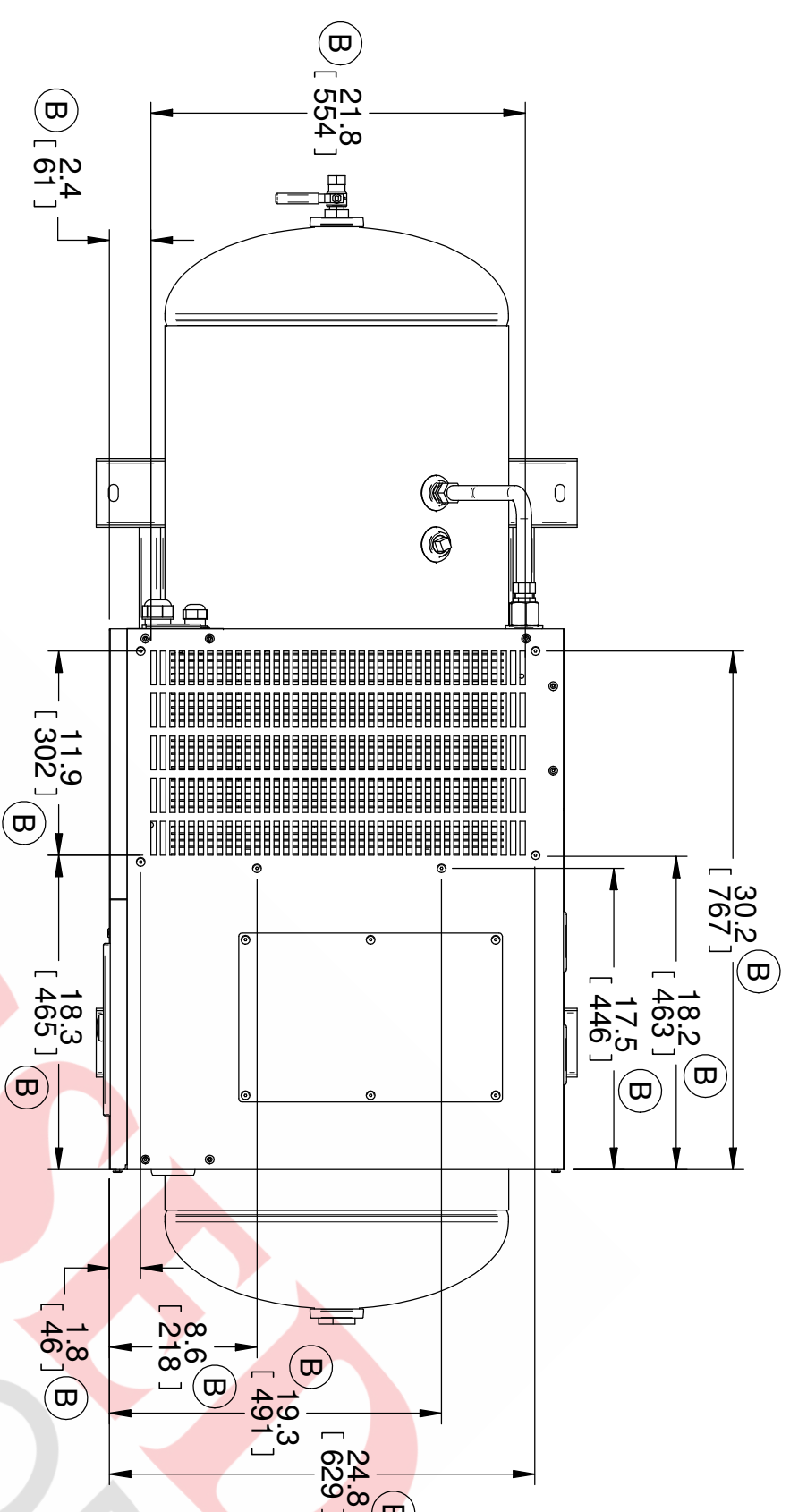
# COMPRESSED AIR ADVISORS Inc.

Compressed Air Advisors, Inc.

Phone: 877.247.2381

info@compressedairadvisors.com

www.compressedairadvisors.com



TOLERANCE UNLESS NOTED:  
 DECIMALS - ±.010, .005 ±.005  
 FRACTIONS - ±.010, .005 ±.005  
 FORMED OR CAST - ±.1/32  
 MACHINED - ±.1/64  
 ANGULAR AND PARALLELISM  
 FORMED OR CAST - ±.5°  
 MACHINED - ±.1°  
 SURFACE FINISH  
 REMOVE ALL BURRS  
 DO NOT SCALE DRAWING

13395		B	Revised Top View Exhaust Dimensions	1/22/16	AG	VN
13314	A	New Release		3/12/15	AG	VN
ECN No.	Revision	Modification		Date	By	App
ANSI	ANSI B4.1	General Tolerances	Released			
Register new assembly	Material	Weight	Description	Part Number		
NX	-	0.0 lbm	NX 8-15 Tank Mounted 80 Gal with Comp GA Drawing	FCAC408		
NX	Material	Size	Finish	Part Number		
AG	Steel Form	3/12/15	C			
VN	3/12/15	1 of 1				
ZE	3/12/15					
Third angle						

Distribution, utilization or the communication to third parties without our approval obligates to pay damages and is punishable to all the applicable laws. We reserve all rights in the case of patent award or utility entry Curtis Toledo, Inc., 1905 Kersten Avenue, St. Louis, MO, 63133, United States.